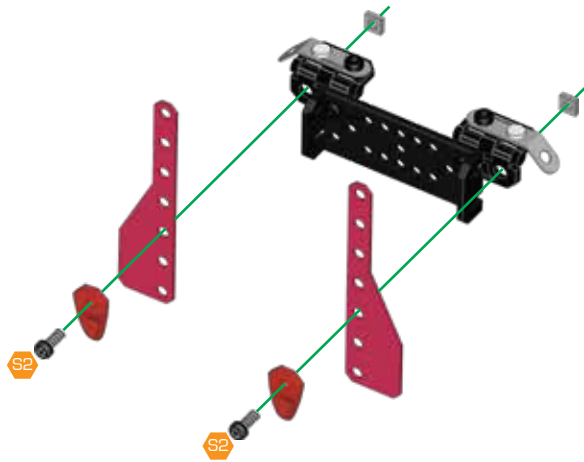


13

- x 2
- x 2
- x 2
- x 2

0 5 10 15 20 mm

9.5 mm

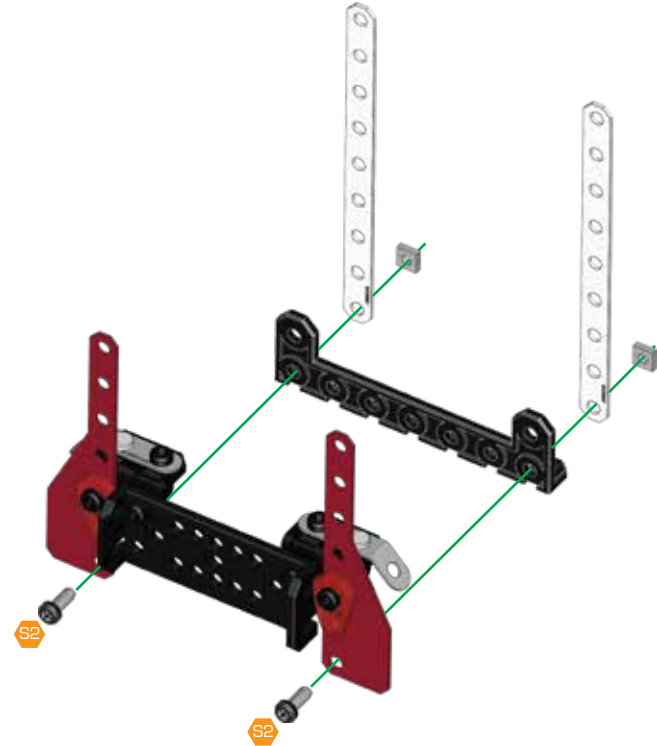


14

- x 2
- x 2
- x 1
- x 2

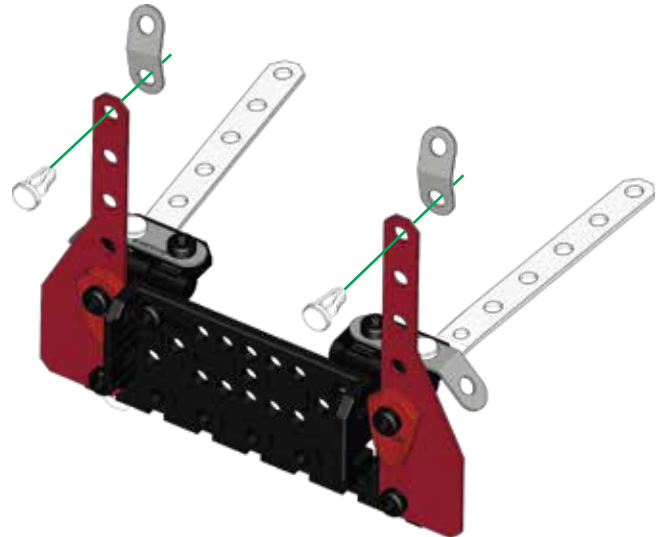
0 5 10 15 20 mm

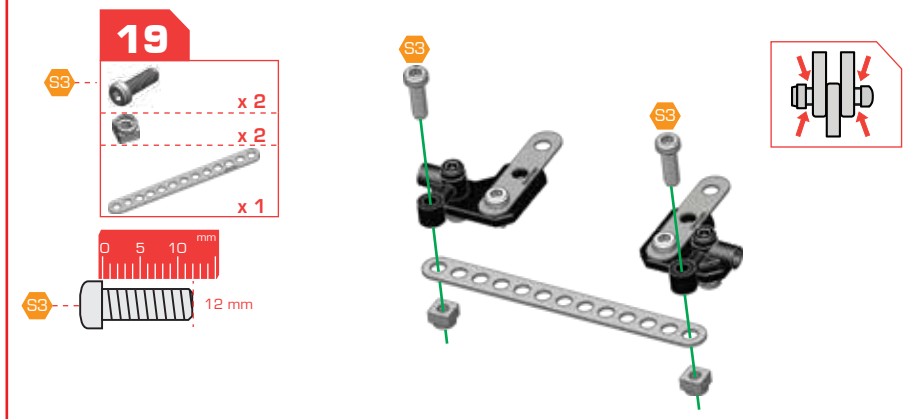
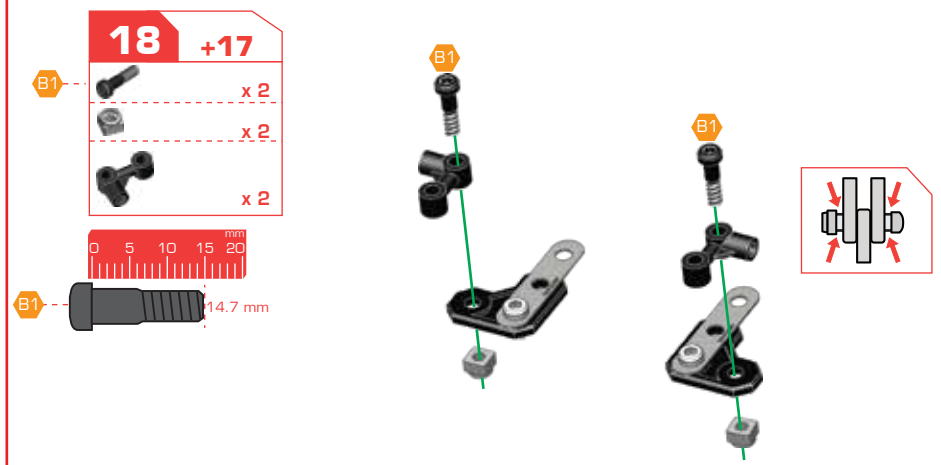
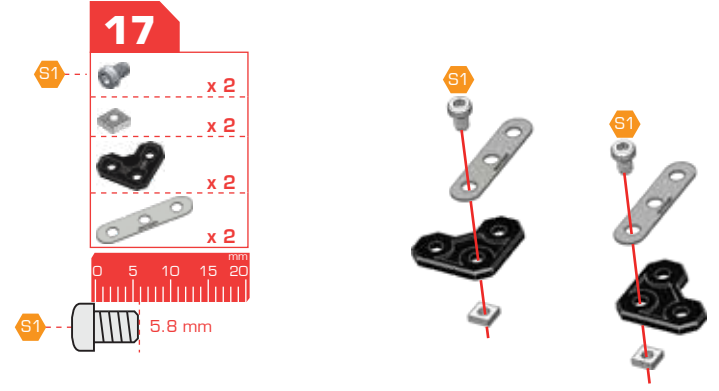
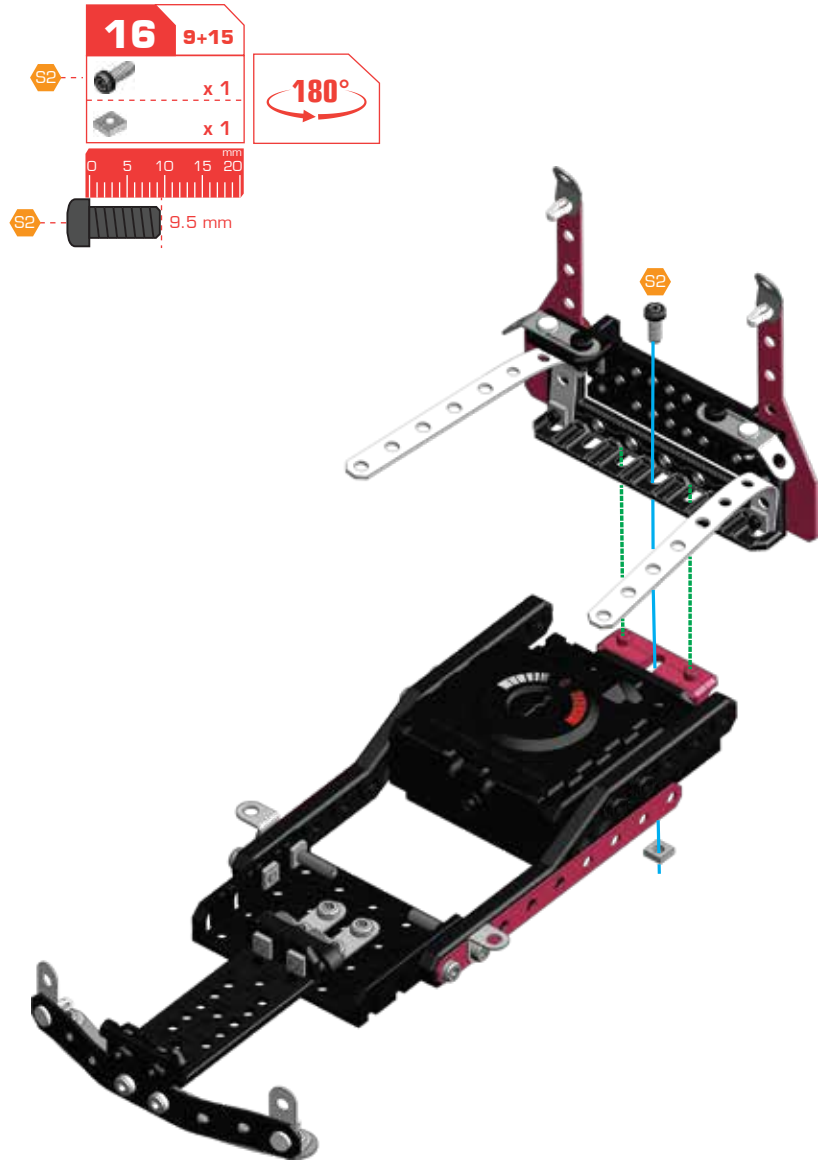
9.5 mm

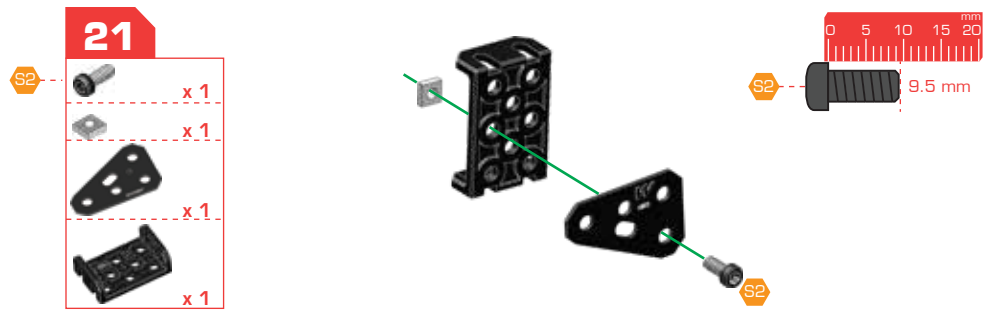
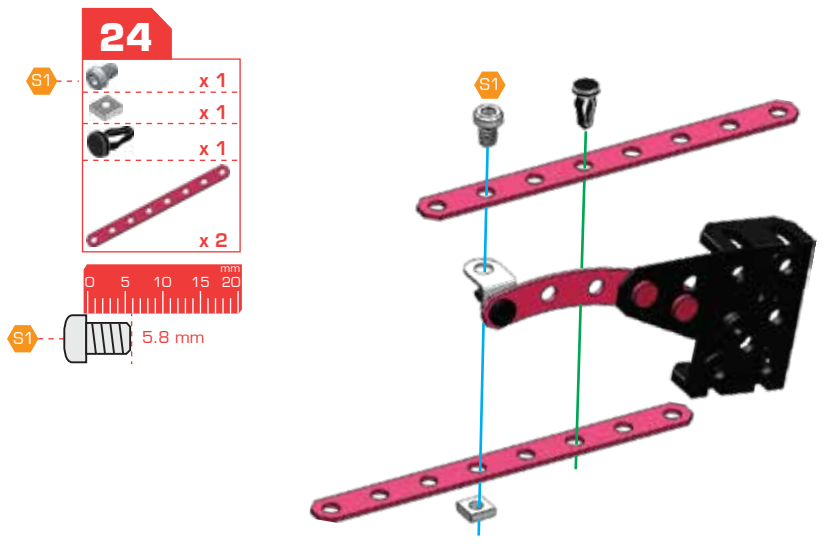
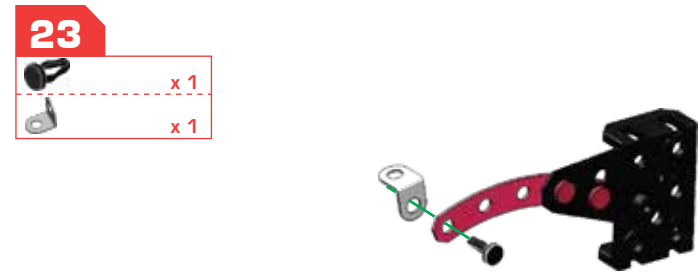
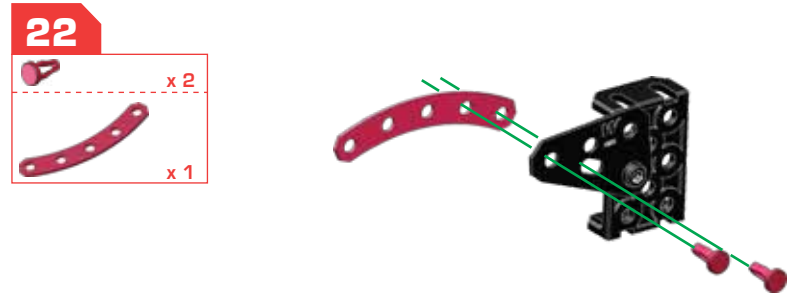
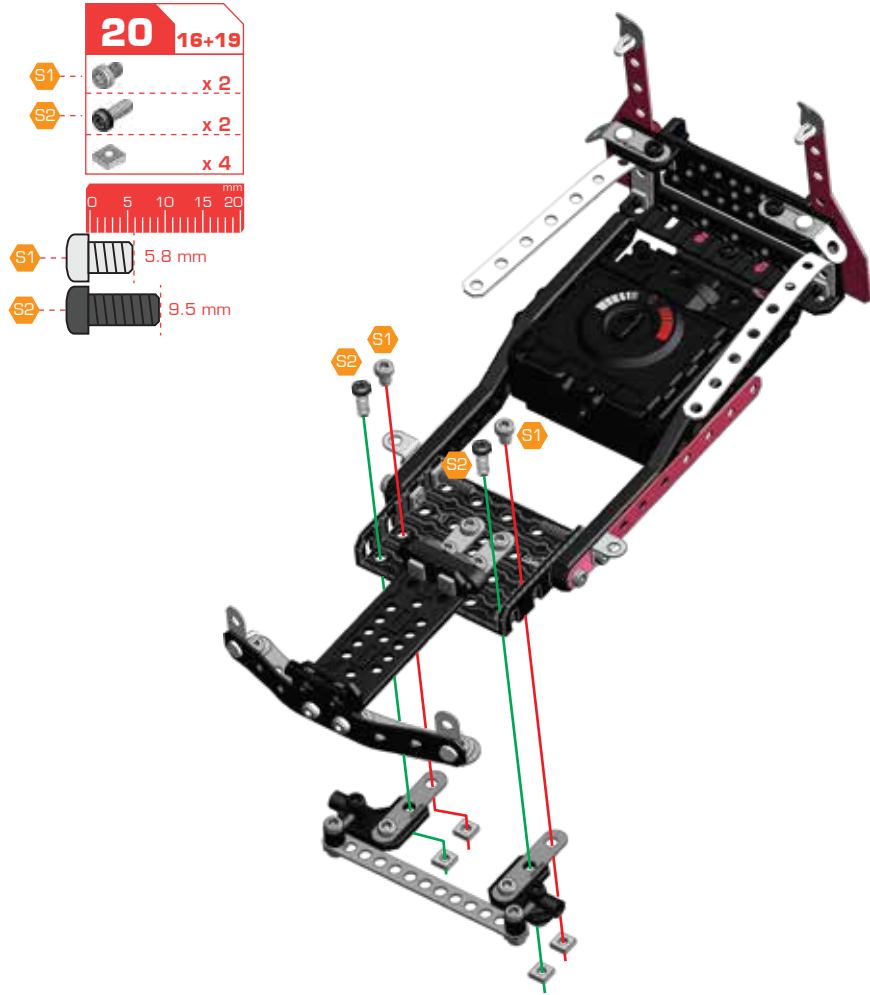


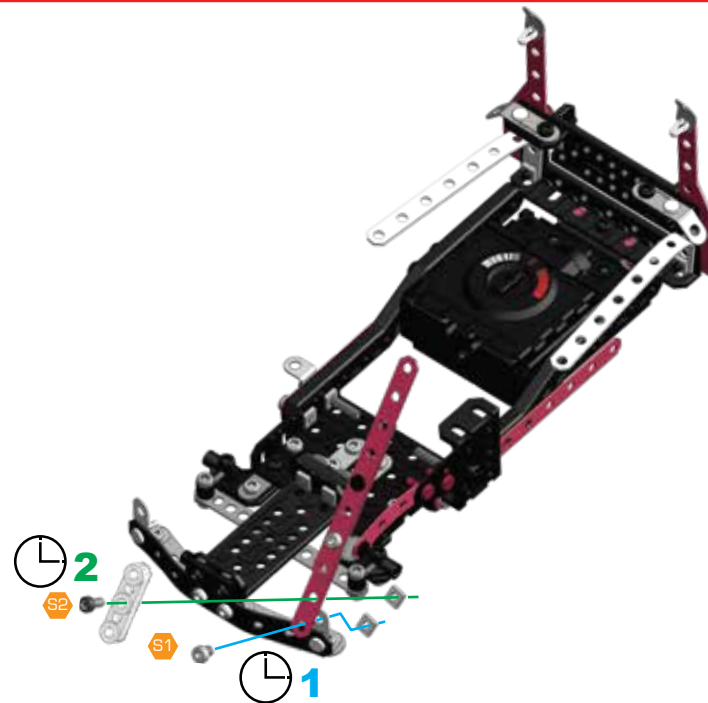
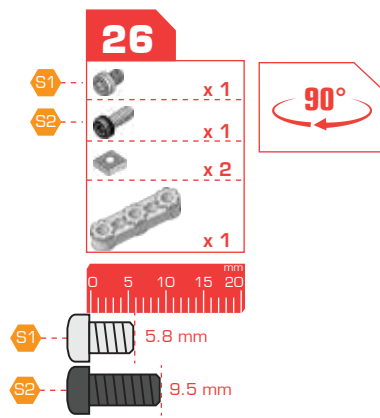
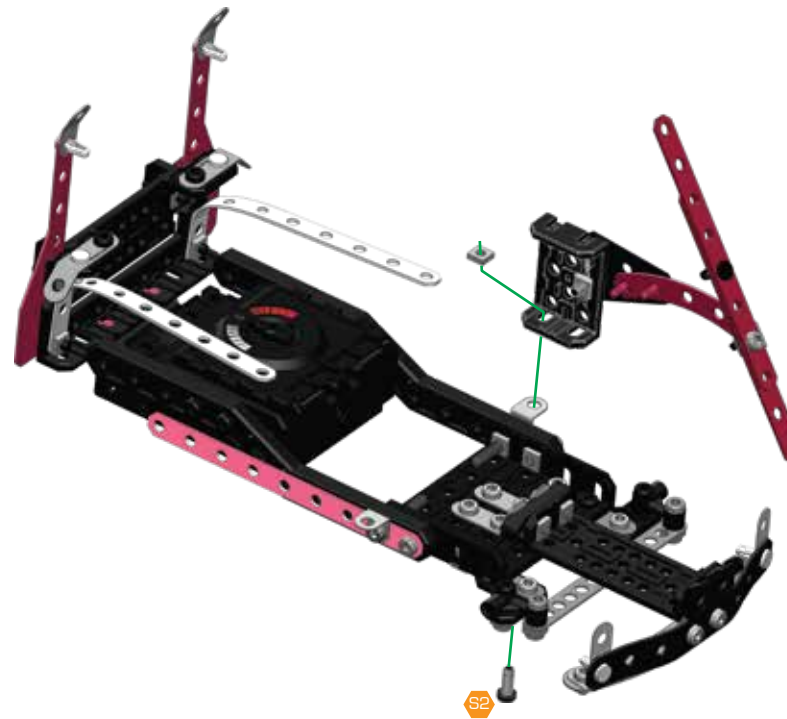
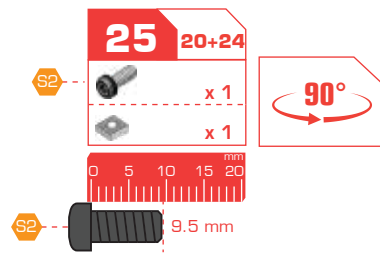
15

- x 2
- x 2









27

- x 1
- x 1
- x 1
- x 1

0 5 10 15 20 mm

9.5 mm

28

- x 2
- x 1

29

- x 1
- x 1

30

- x 1
- x 1
- x 1
- x 2

0 5 10 15 20 mm

5.8 mm

31 26+30

- x 1
- x 1
- 9.5 mm

0 5 10 15 20 mm

32






- x 1
- x 1
- x 2
- x 1

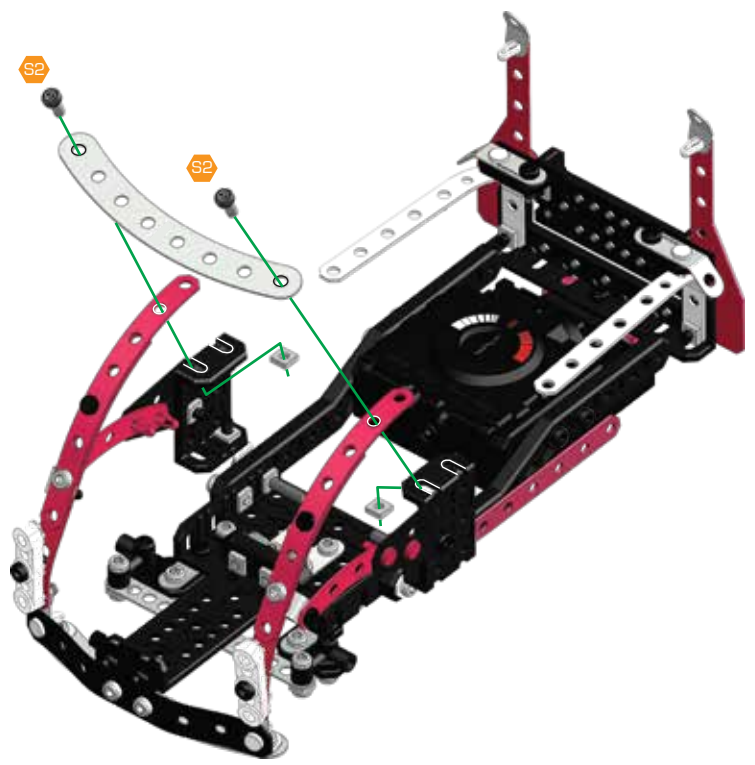
0 5 10 15 20 mm

5.8 mm



9.5 mm

33

-  x 2
-  x 2
-  x 1
-  0 5 10 15 20 mm
-  9.5 mm



34

-  x 2
-  x 2

