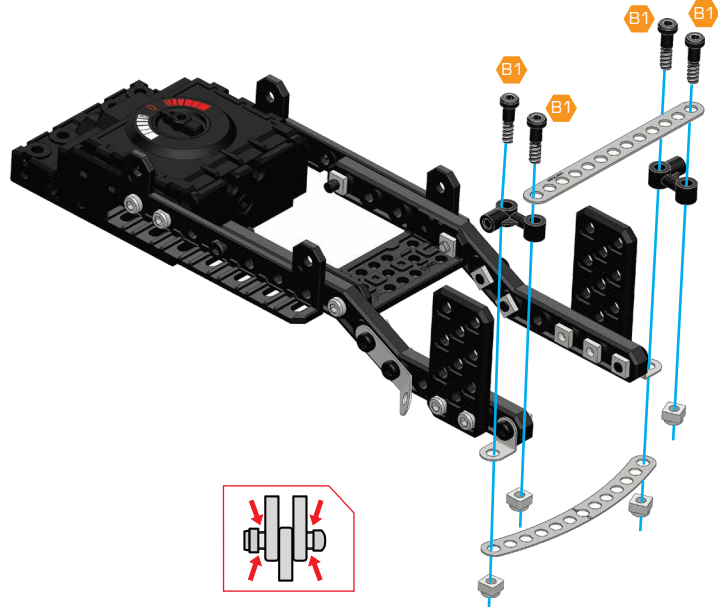
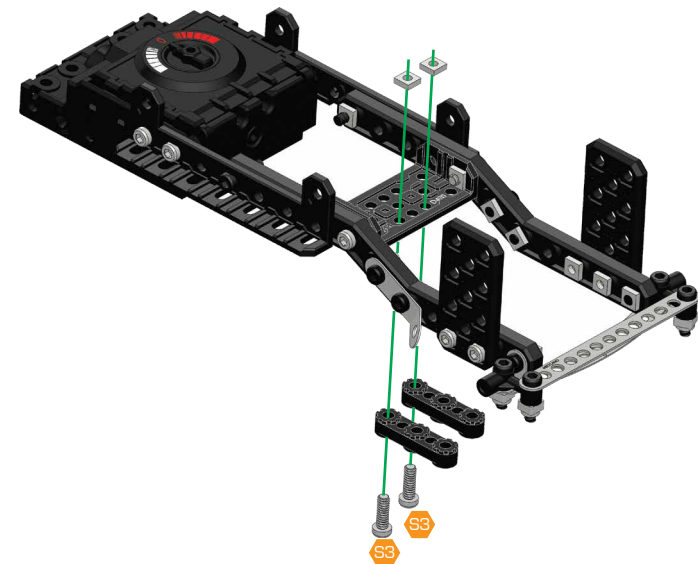


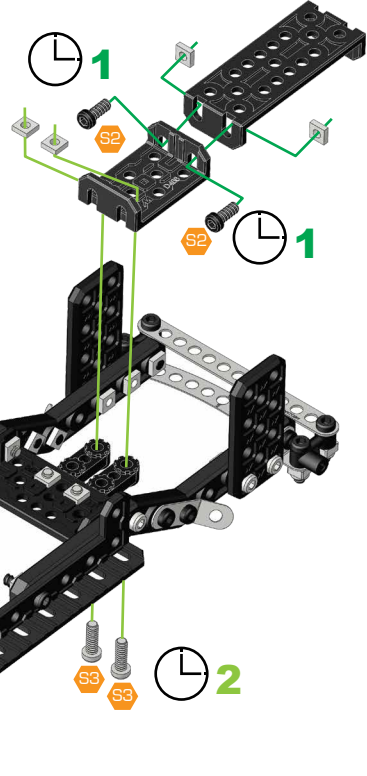
- 8**
- B1 x 4
 - x 4
 - x 2
 - x 1
 - x 1
- 0 5 10 15 20 mm
- B1 14.7 mm



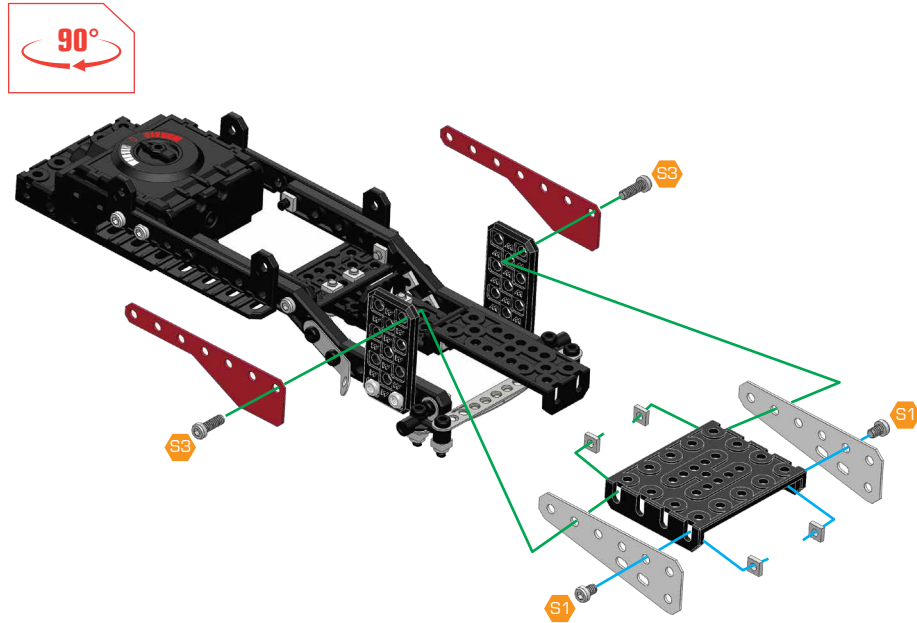
- 9**
- S3 x 2
 - x 2
 - x 2
- 0 5 10 mm
- S3 12 mm



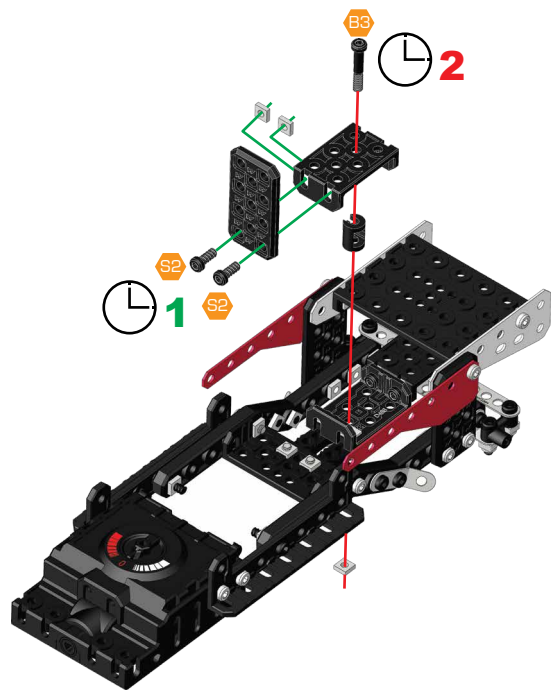
- 10**
- S2 x 2
 - S3 x 2
 - x 4
 - x 1
 - x 1
- 0 5 10 mm
- S2 9.5 mm
- S3 12 mm



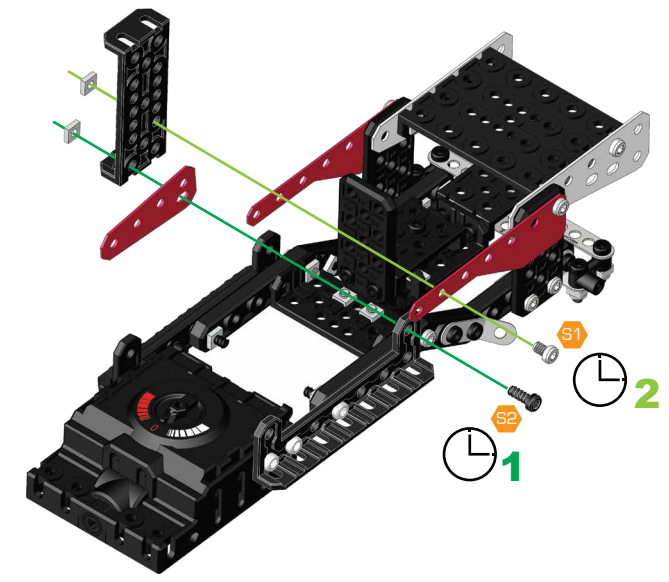
- 11**
- S1 x 2
 - S3 x 2
 - x 4
 - x 2
 - x 2
 - x 1
- 0 5 10 mm
- S1 5.8 mm
- S3 12 mm



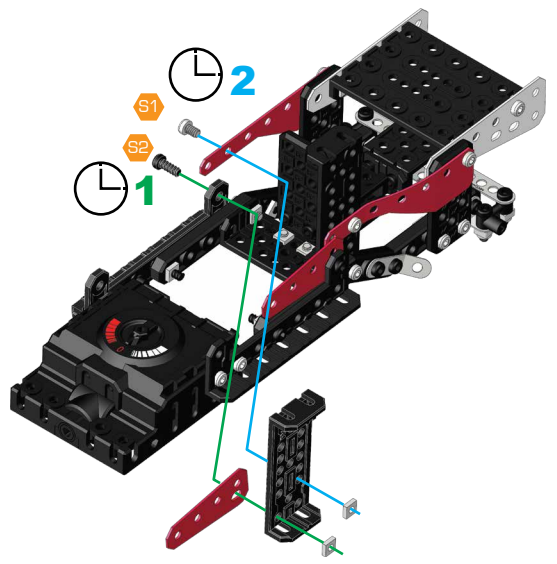
- 12**
- S2 x 2
 - B3 x 1
 - x 3
 - x 1
 - x 1
 - x 1
- 0 5 10 15 20 25 30 mm
- S2 9.5 mm
 - B3 23 mm



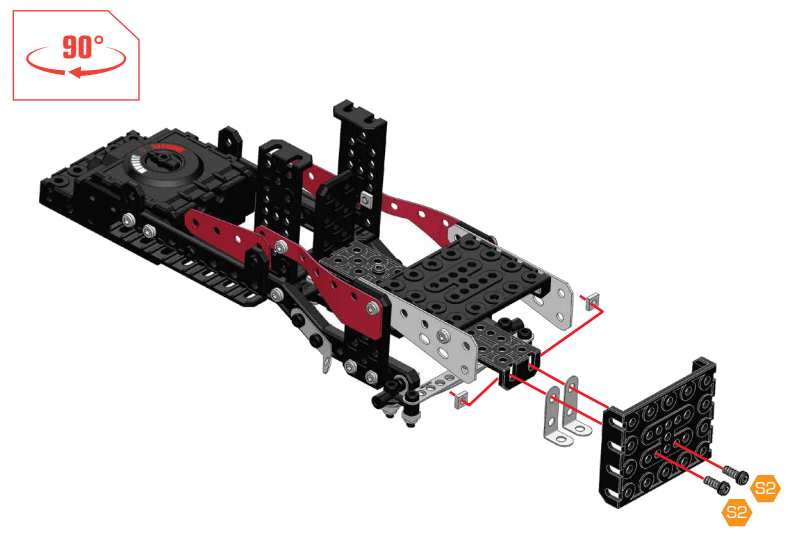
- 13**
- S1 x 1
 - S2 x 1
 - x 2
 - x 1
 - x 1
- 0 5 10 15 20 mm
- S1 5.8 mm
 - S2 9.5 mm

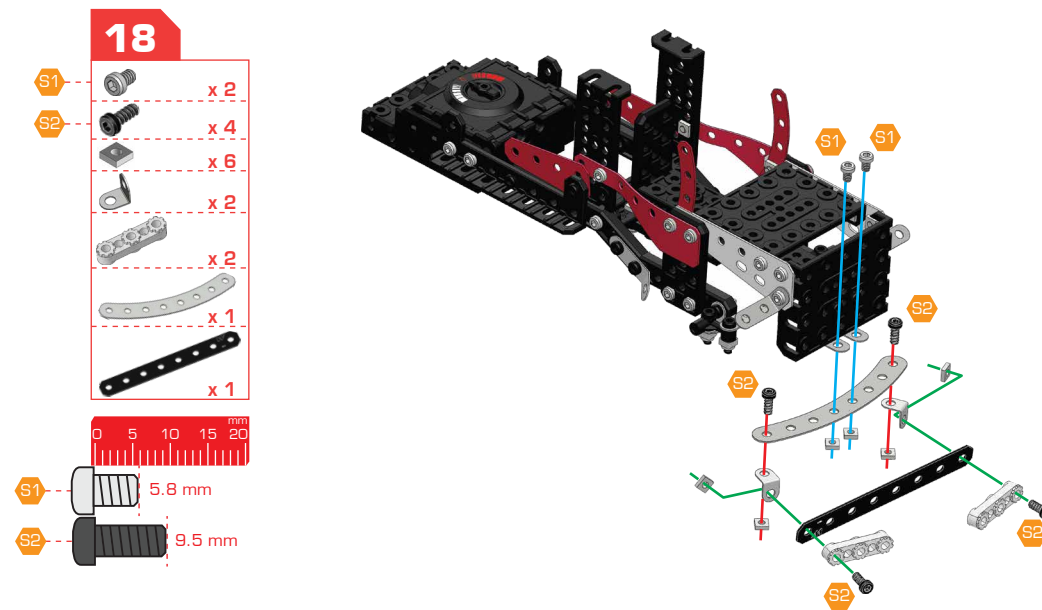
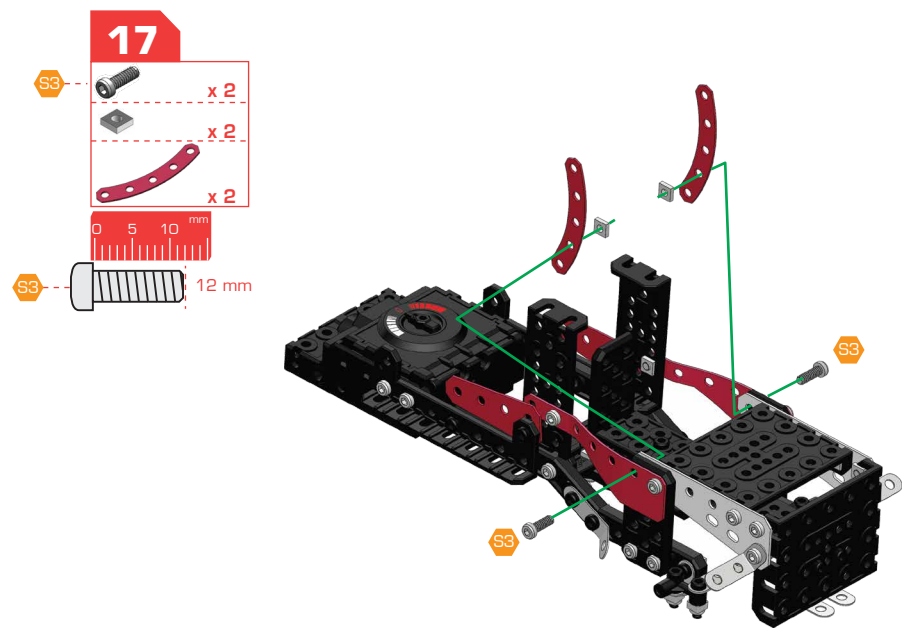
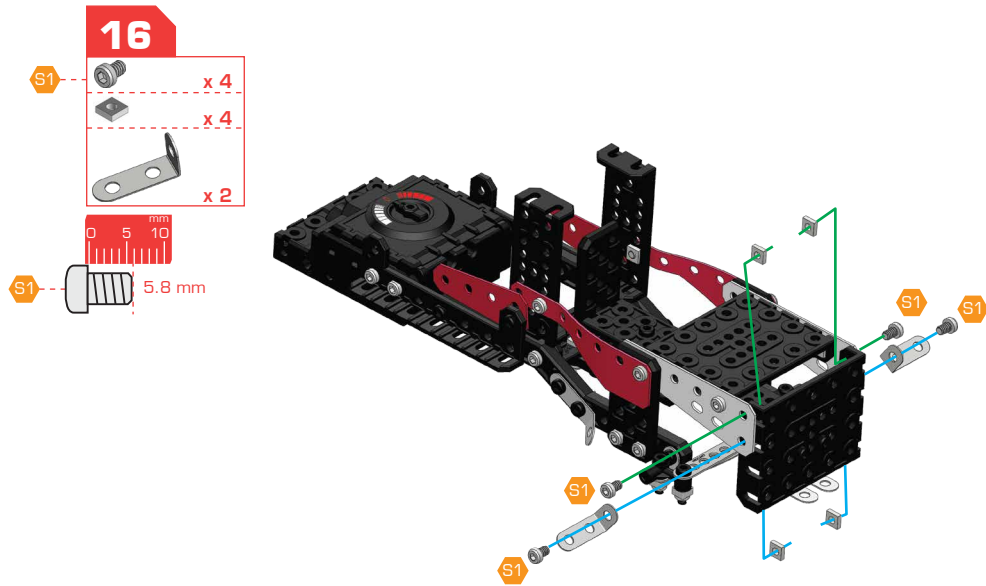


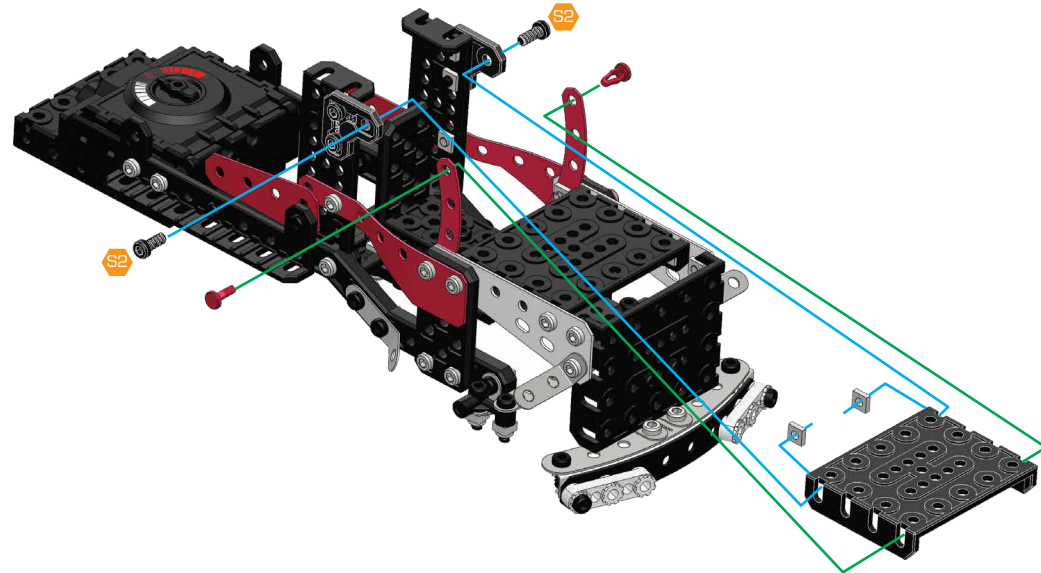
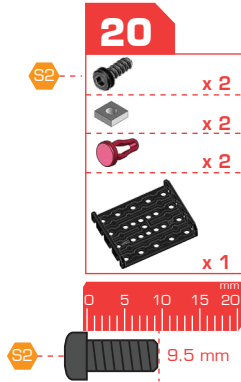
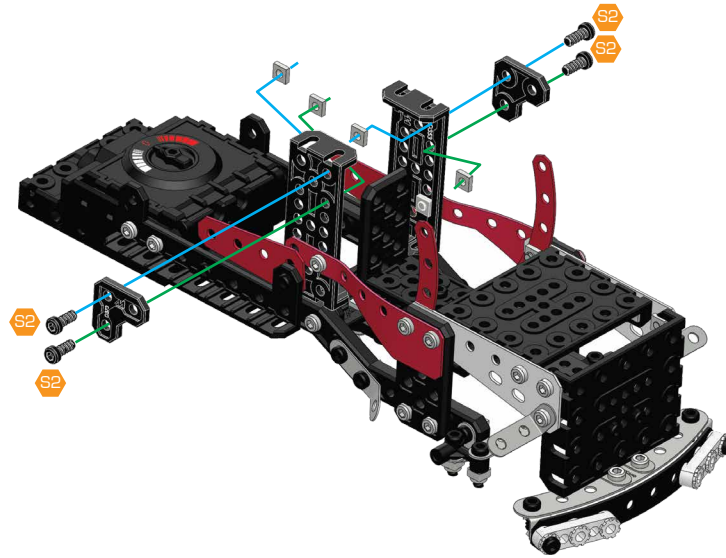
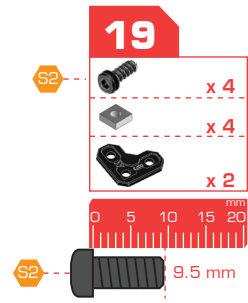
- 14**
- S1 x 1
 - S2 x 1
 - x 2
 - x 1
 - x 1
- 0 5 10 15 20 mm
- S1 5.8 mm
 - S2 9.5 mm

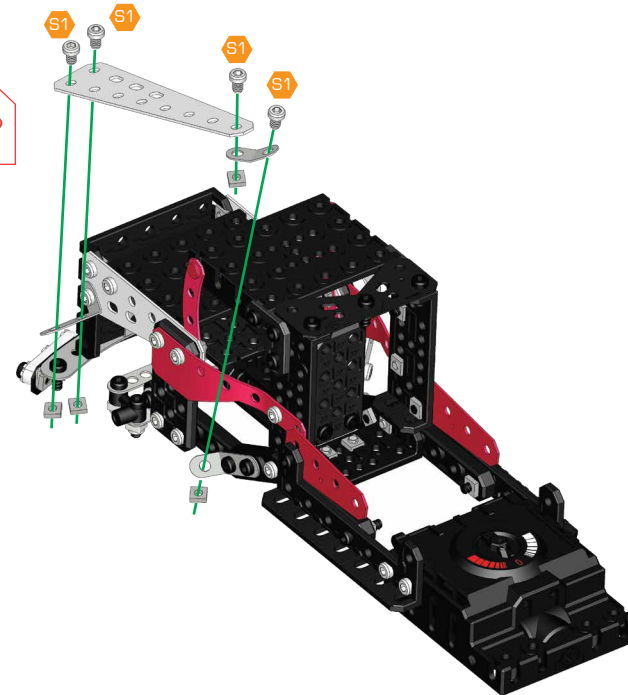
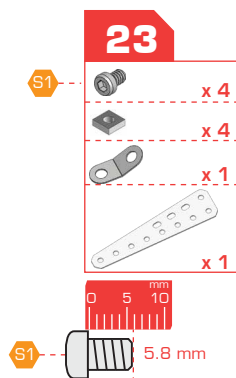
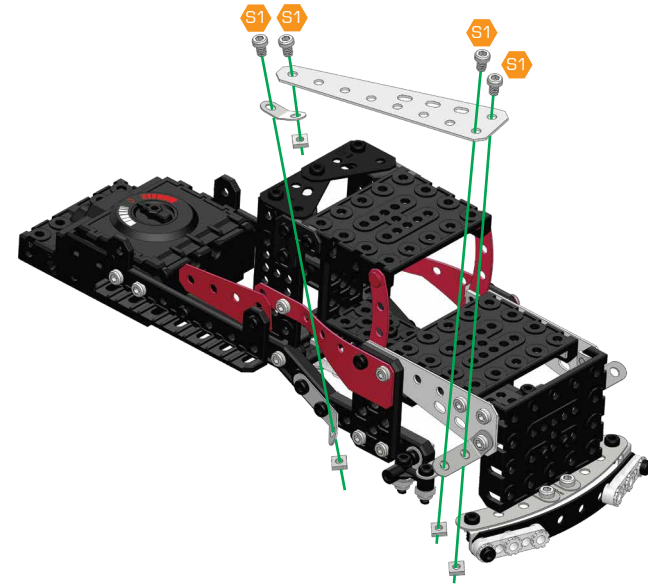
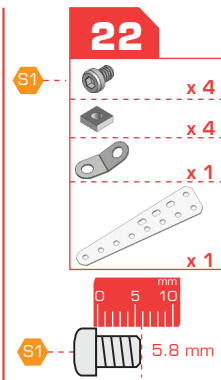
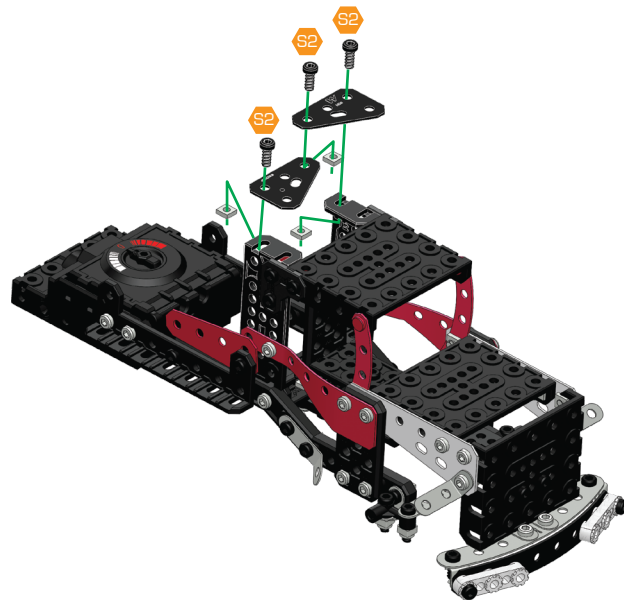
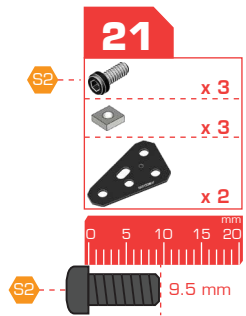


- 15**
- S2 x 2
 - x 2
 - x 2
 - x 1
- 0 5 10 15 20 mm
- S2 9.5 mm















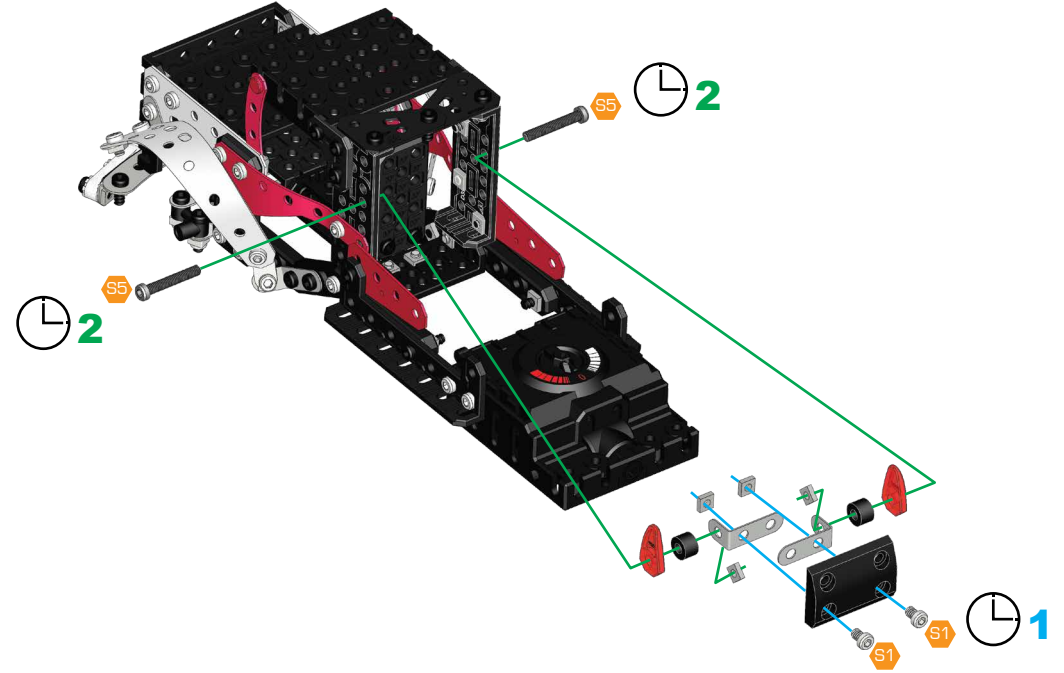


24






-  x 2
-  x 2
-  x 4
-  x 2
-  x 2
-  x 2
-  x 1

0 5 10 15 20 25 30 mm


-  5.8 mm
-  25.4 mm





25


-  x 6
-  x 6
-  x 2
-  x 2
-  x 1


0 5 10 mm

-  5.8 mm

26

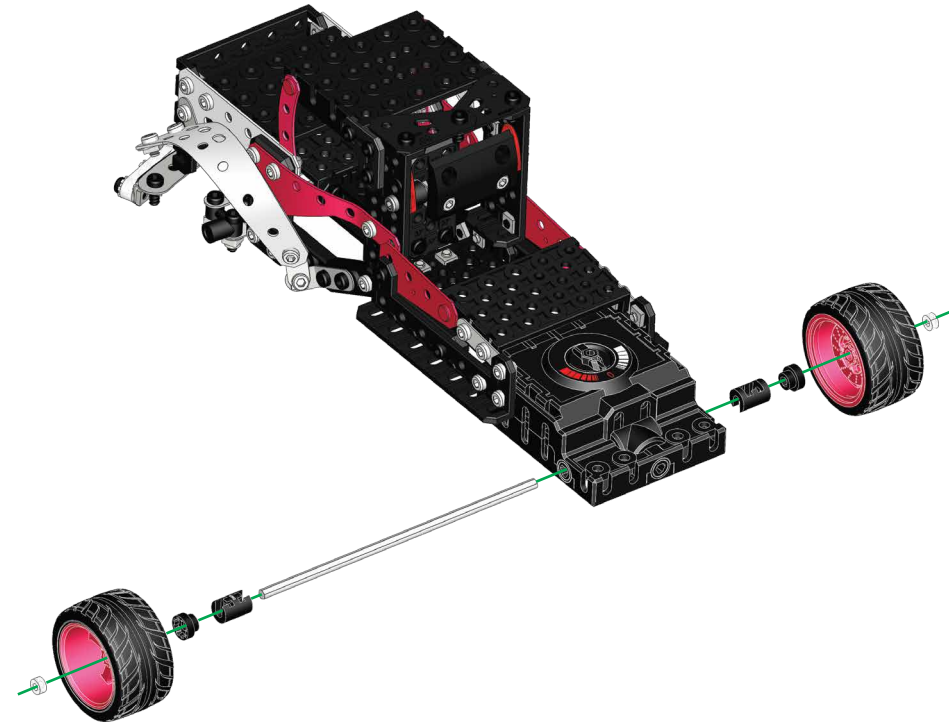
-  x 4
-  x 4

x2 

x2 

27 25+26

- x 2
- x 2
- x 2
- x 1



28 26+27

- x 2
- x 2
- x 2

mm

23 mm

