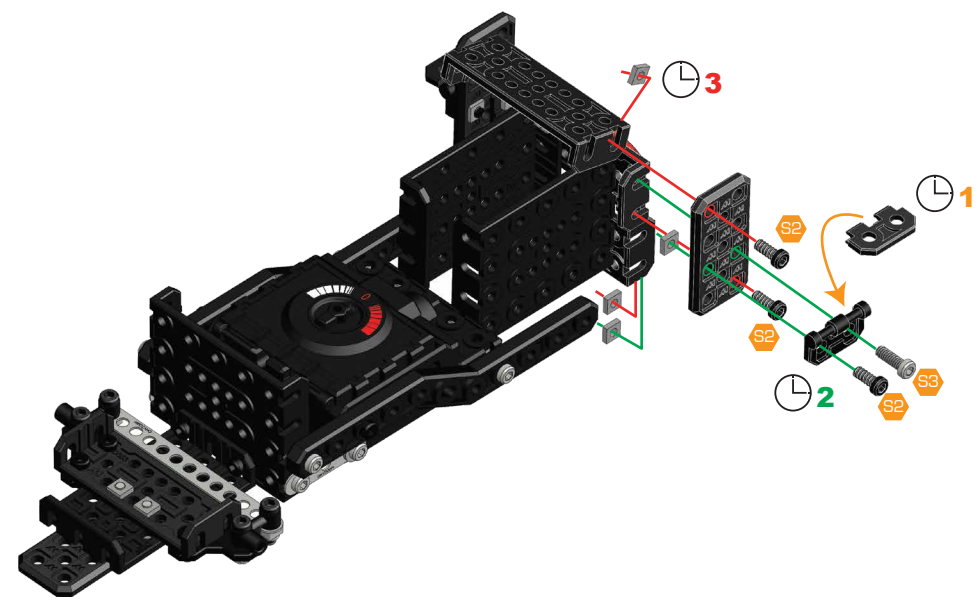


12

- S2 x 3
- S3 x 1
- x 4
- x 1
- x 1
- x 1

- S2 9.5 mm
- S3 12 mm

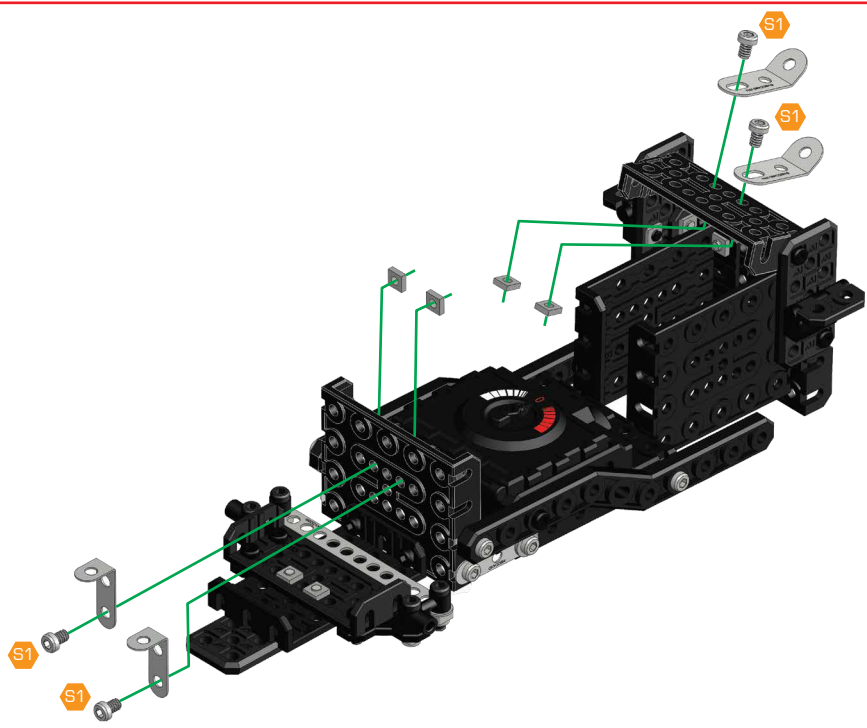
180°



13

- S1 x 4
- x 4
- x 2
- x 2

- S1 5.8 mm

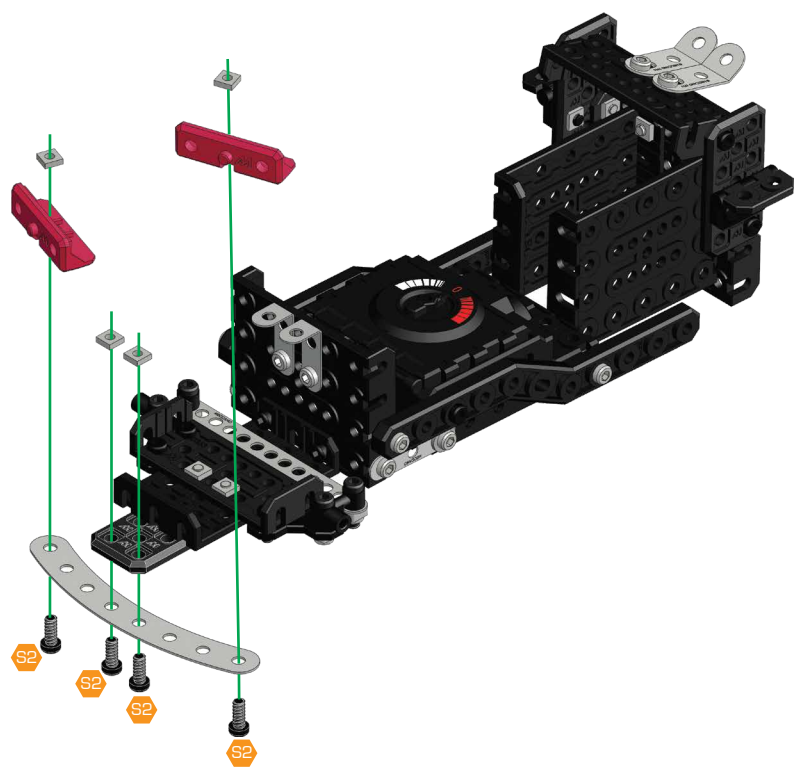


14

- S2 x 4
- x 4
- x 2
- x 1



- S2 9.5 mm

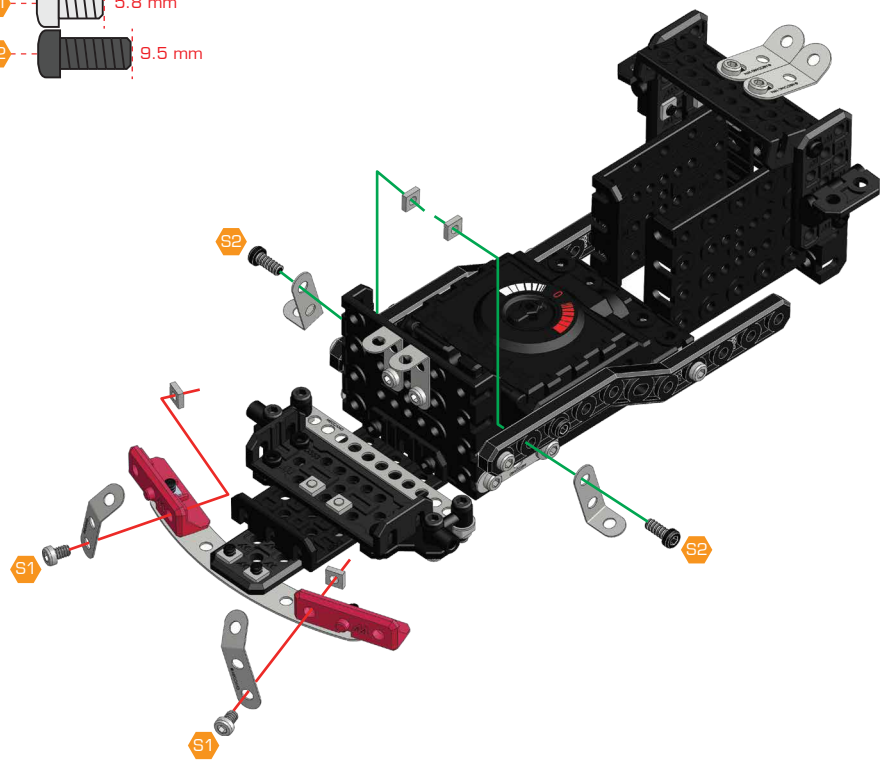


15

- S1 x 2
- S2 x 2
- x 4
- x 2
- x 2



- S1 5.8 mm
- S2 9.5 mm

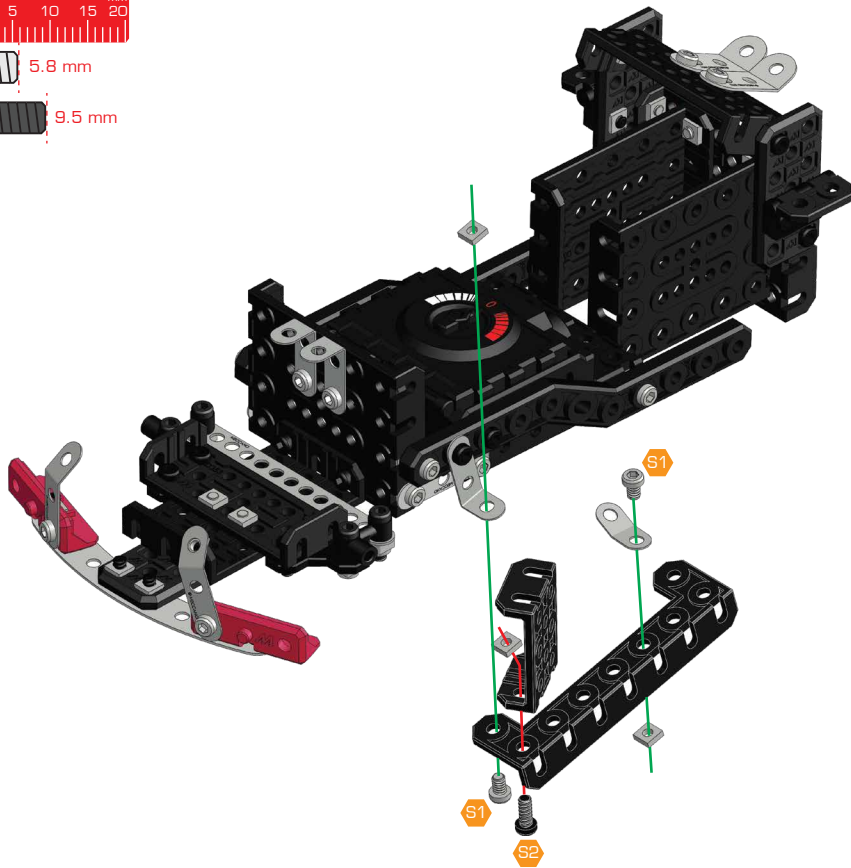


16

- S1 x 2
- S2 x 1
- x 3
- x 1
- x 1
- x 1



- S1 5.8 mm
- S2 9.5 mm

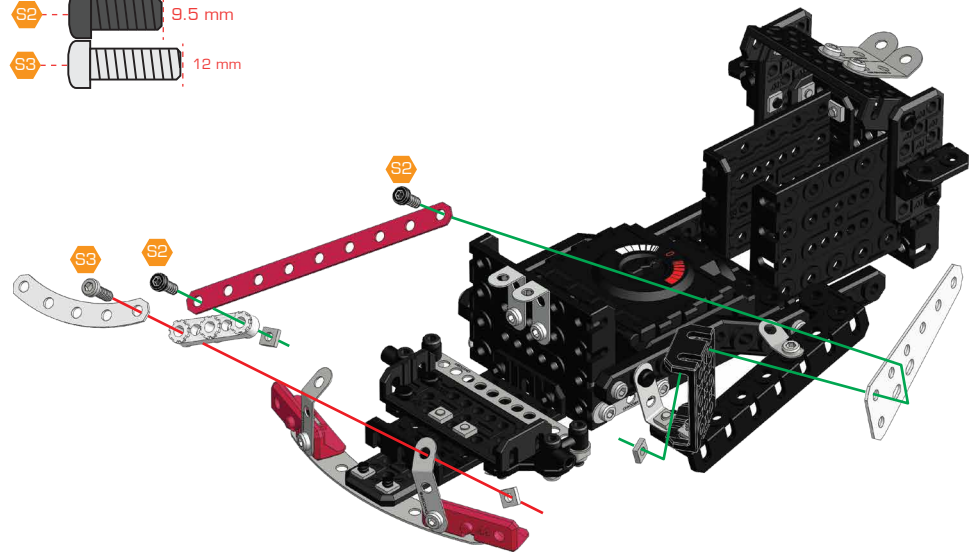


17

- S2 x 2
- S3 x 1
- x 3
- x 1
- x 1
- x 1
- x 1



- S2 9.5 mm
- S3 12 mm

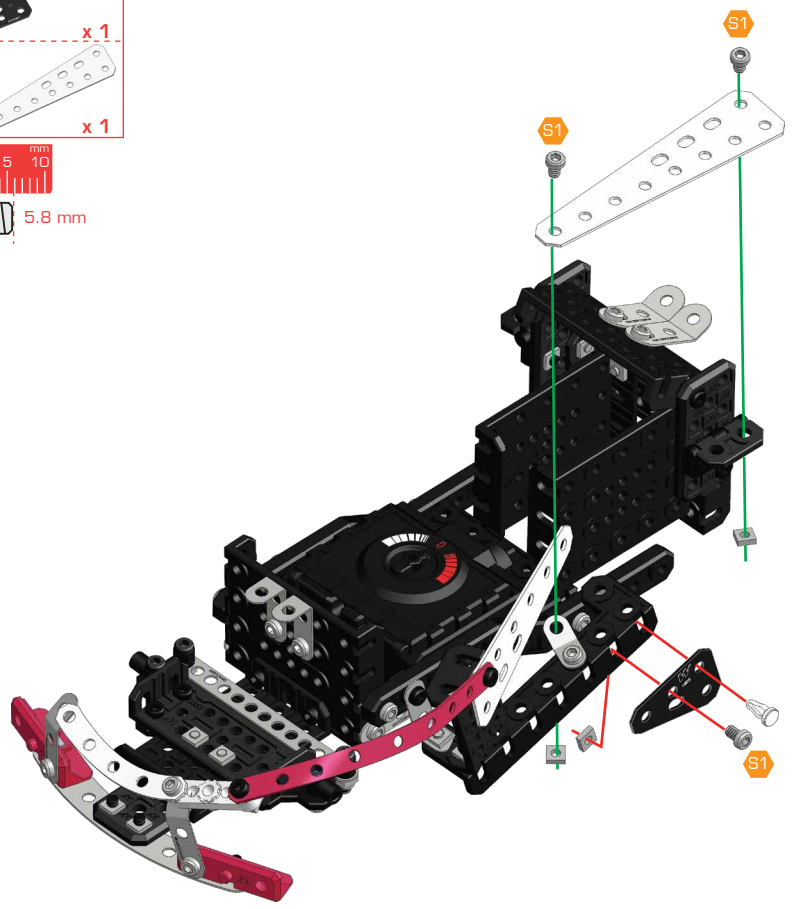


18

- S1 - x 3
- x 1
- x 3
- x 1
- x 1



S1 - 5.8 mm



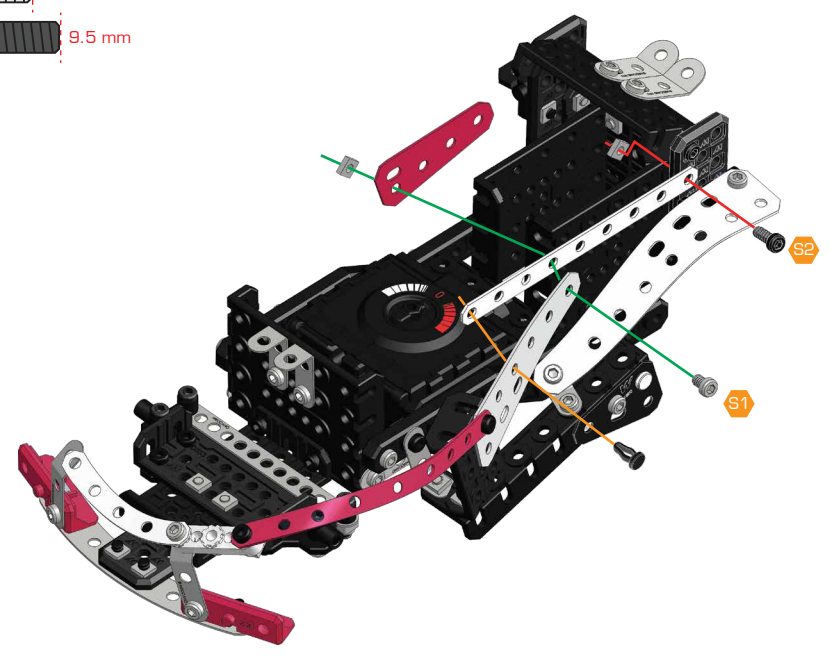
19

- S1 - x 1
- S2 - x 1
- x 2
- x 1
- x 1
- x 1



S1 - 5.8 mm

S2 - 9.5 mm

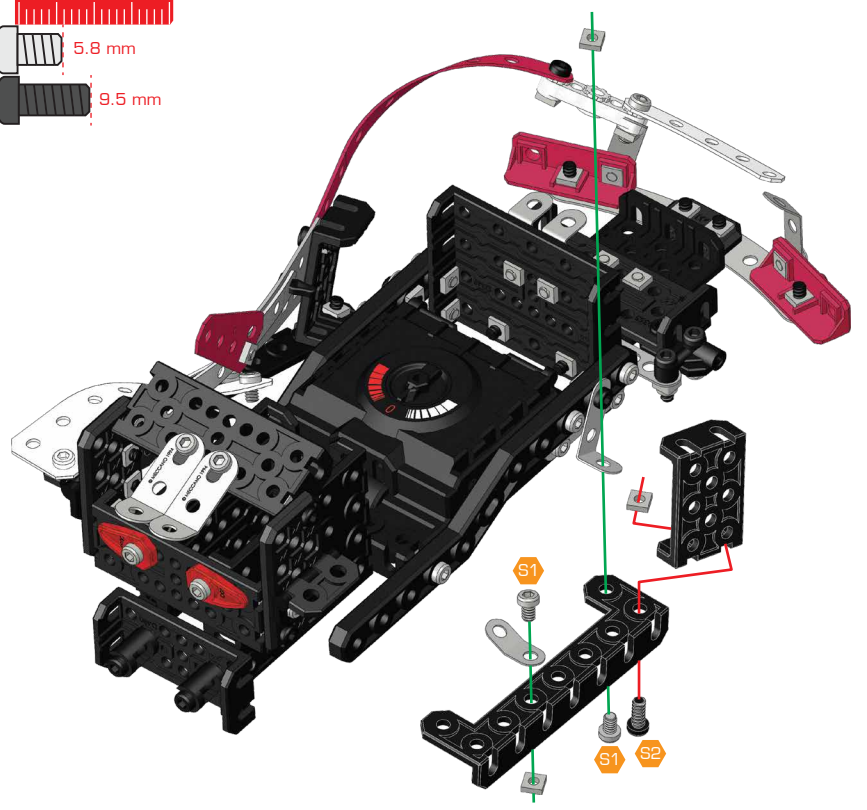


20

- S1 x 2
- S2 x 1
- x 3
- x 1
- x 1
- x 1



- S1 5.8 mm
- S2 9.5 mm

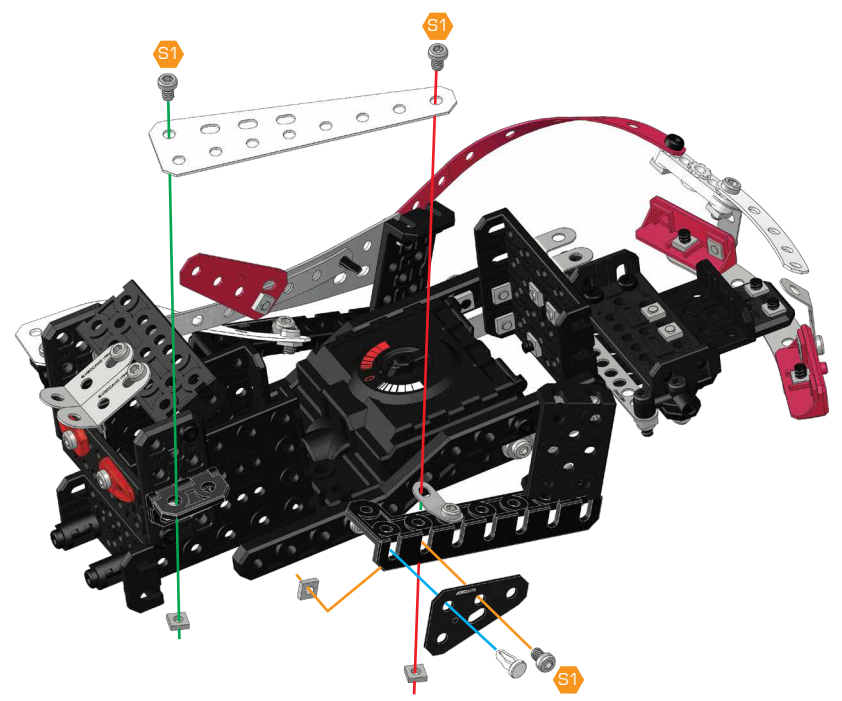


21

- S1 x 3
- x 1
- x 3
- x 1
- x 1

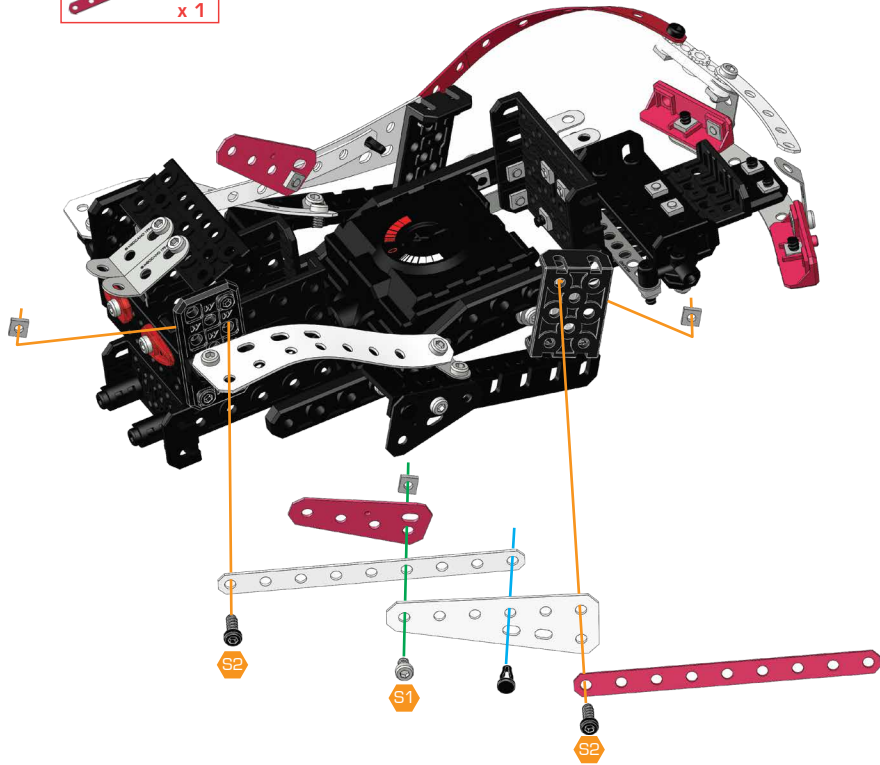
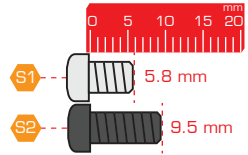


- S1 5.8 mm



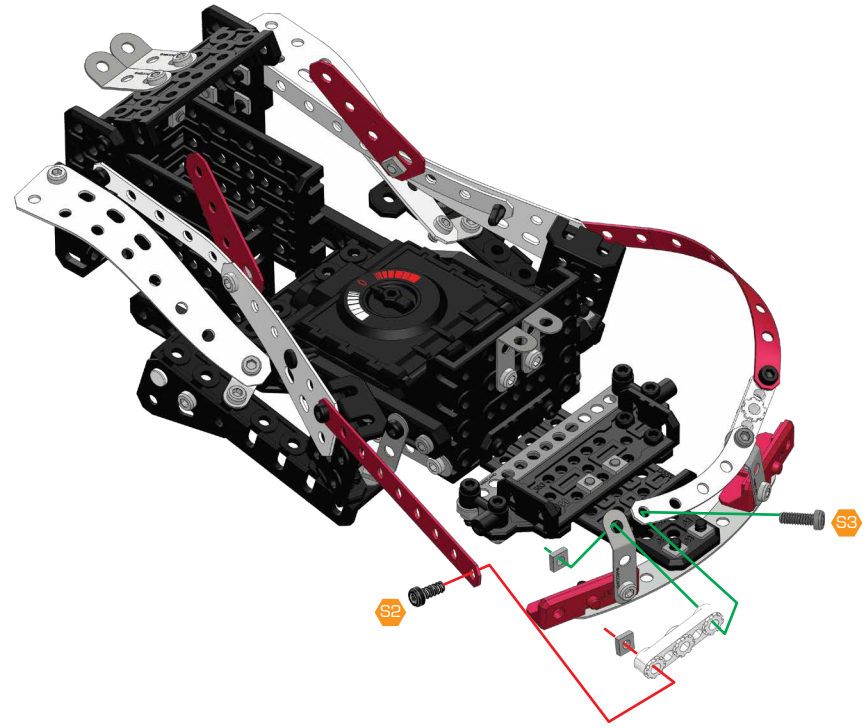
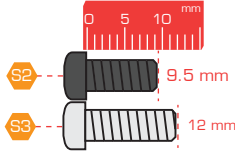
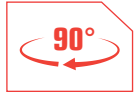
22

- S1 x 1
- S2 x 2
- x 3
- x 1
- x 1
- x 1
- x 1
- x 1
- x 1

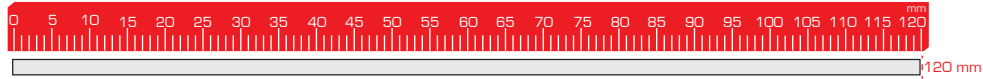
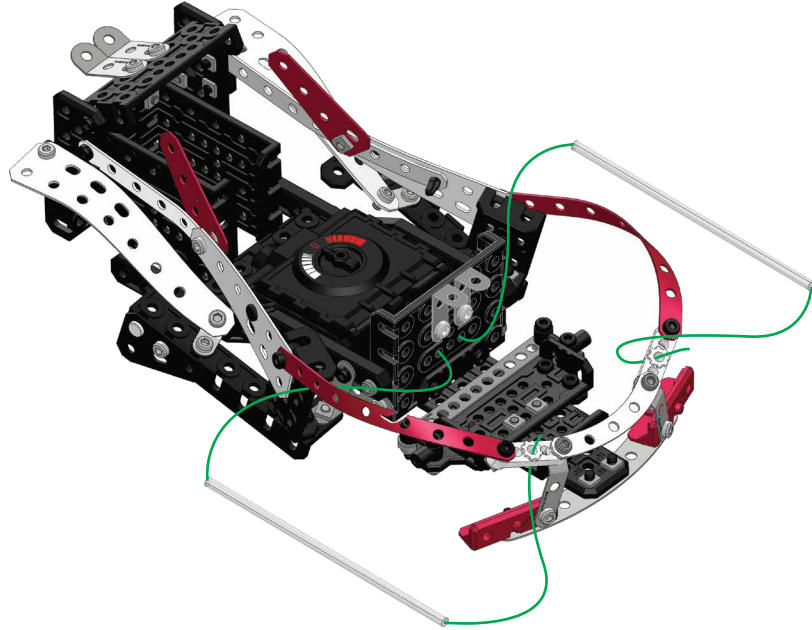


23

- S2 x 1
- S3 x 1
- x 2
- x 1
- 9.5 mm
- 12 mm

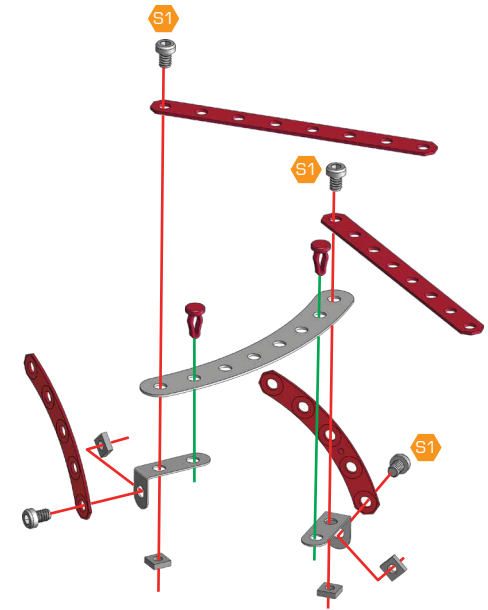


24



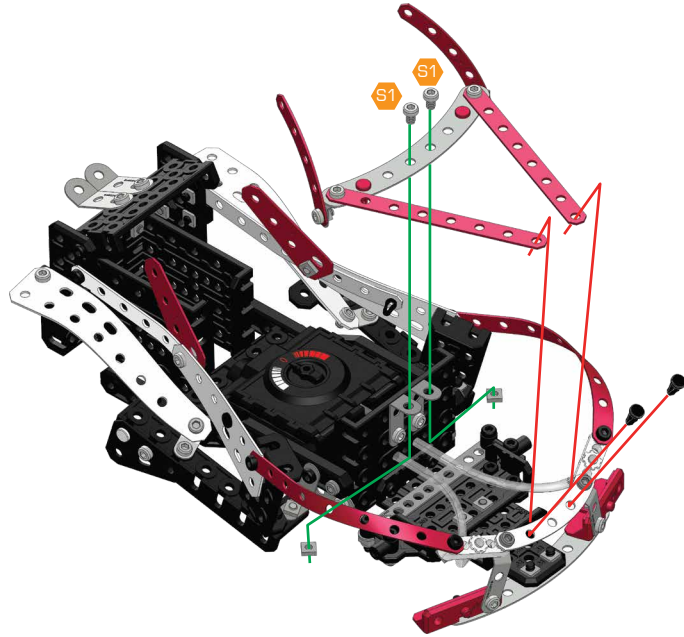
25

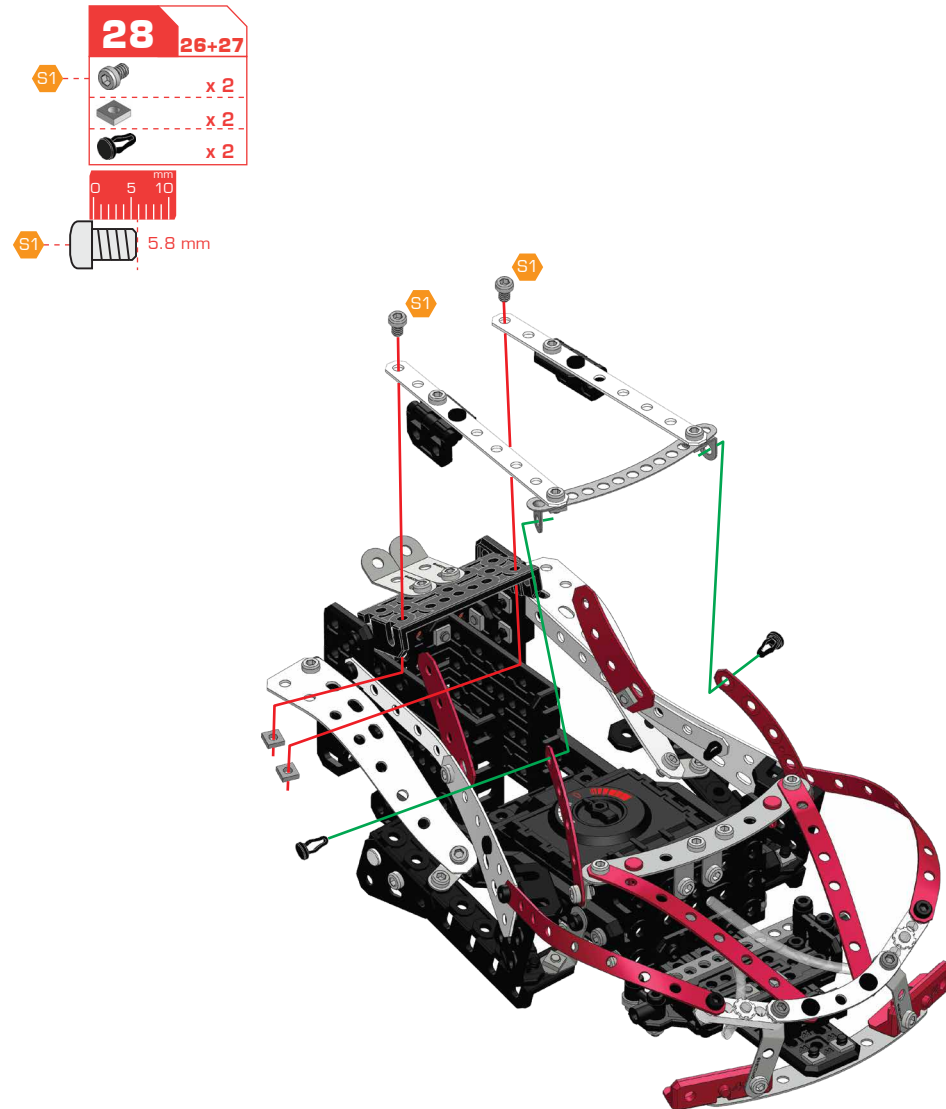
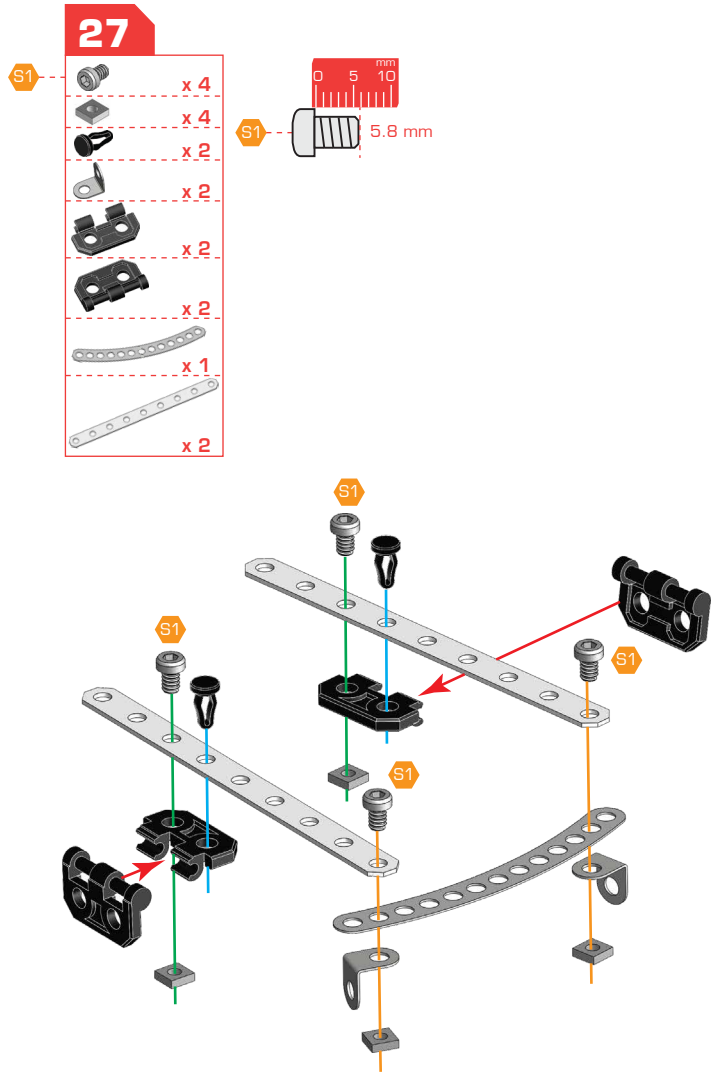
- x 4
 - x 4
 - x 2
 - x 2
 - x 1
 - x 2
 - x 2
- 5.8 mm



26 24+25

- x 2
 - x 2
 - x 2
- 5.8 mm





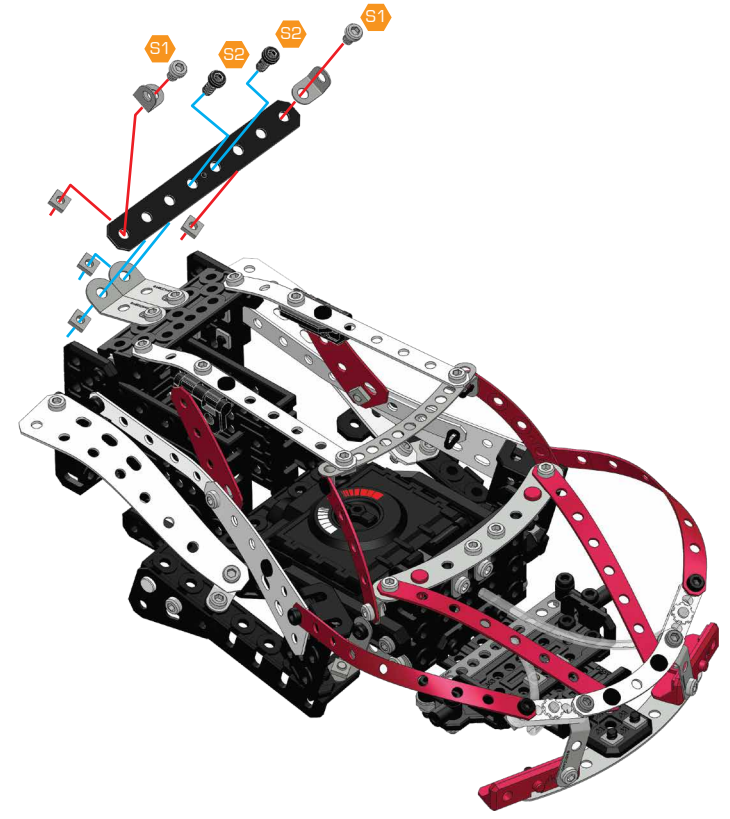
29

- S1 x 2
- S2 x 2
- x 4
- x 2
- x 1

0 5 10 15 20 mm

S1 5.8 mm

S2 9.5 mm

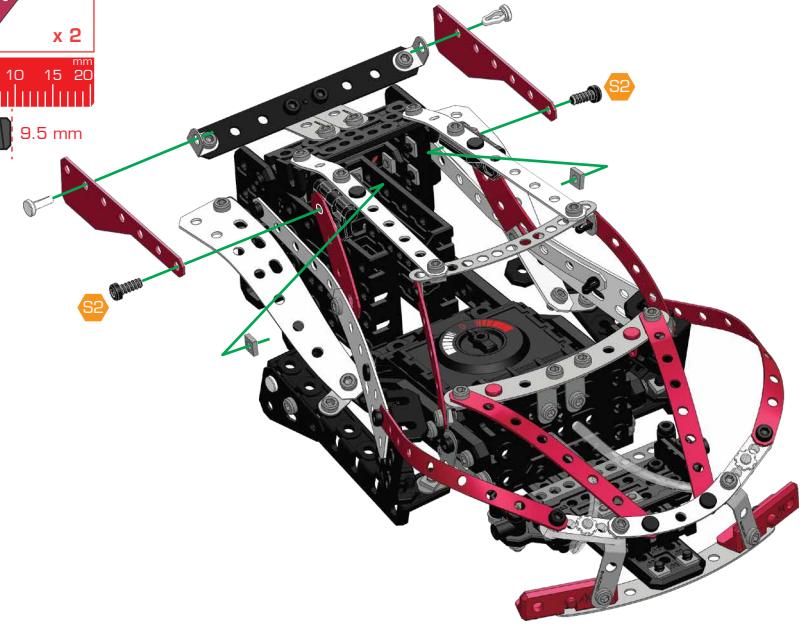


30

- S2 x 2
- x 2
- x 2
- x 2
- x 2

0 5 10 15 20 mm









S2 9.5 mm

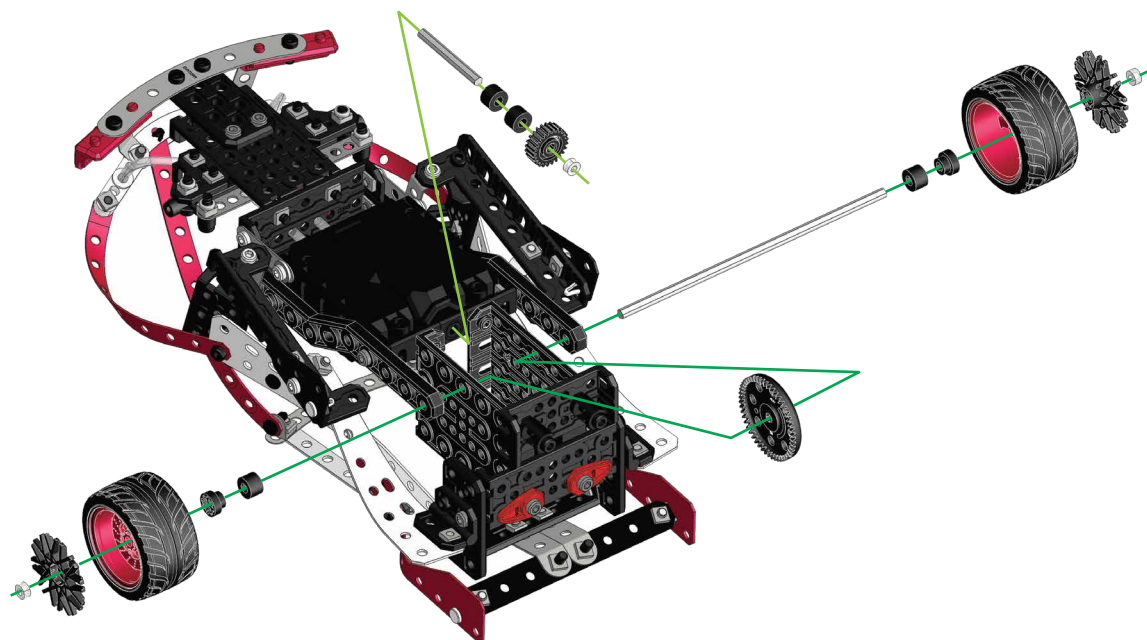


31




- x 4
- x 4



- 32** 30+31
-  x 1
 -  x 1
 -  x 4
 -  x 2
 -  x 3
 -  x 1
 -  x 2
 -  x 1



33 31+32

-  x 2
-  x 2
-  x 2

