



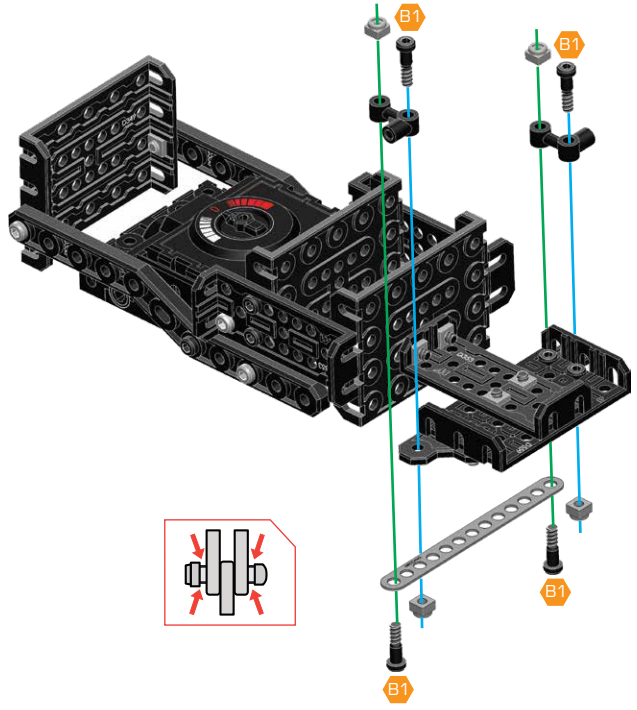






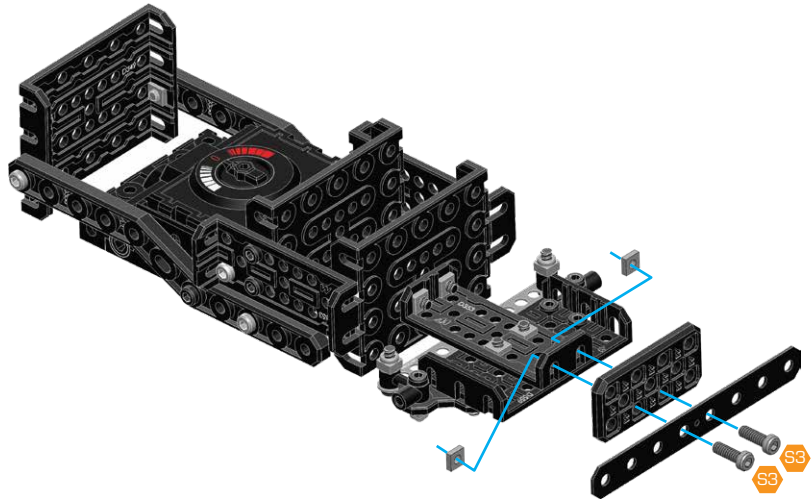
# 9

-  x 4
-  x 4
-  x 2
-  x 1

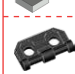


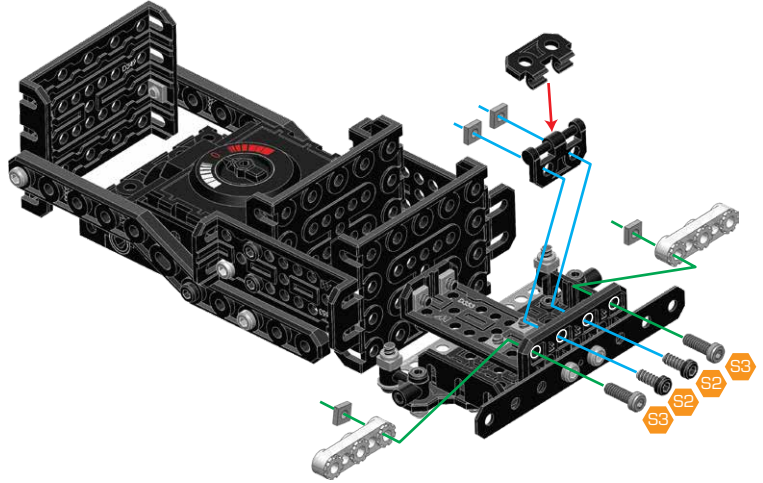
# 10

-  x 2
-  x 2
-  x 1
-  x 1



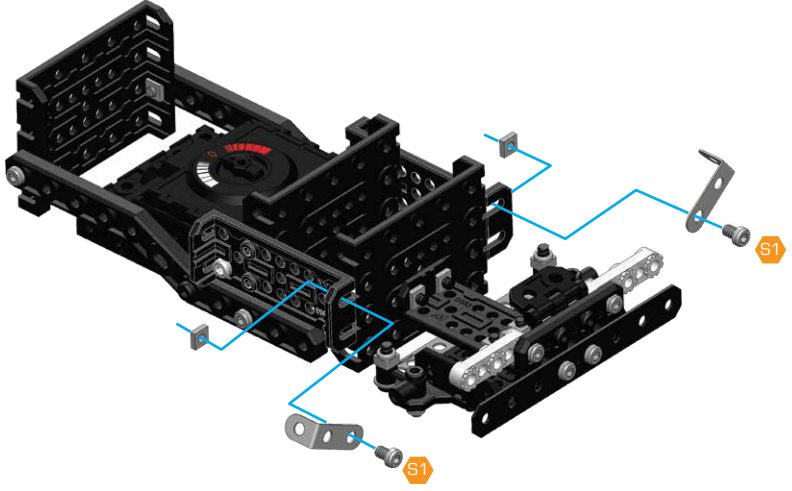
# 11

-  x 2
-  x 2
-  x 4
-  x 1
-  x 1
-  x 2



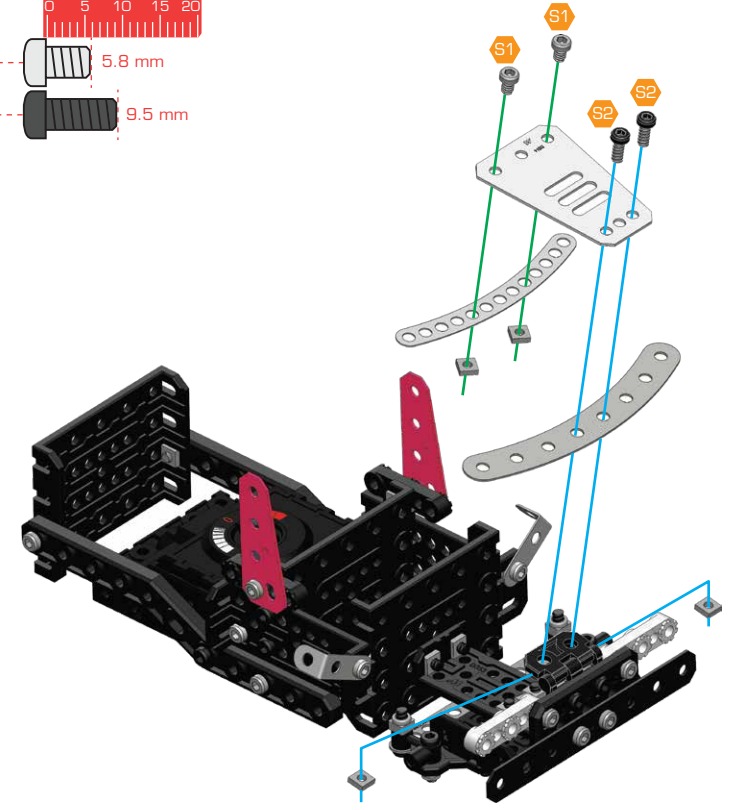
# 12

- S1 x 2
  - x 2
  - x 2
- 0 5 10 15 20 mm
- S1 5.8 mm



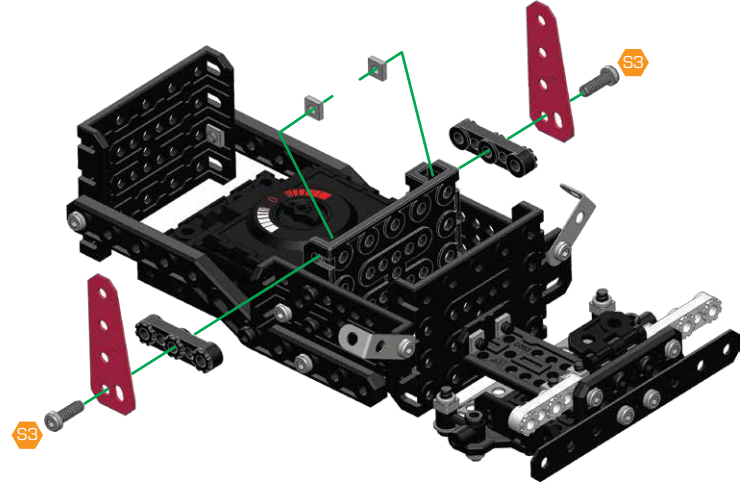
# 14

- S1 x 2
  - S2 x 2
  - x 4
  - x 1
  - x 1
  - x 1
- 0 5 10 15 20 mm
- S1 5.8 mm
- S2 9.5 mm



# 13

- S3 x 2
  - x 2
  - x 2
  - x 2
- 0 5 10 mm
- S3 12 mm

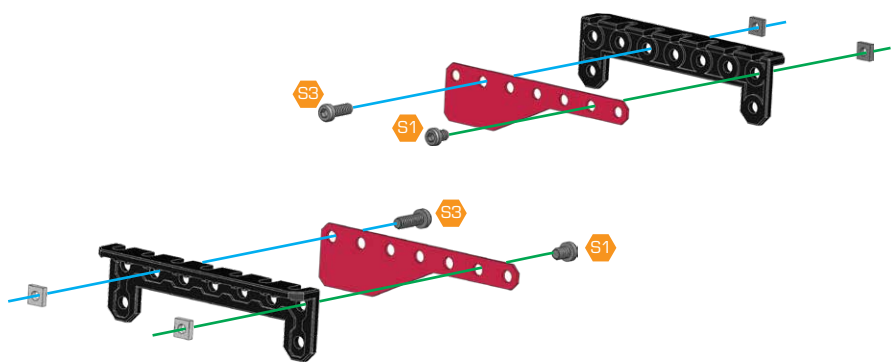


# 15

- S1 x 2
- S3 x 2
- x 4
- x 2
- x 2



- S1 5.8 mm
- S3 12 mm

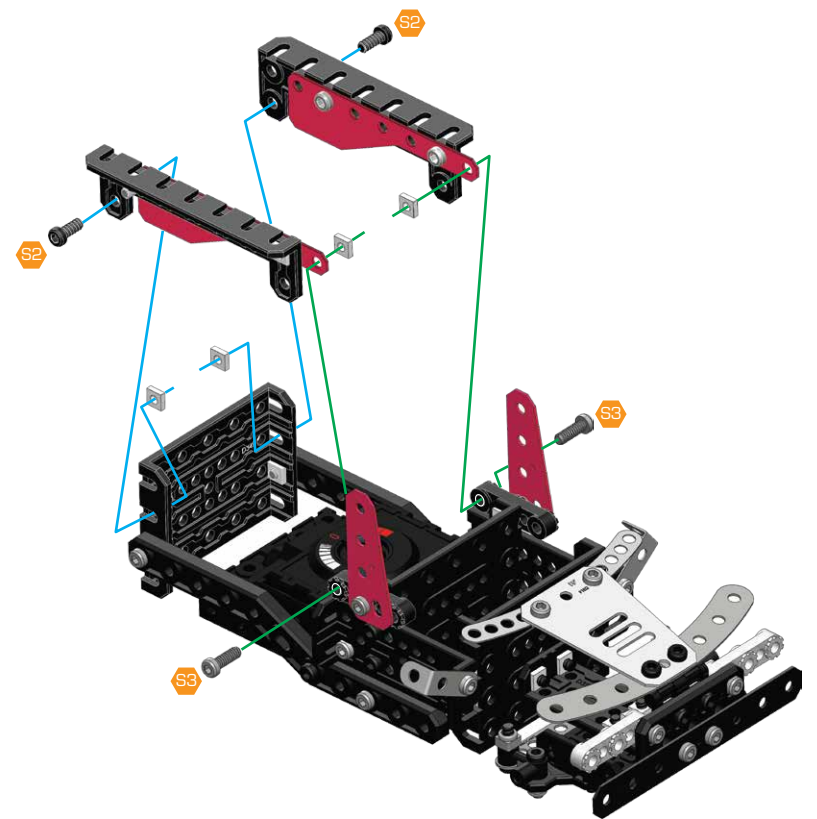


# 16 14+15

- S2 x 2
- S3 x 2
- x 4



- S2 9.5 mm
- S3 12 mm

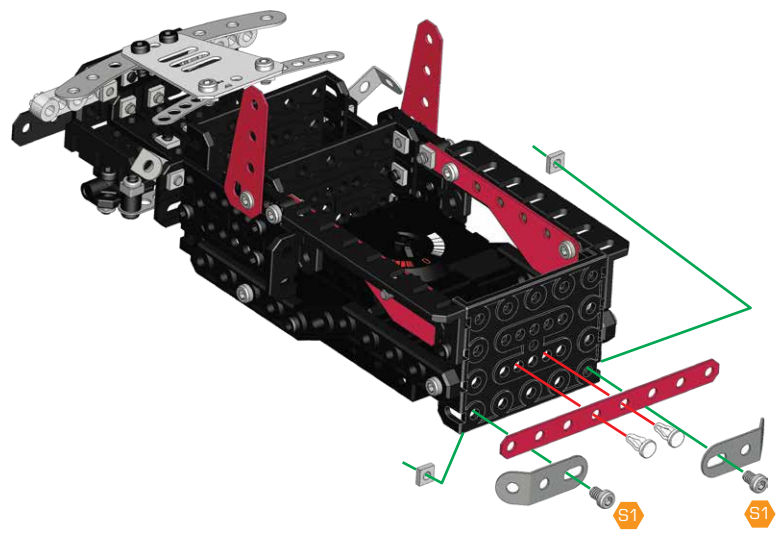


# 17

- S1 x 2
- x 2
- x 2
- x 2
- x 1

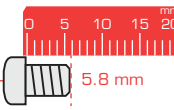
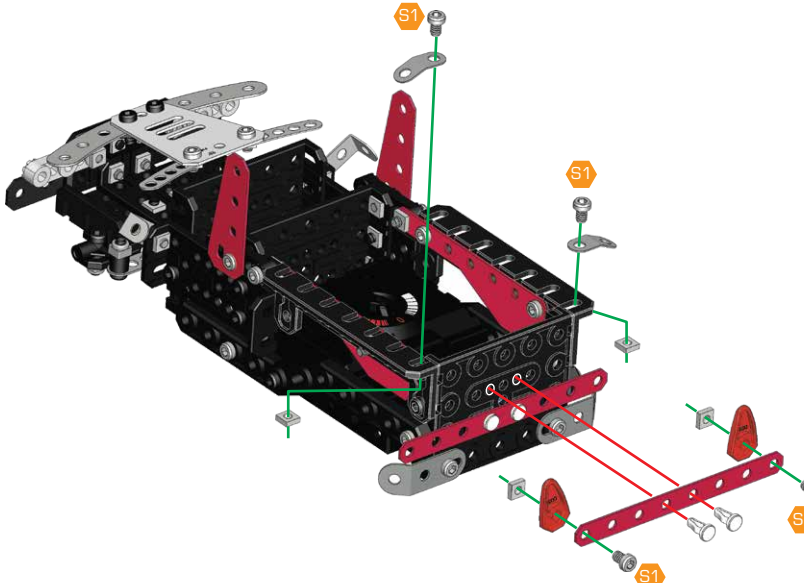


- S1 5.8 mm



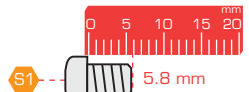

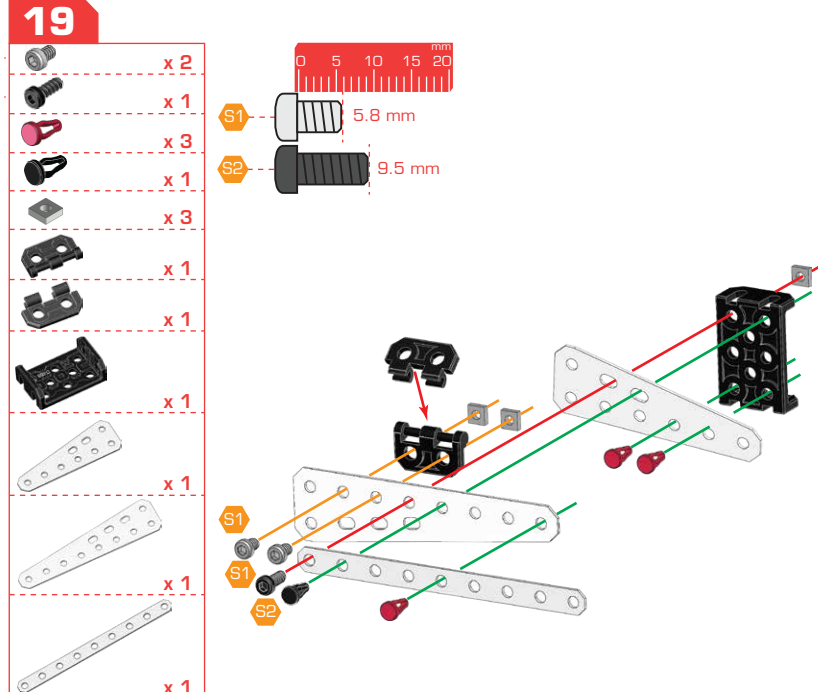
### 18

	x 4
	x 2
	x 4
	x 2
	x 2
	x 1

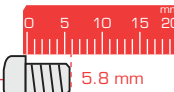
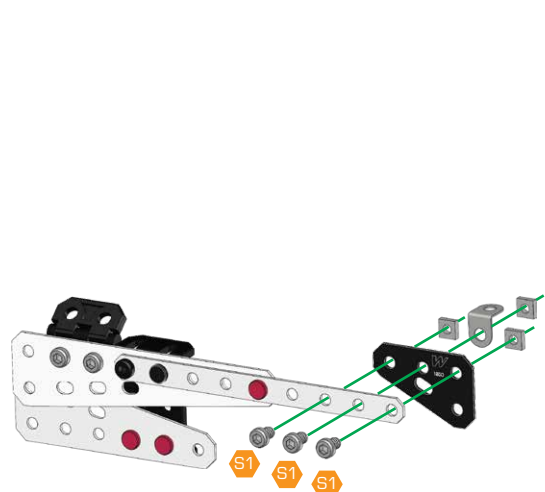
### 19

	x 2
	x 1
	x 3
	x 1
	x 3
	x 1
	x 1
	x 1
	x 1
	x 1
	x 1



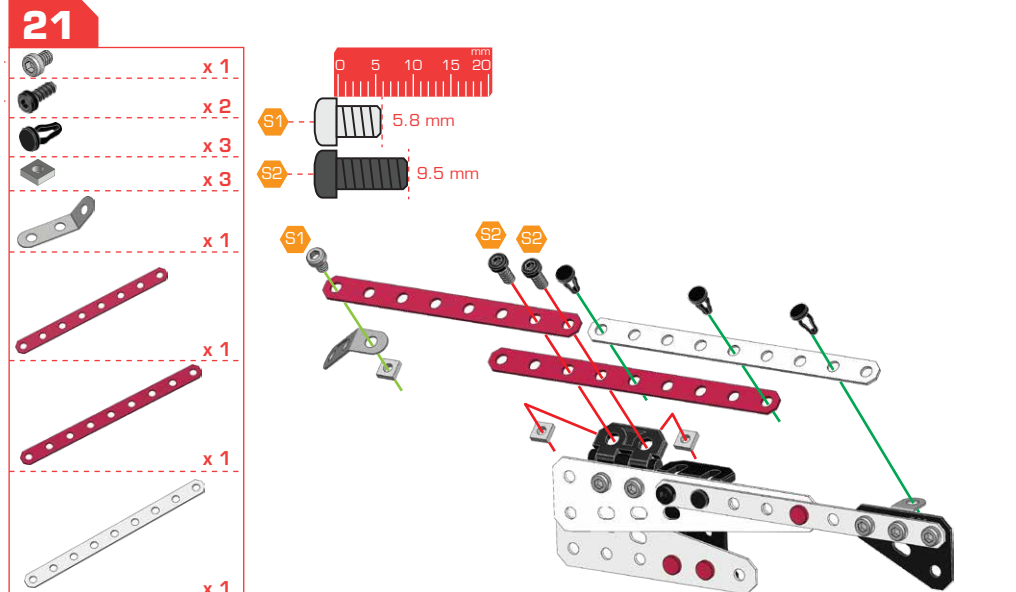
### 20

	x 3
	x 3
	x 1
	x 1

### 21

	x 1
	x 2
	x 3
	x 3
	x 1
	x 1
	x 1
	x 1
	x 1

### 22 18+21

	x 2
	x 1
	x 2

0 5 10 15 20 mm

5.8 mm

### 23

	x 2
	x 1
	x 3
	x 1
	x 3
	x 1
	x 1
	x 1
	x 1
	x 1
	x 1

0 5 10 15 20 mm

5.8 mm

9.5 mm

### 24

	x 3
	x 3
	x 1
	x 1

0 5 10 15 20 mm

5.8 mm

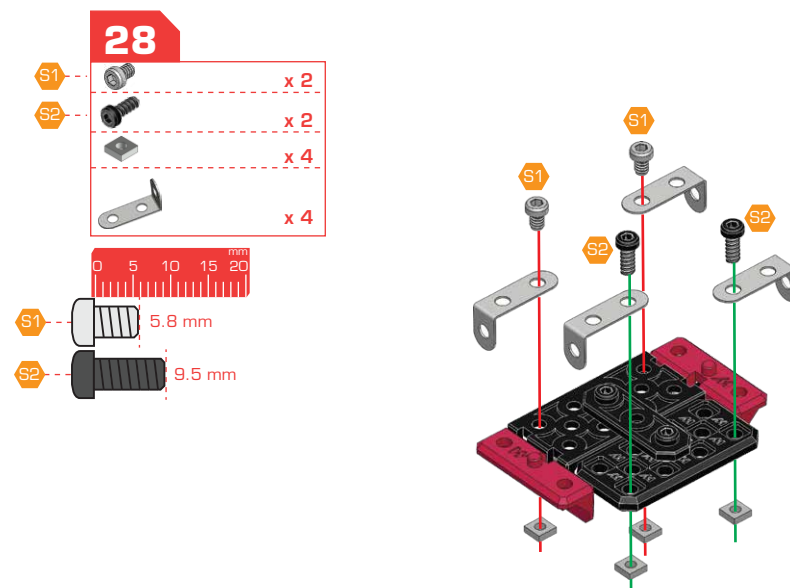
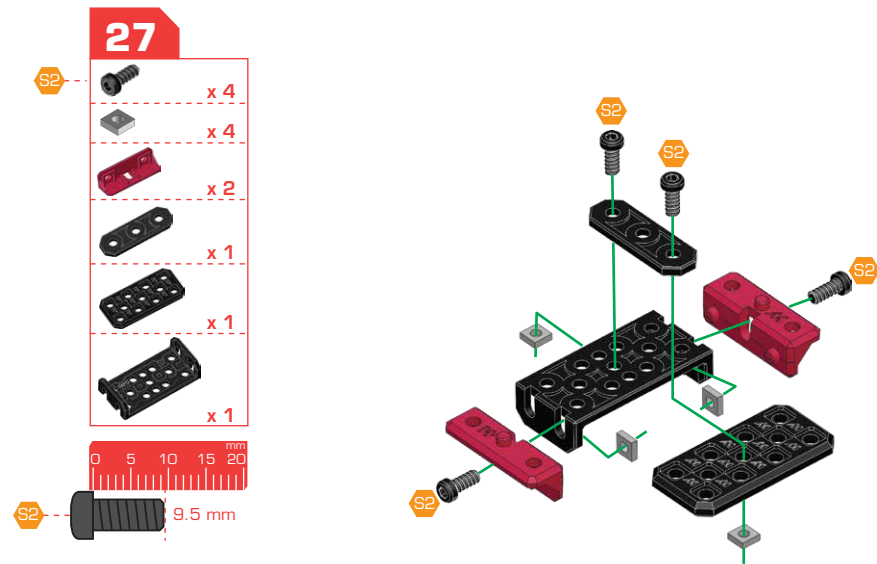
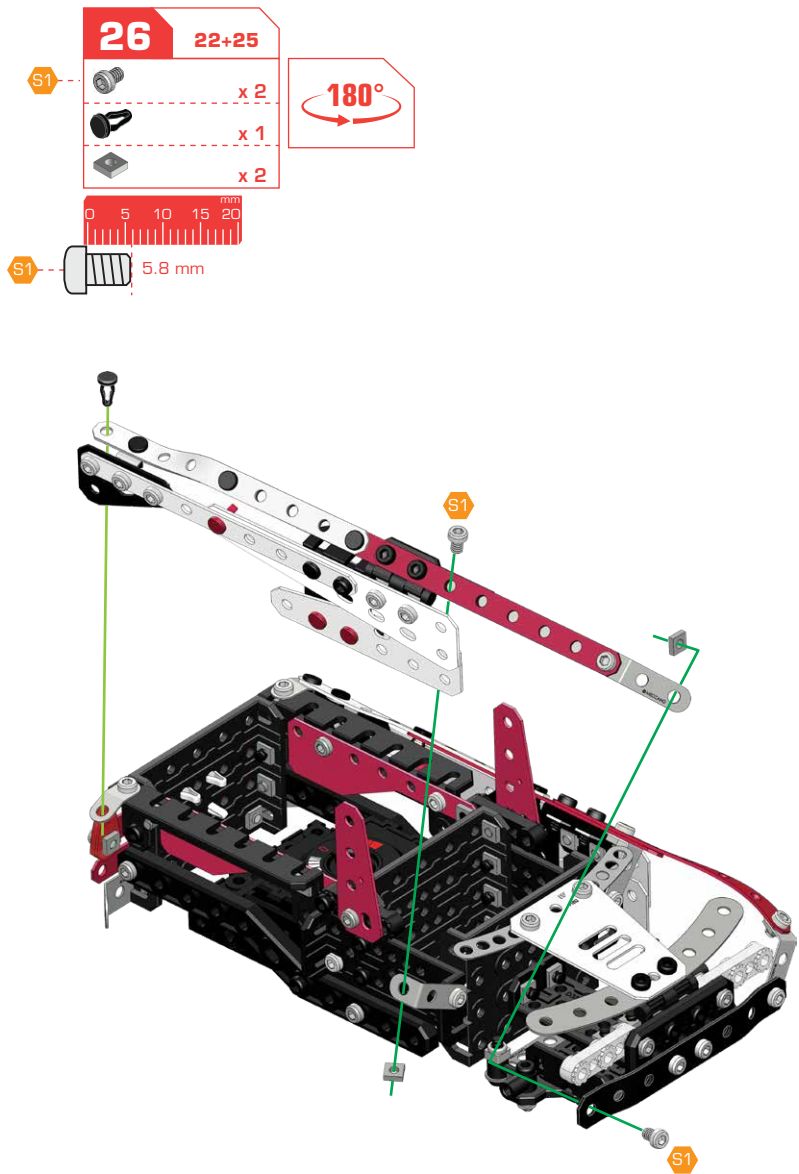
### 25

	x 1
	x 2
	x 3
	x 3
	x 1
	x 1
	x 1
	x 1

0 5 10 15 20 mm

5.8 mm

9.5 mm



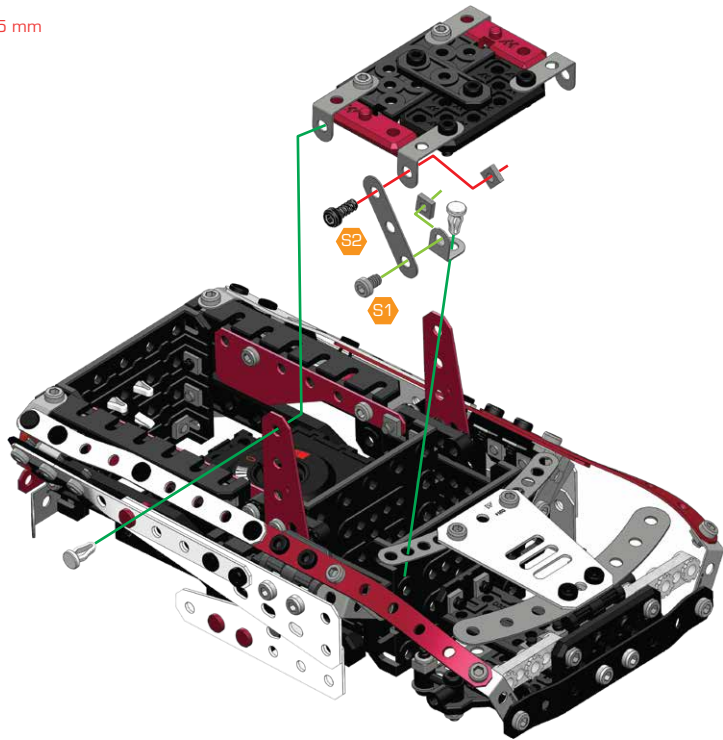


**29** 26+28

- S1 x 1
- S2 x 1
- x 2
- x 2
- x 1
- x 1

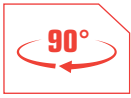


- S1 5.8 mm
- S2 9.5 mm

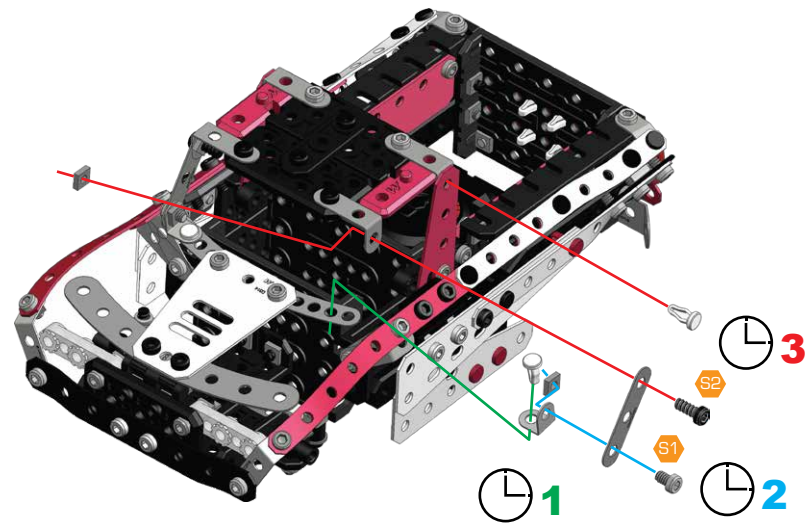


**30**

- S1 x 1
- S2 x 1
- x 2
- x 2
- x 2
- x 1
- x 1



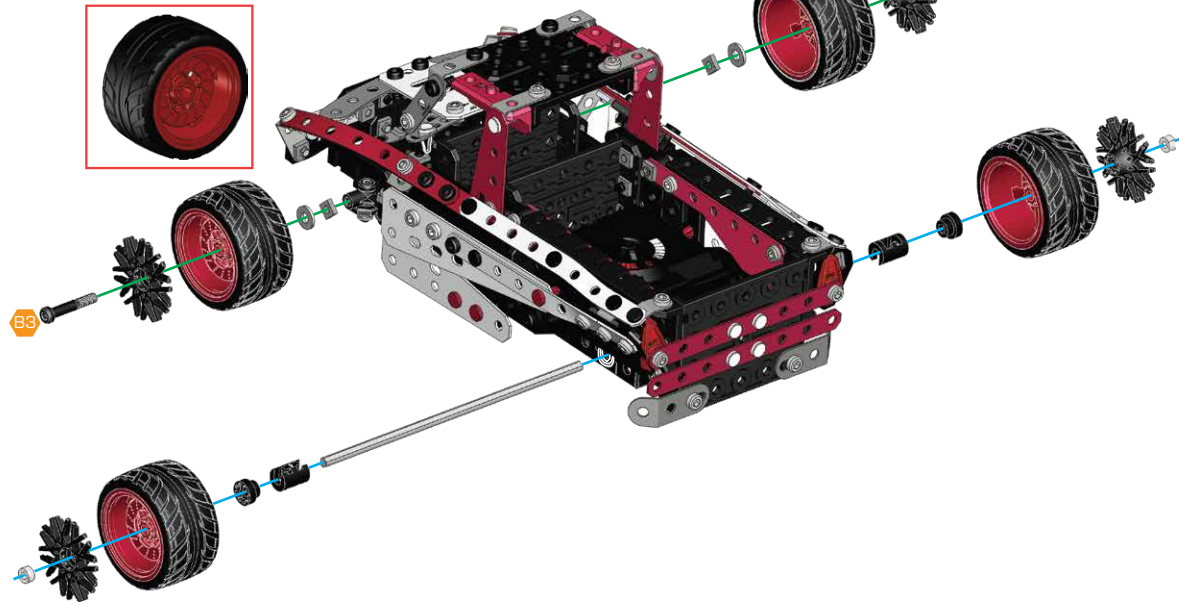
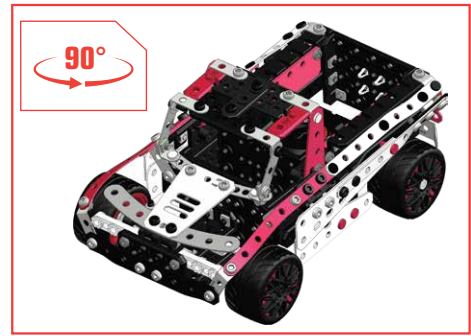
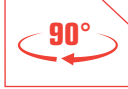
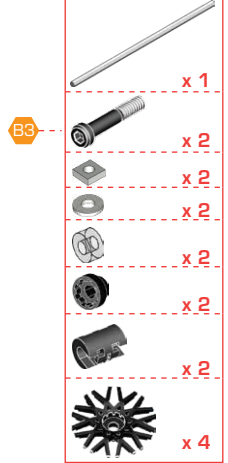
- S1 5.8 mm
- S2 9.5 mm



31



32 30+31



133.4 mm

