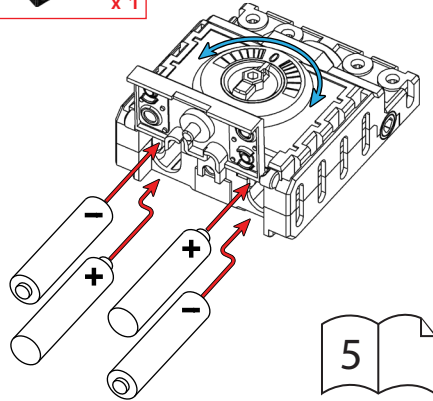
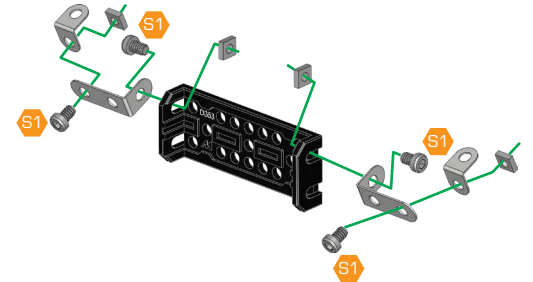
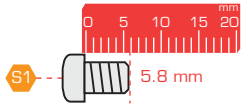


1



2

- S1 x 4
- x 4
- x 2
- x 2
- x 1

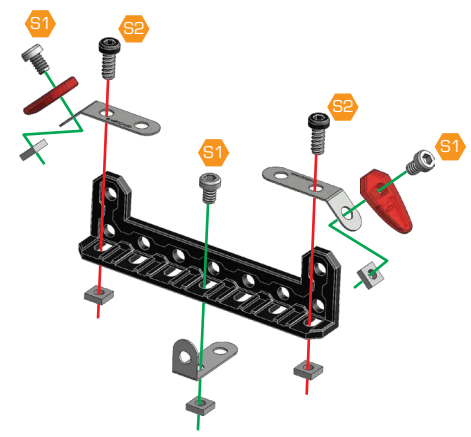


3

- S1 x 3
- S2 x 2
- x 5
- x 2
- x 1
- x 2
- x 1



- S1 5.8 mm
- S2 9.5 mm



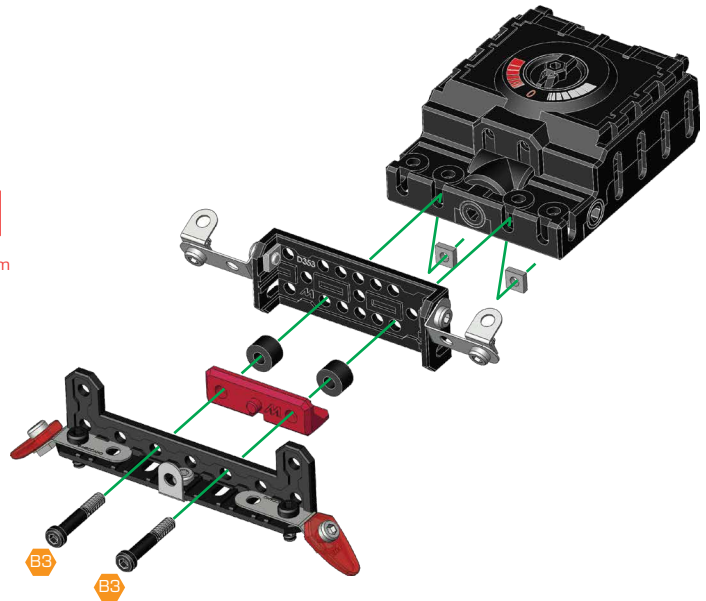
4

1+2+3

- B3 x 2
- x 2
- x 2
- x 1



- B3 23 mm



5

- S1 x 1
- x 1
- x 1
- x 1

0 5 10 15 20 mm

S1 5.8 mm

6 4+5

- S1 x 1
- S3 x 1
- x 1
- x 2
- x 1
- x 1

0 5 10 15 20 mm

S1 5.8 mm

S3 12 mm

7

- S1 x 2
- x 2
- x 1
- x 1
- x 1

0 5 10 15 20 mm

S1 5.8 mm

8

- S2 x 2
- x 2
- x 1
- x 1
- x 1

0 5 10 15 20 mm

S2 9.5 mm

9 6+7+8

- S3 x 2
- x 2
- x 1

0 5 10 mm

S3 12 mm

10

- S3 x 2
- x 2
- x 1

0 5 10 mm

S3 12 mm

11

- S1 x 1
- x 1
- x 1
- x 1

5.8 mm

S1

12 10+11

- S1 x 1
- S3 x 1
- x 1
- x 2
- x 1
- x 1

5.8 mm

12 mm

S1

S3

90°

S1

S3

13

- S1 x 2
- x 2
- x 1
- x 1
- x 1

5.8 mm

S1

S1

14

- S2 x 2
- x 2
- x 1
- x 1
- x 1

9.5 mm

S2

S2

15 12+13+14

- S3 x 2
- x 2
- x 1

12 mm

S3

S3

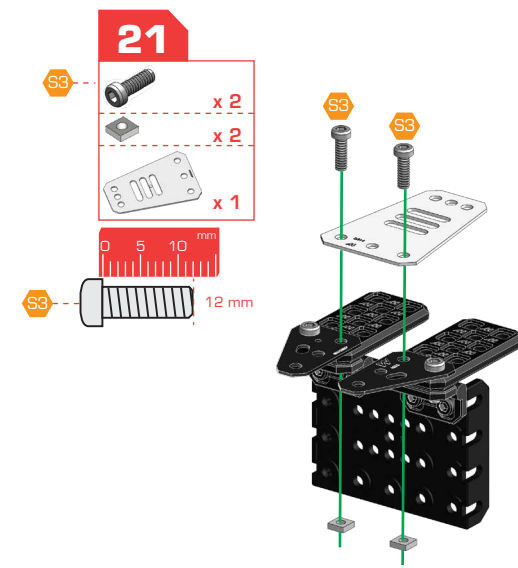
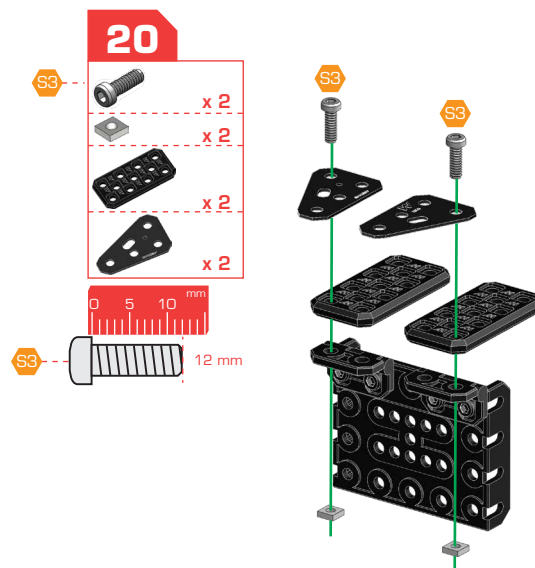
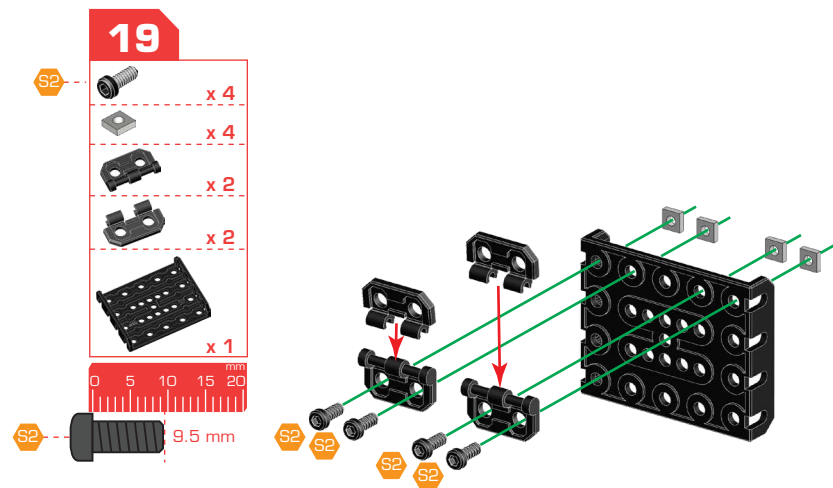
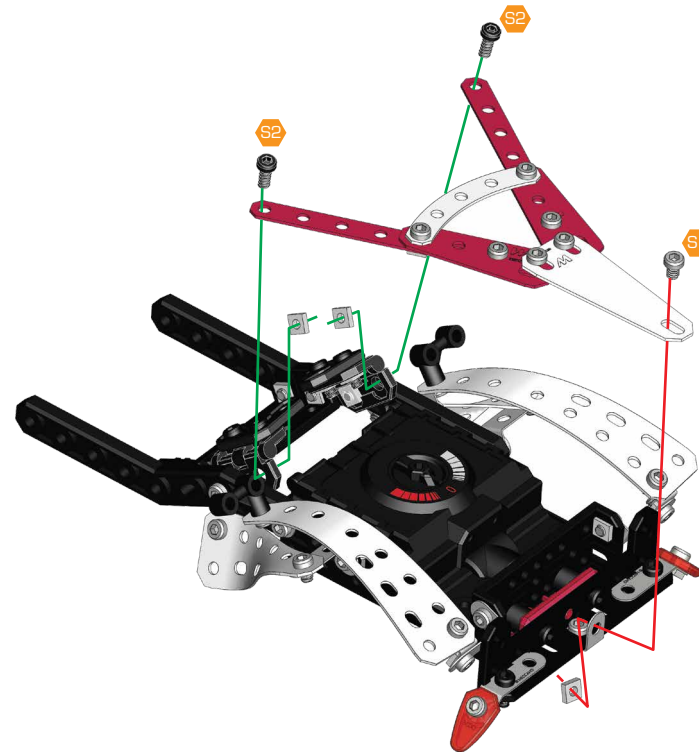
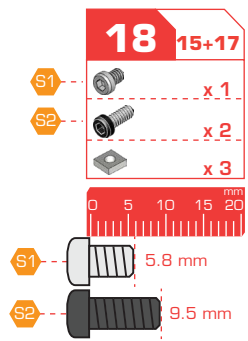
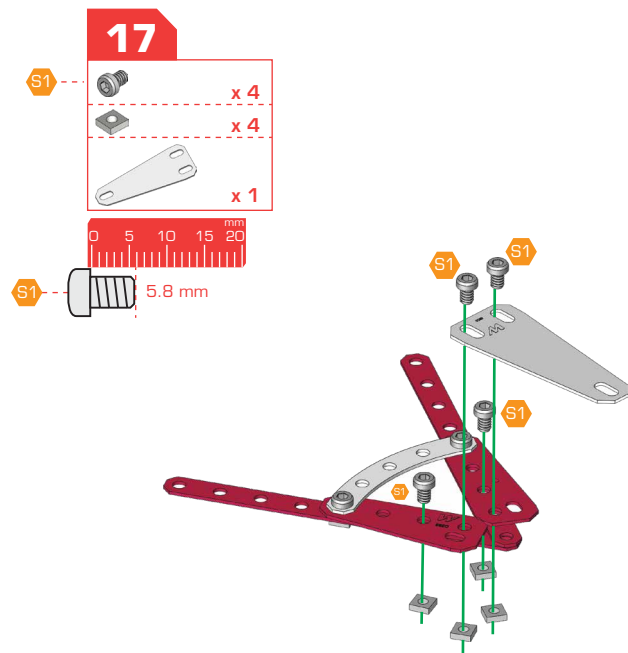
16

- S1 x 2
- x 2
- x 2
- x 1
- x 2

5.8 mm

S1

S1



22

- x 1
- x 1
- x 1

0 5 10 15 20 25 30 35 40 mm

25.4 mm

23

- x 3
- x 2
- x 1
- x 3

24 22+23

- x 1
- x 1
- x 1

25 21+24

- x 2
- x 2

0 5 10 15 20 mm

9.5 mm

26

- x 2
- x 2
- x 1

0 5 10 15 20 mm

9.5 mm

90°

27 18+26

- x 1
- x 1

0 5 10 mm

12 mm

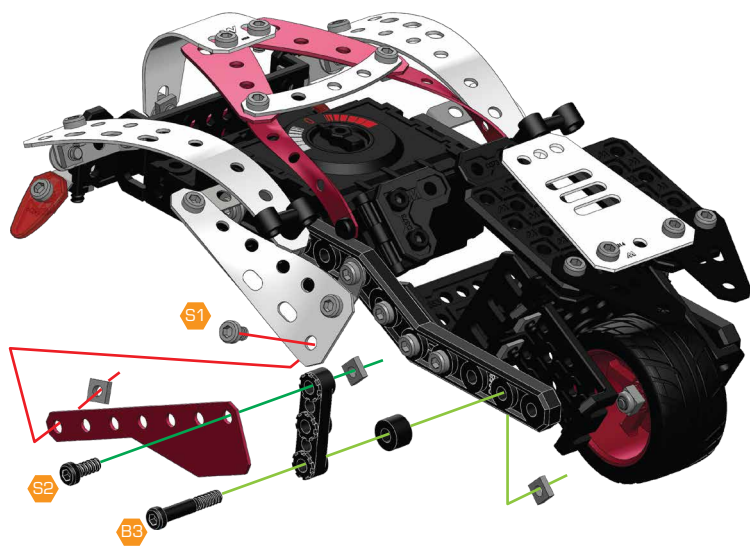
180°

28

- S1 x 1
- S2 x 1
- B3 x 1
- x 3
- x 1
- x 1
- x 1

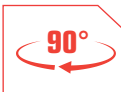


- S1 5.8 mm
- S2 9.5 mm
- B3 23 mm

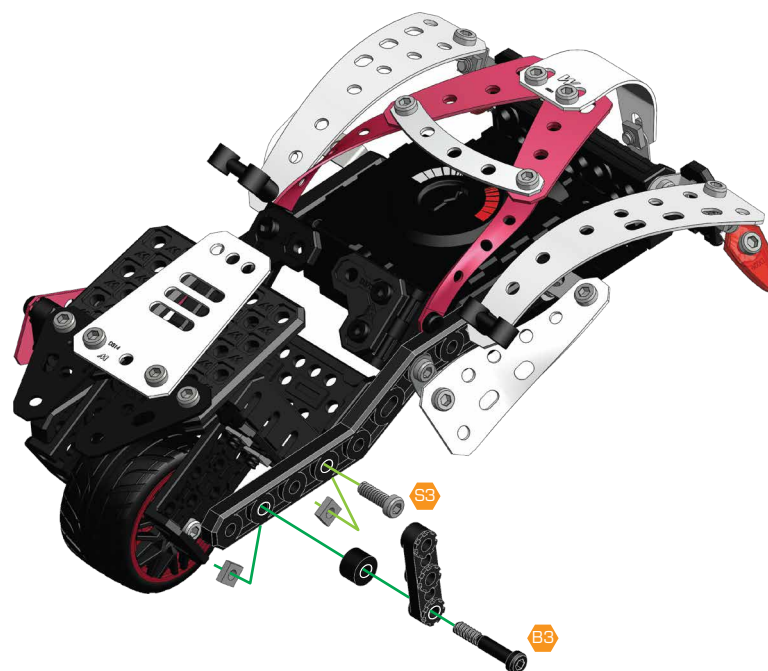


29

- S3 x 1
- B3 x 1
- x 2
- x 1
- x 1

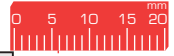


- S3 12 mm
- B3 23 mm

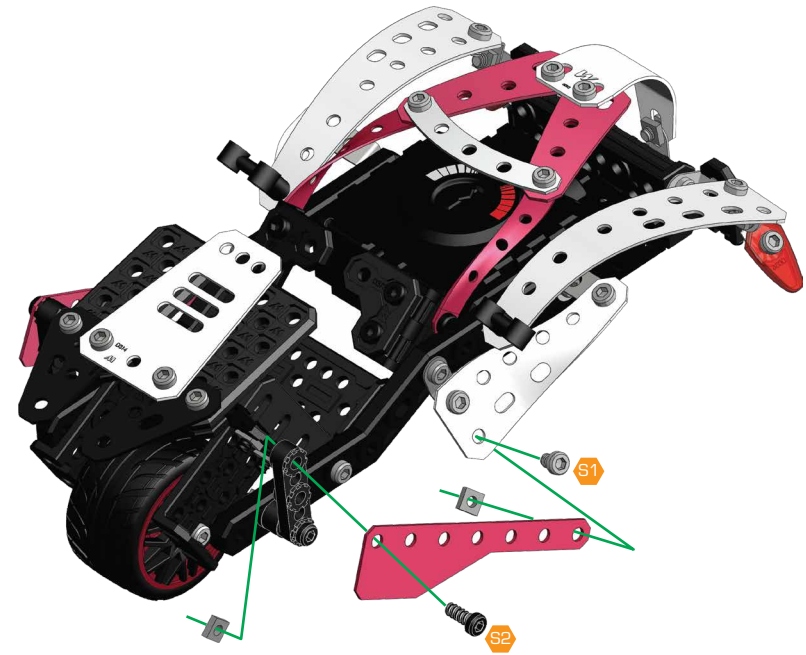


30

- S1 x 1
- S2 x 1
- x 2
- x 1

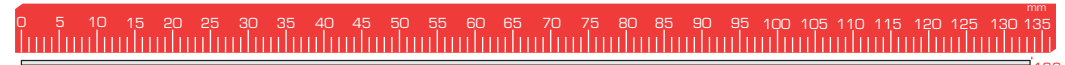
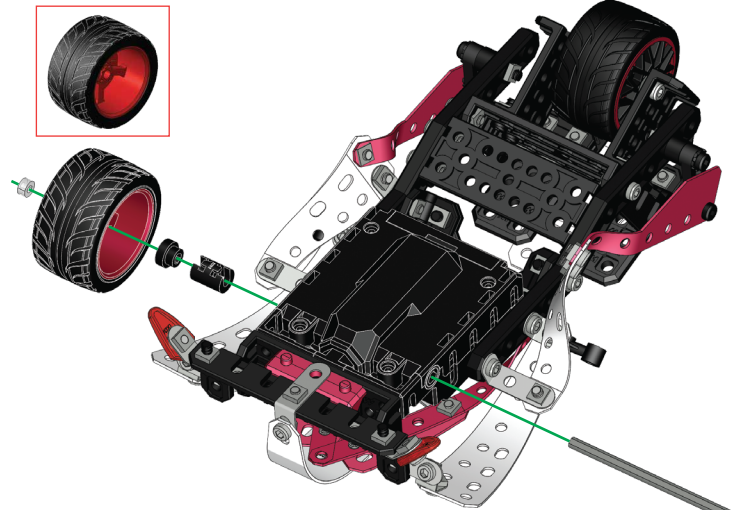


- S1 5.8 mm
- S2 9.5 mm



31 23+30

- x 1
- x 2
- x 2
- x 2



133.4 mm

