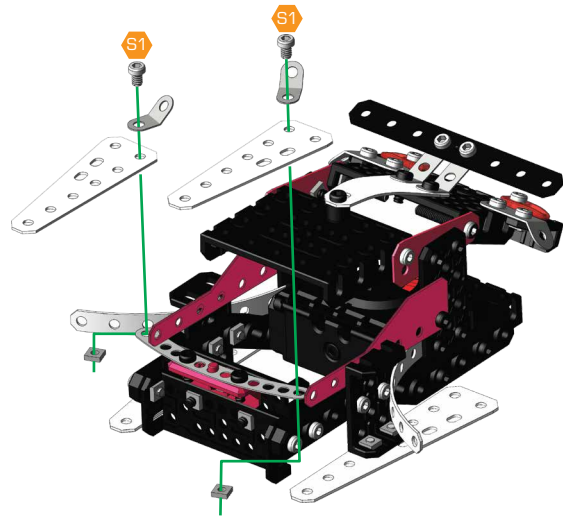
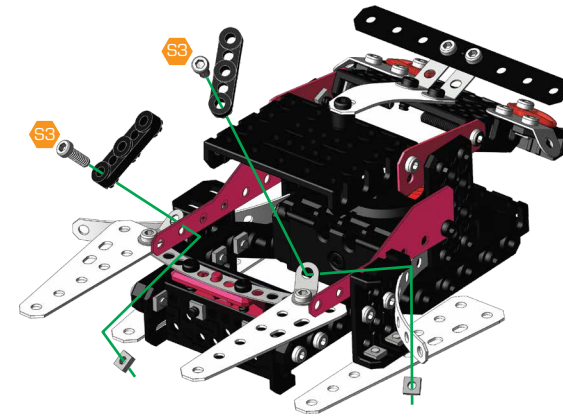


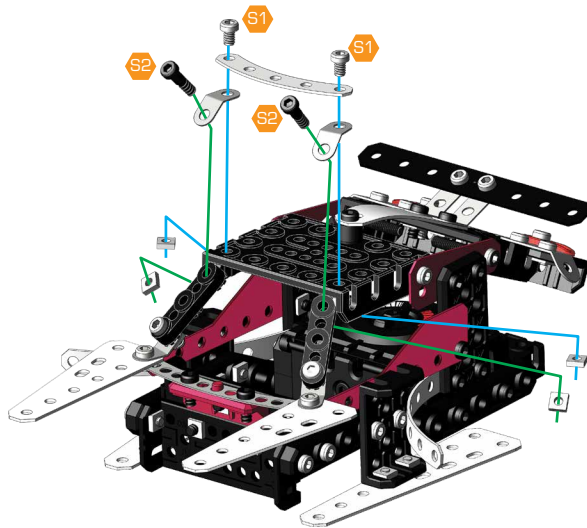
- 19**
- S1 x 2
 - x 2
 - x 2
 - x 2
- 0 5 10 mm
- S1 5.8 mm



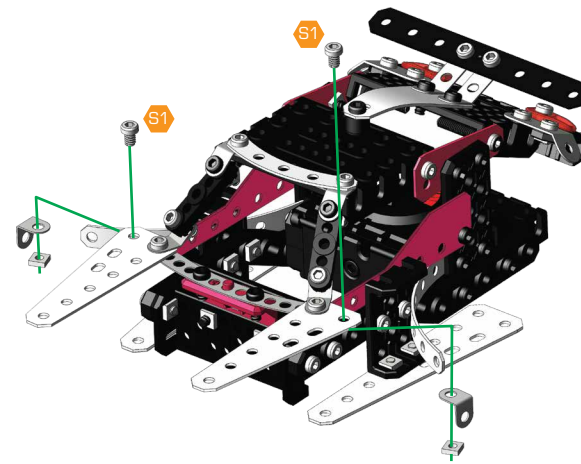
- 20**
- S3 x 2
 - x 2
 - x 2
- 0 5 10 mm
- S3 12 mm

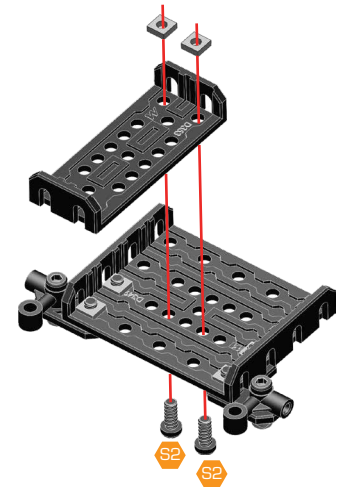
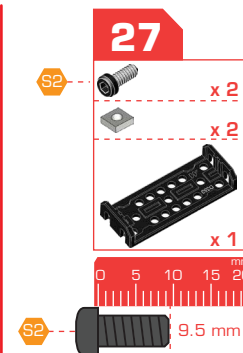
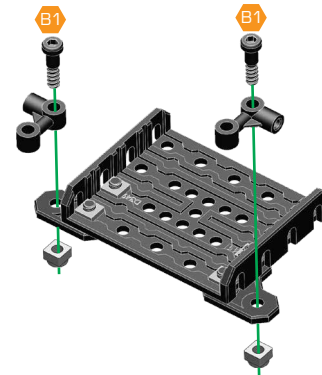
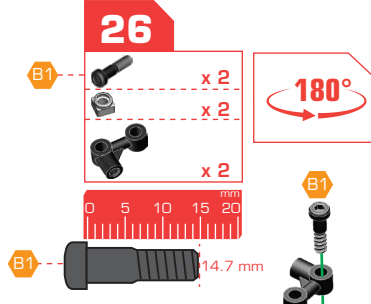
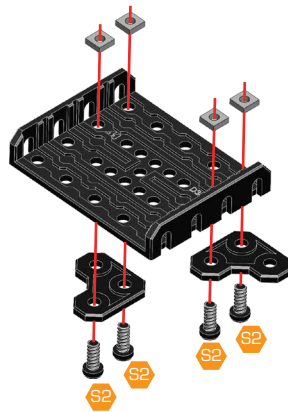
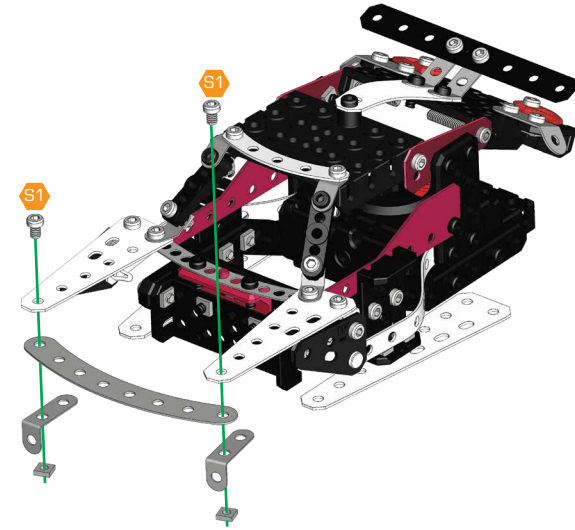
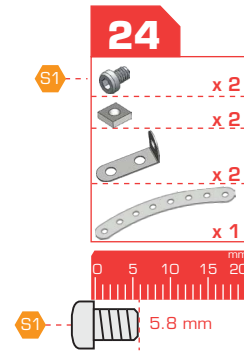
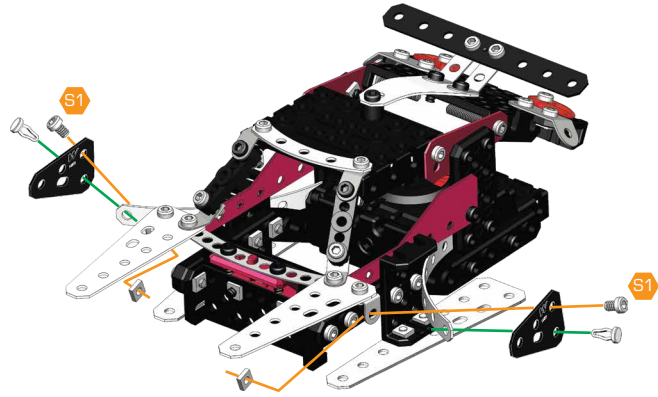
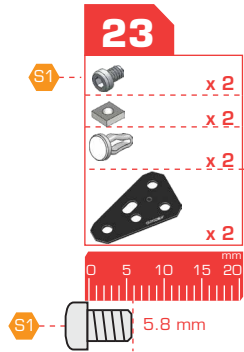


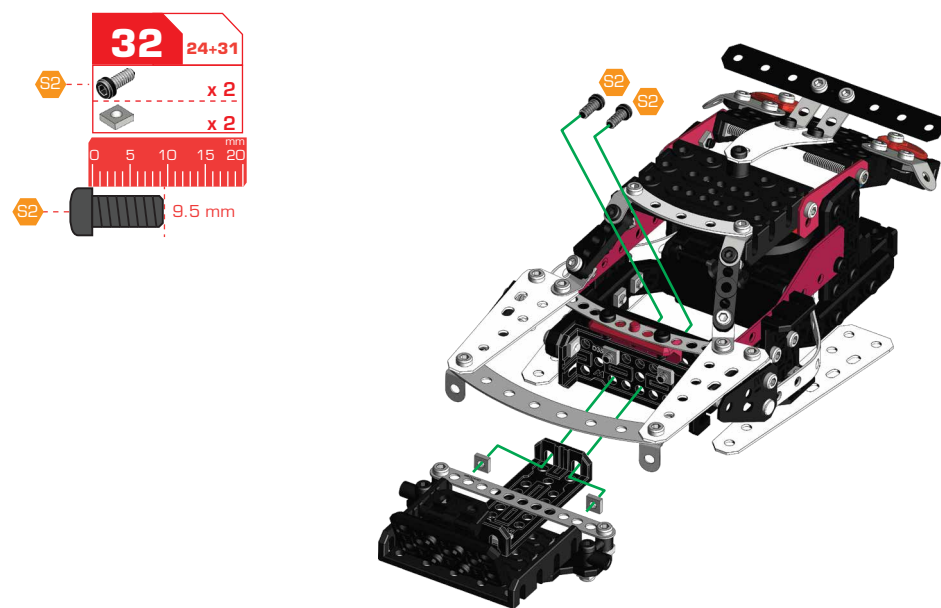
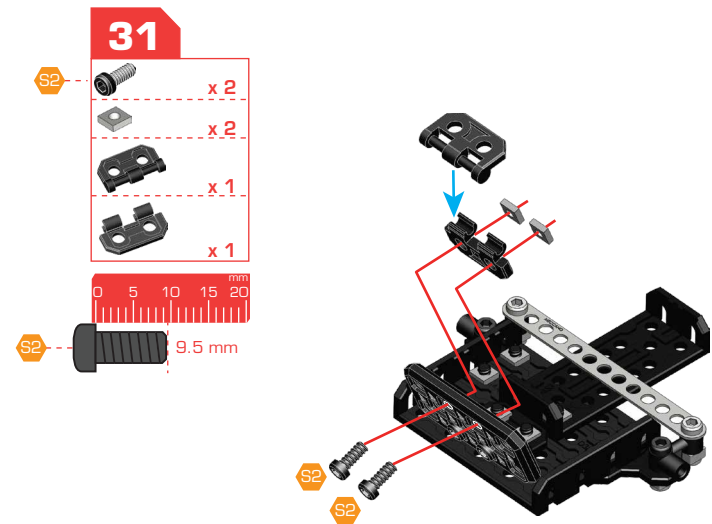
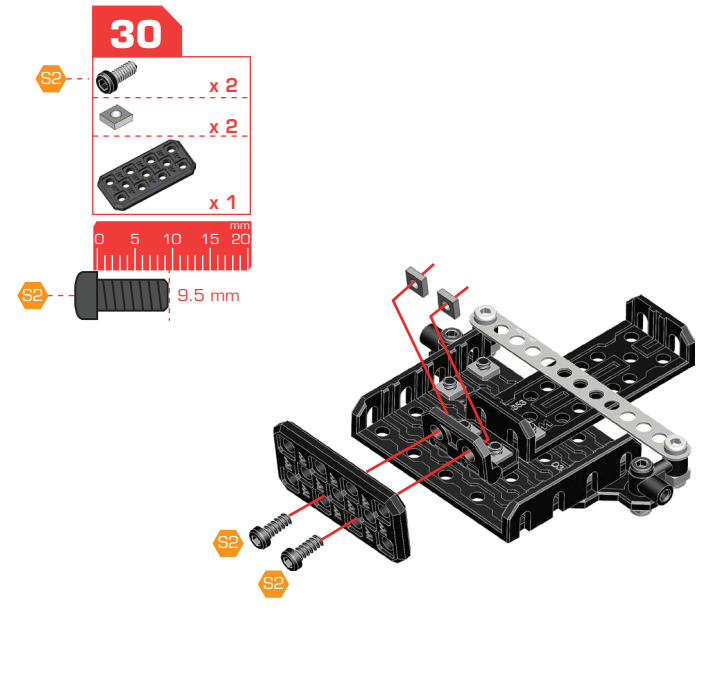
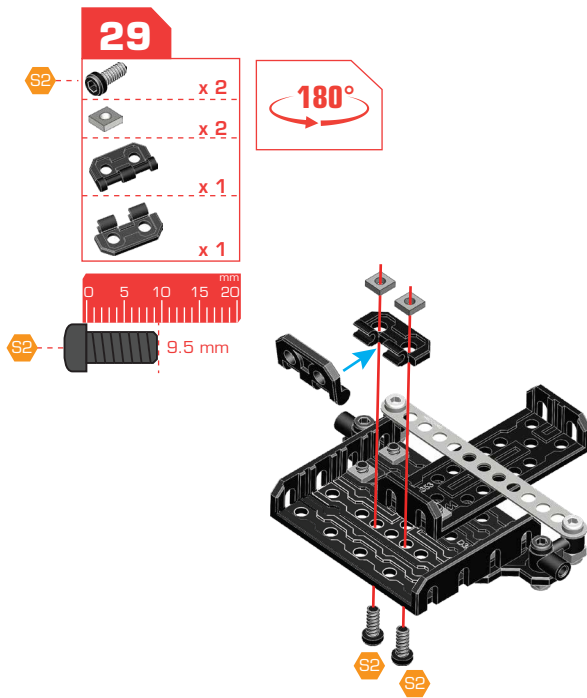
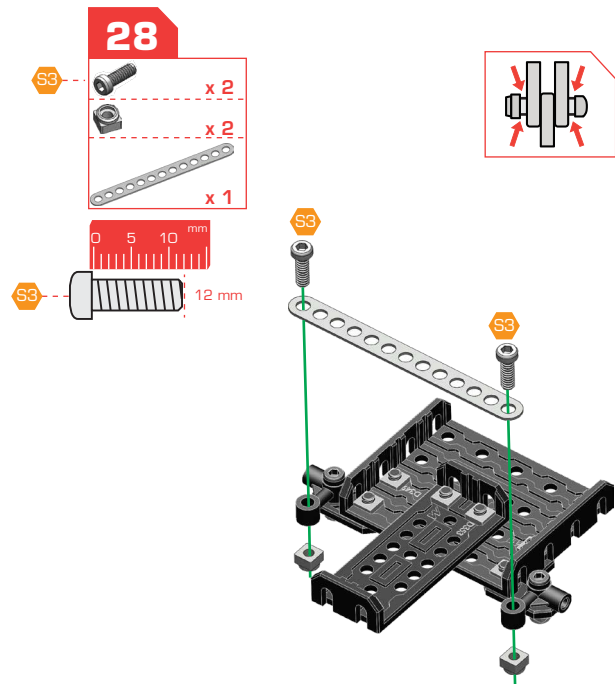
- 21**
- S1 x 2
 - S2 x 2
 - x 4
 - x 2
 - x 1
- 0 5 10 15 20 mm
- S1 5.8 mm
- S2 9.5 mm

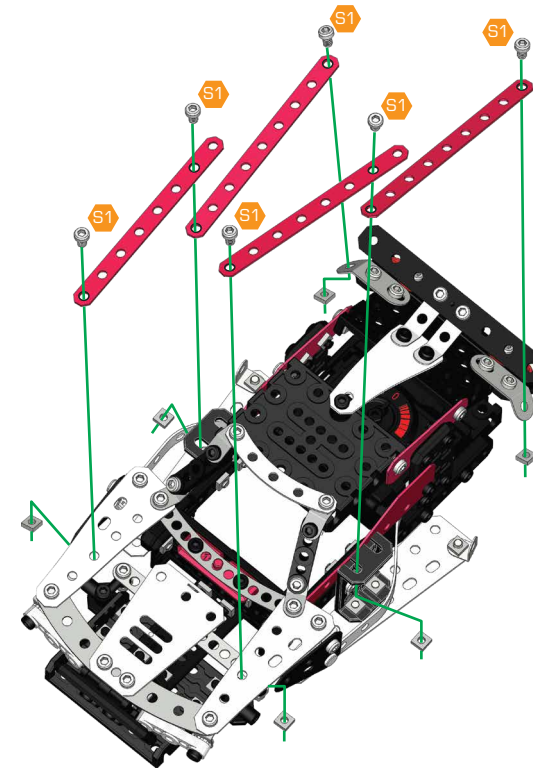
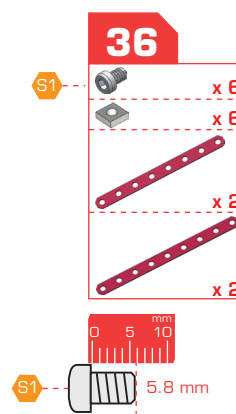
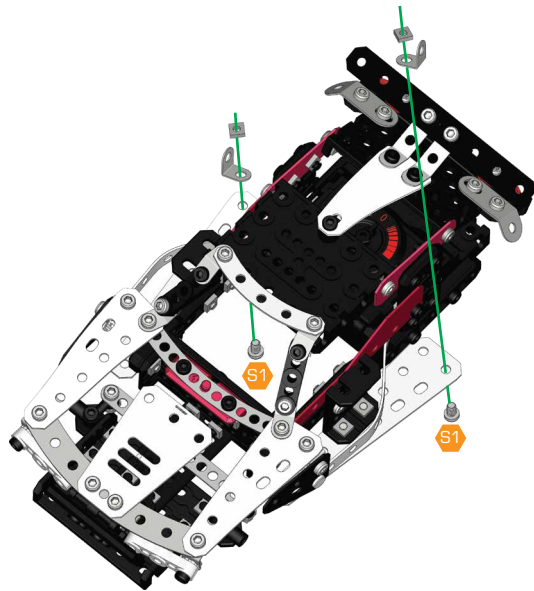
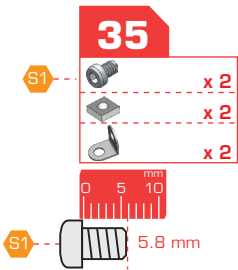
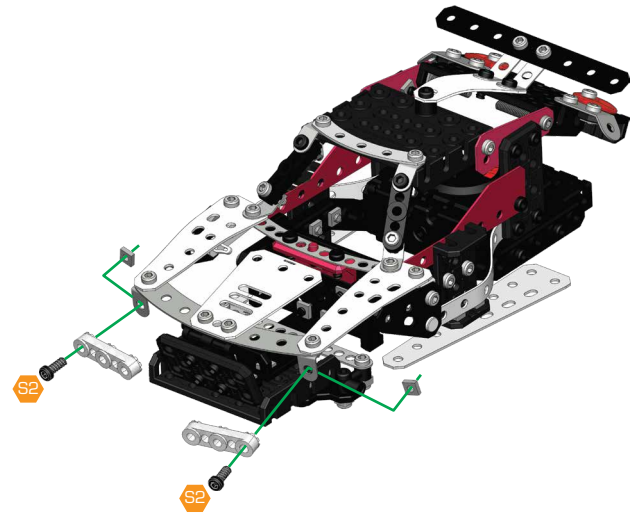
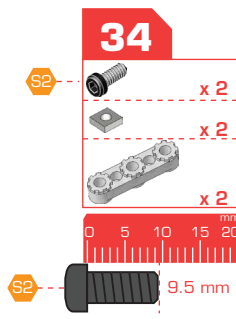
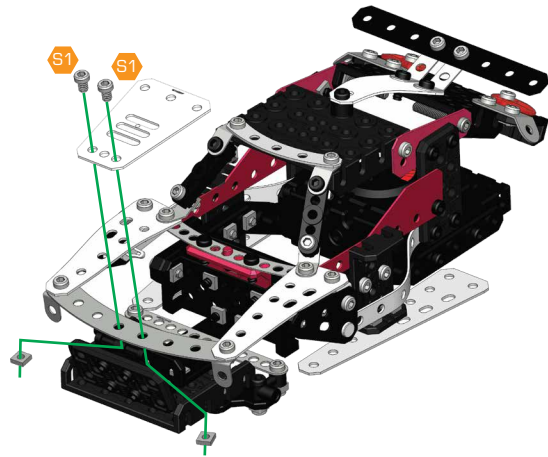
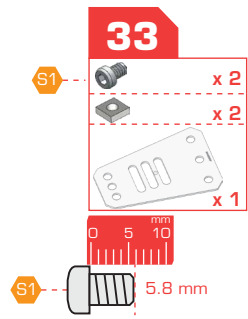


- 22**
- S1 x 2
 - x 2
 - x 2
- 0 5 10 mm
- S1 5.8 mm









37

- x 1
- x 1
- x 1
- x 1

5.8 mm

38

- x 1
- x 1
- x 1
- x 1

90°

5.8 mm

39

- x 4
- x 4
- x 4

x2

x2


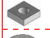

40 **38+39**

- x 2
- x 2
- x 2
- x 1


90°

133.4 mm

41 39+40

-  x 2
-  x 2
-  x 2

0 5 10 15 20 25 30 mm

 23 mm

