




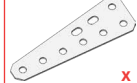

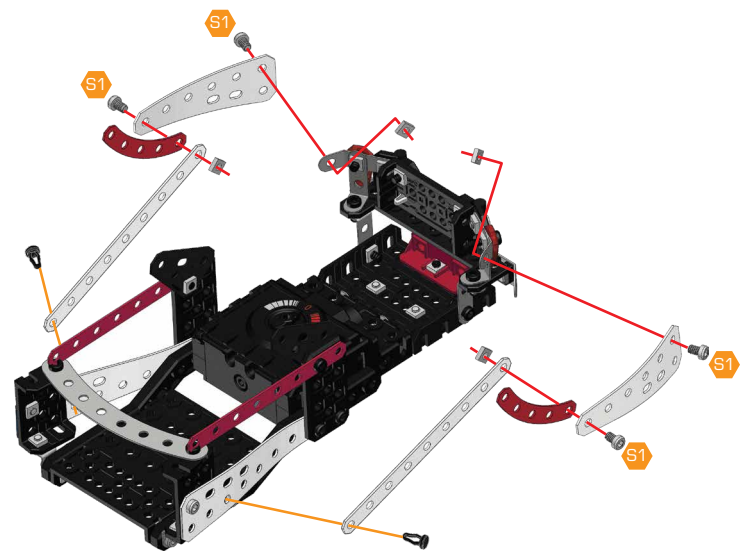



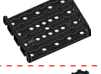


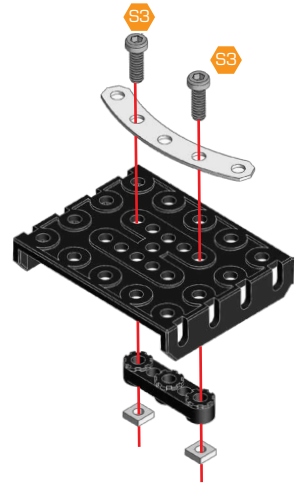



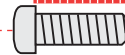


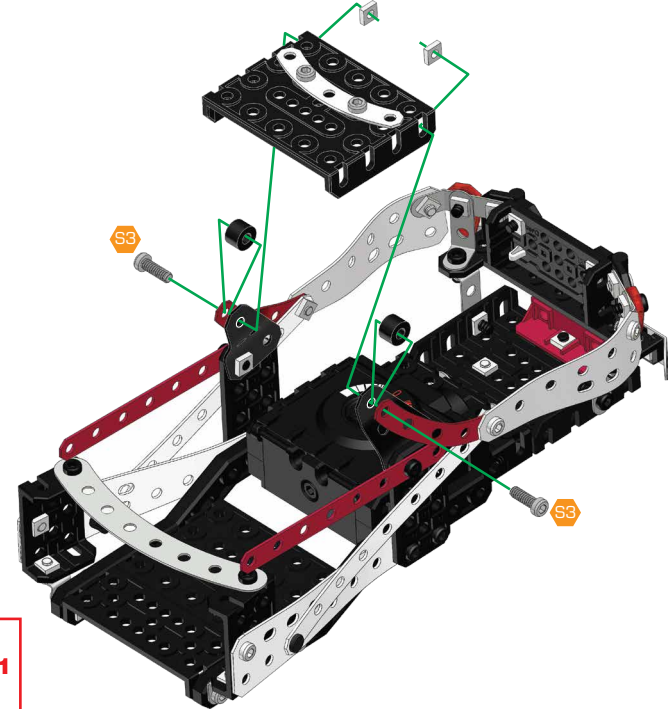
- 17**
-  x 4
  -  x 2
  -  x 4
  -  x 2
  -  x 2
  -  x 2
-  5.8 mm







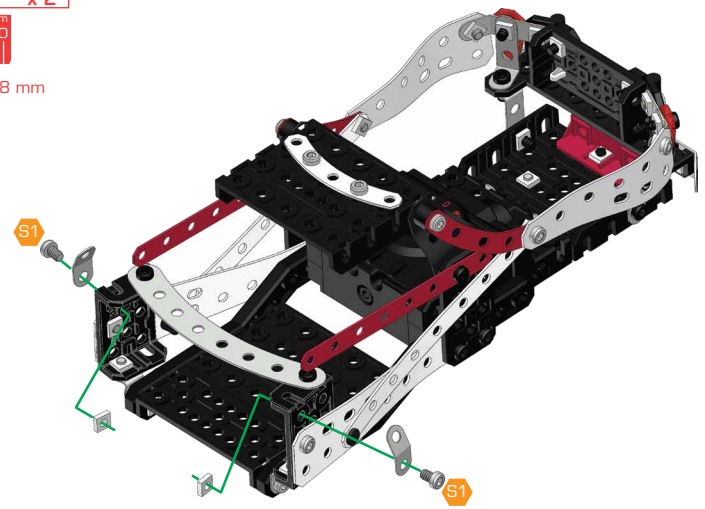
- 18**
-  x 2
  -  x 2
  -  x 1
  -  x 1
  -  x 1
  -  12 mm

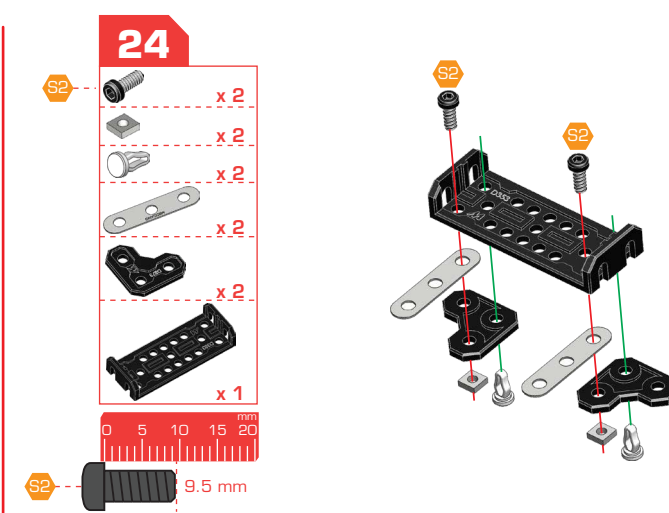
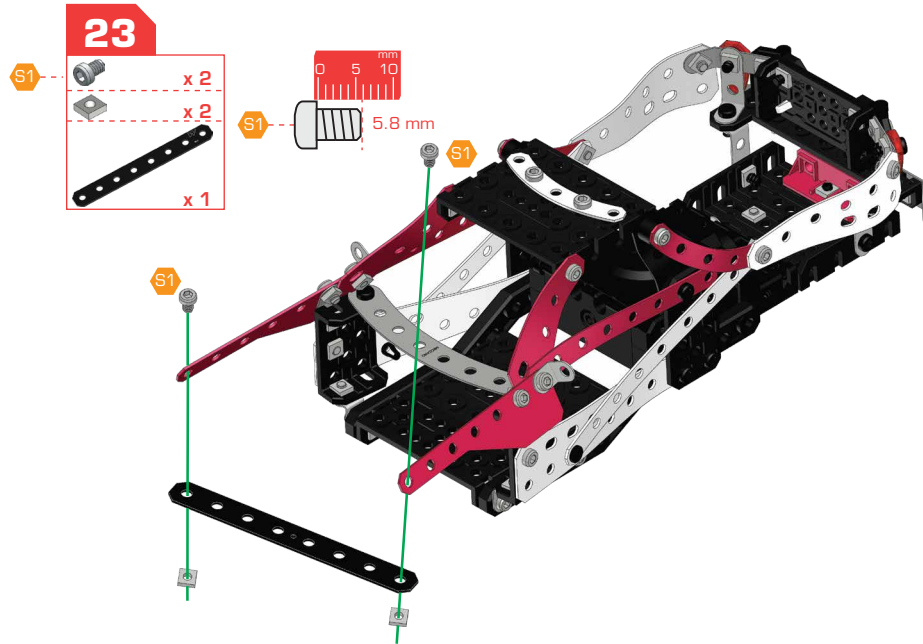
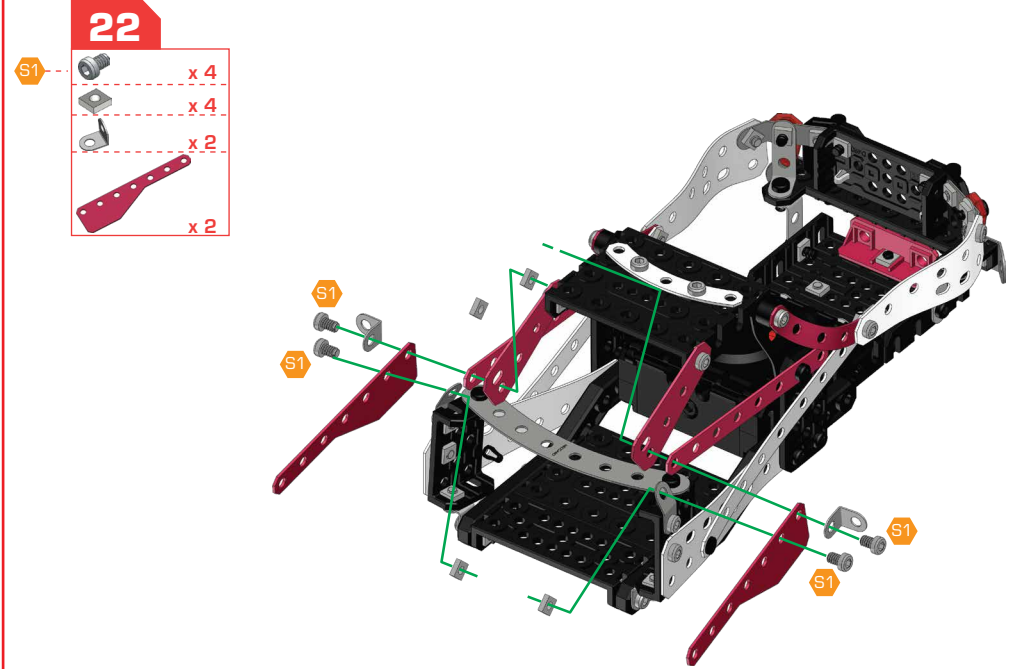
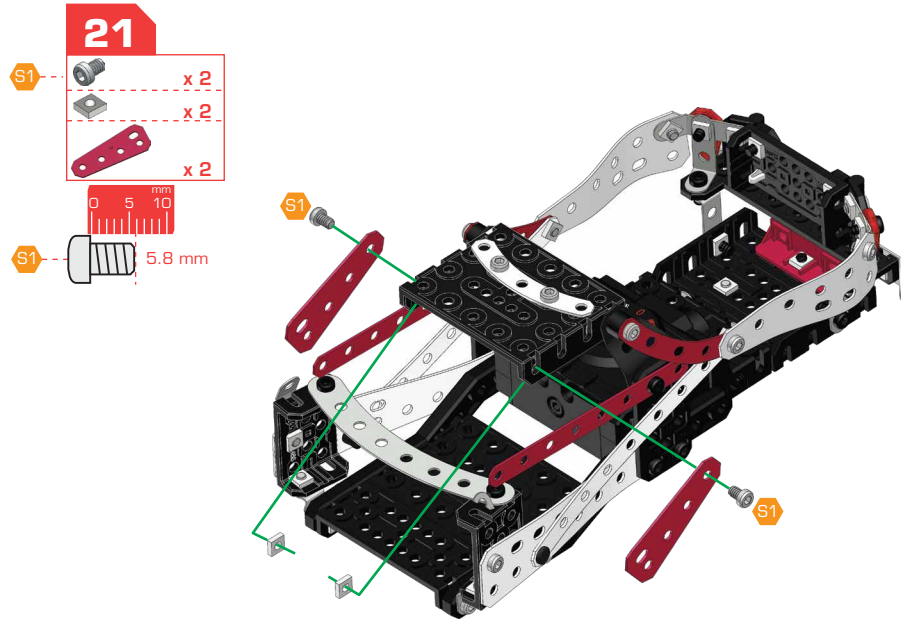


- 19** 17+18
-  x 2
  -  x 2
  -  x 2
  -  12 mm



- 20**
-  x 2
  -  x 2
  -  x 2
  -  5.8 mm





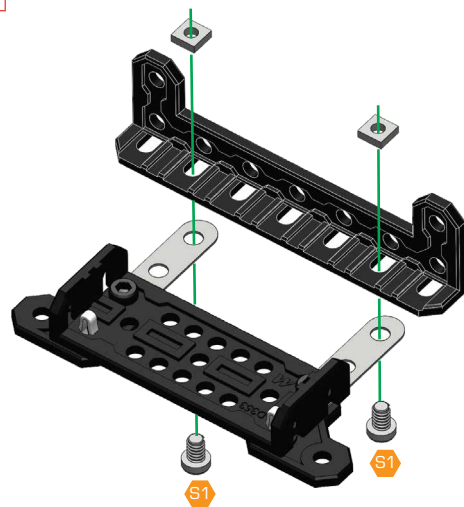
**25**

- S1 x 2
- x 2
- x 1

180°

0 5 10 mm

S1 5.8 mm



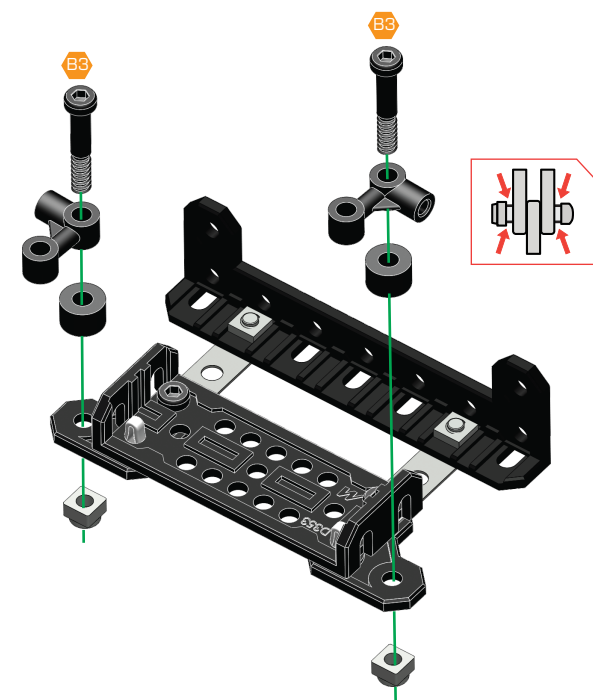
**26**

- B3 x 2
- x 2
- x 2
- x 2

0 5 10 15 20 25 30 mm

B3 23 mm

A238 1:1

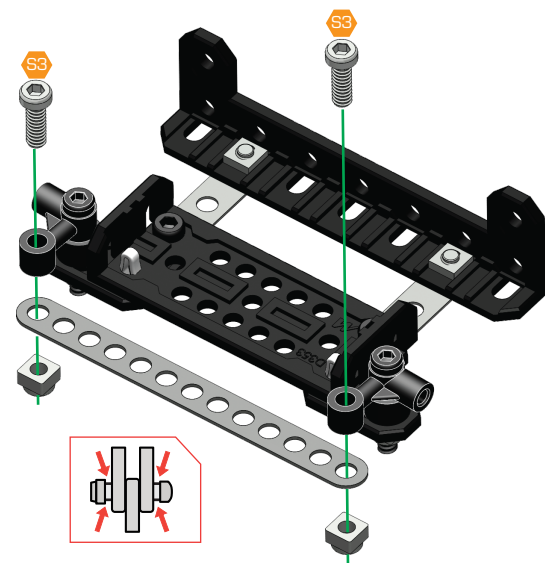


**27**

- S3 x 2
- x 2
- x 1

0 5 10 mm

S3 12 mm

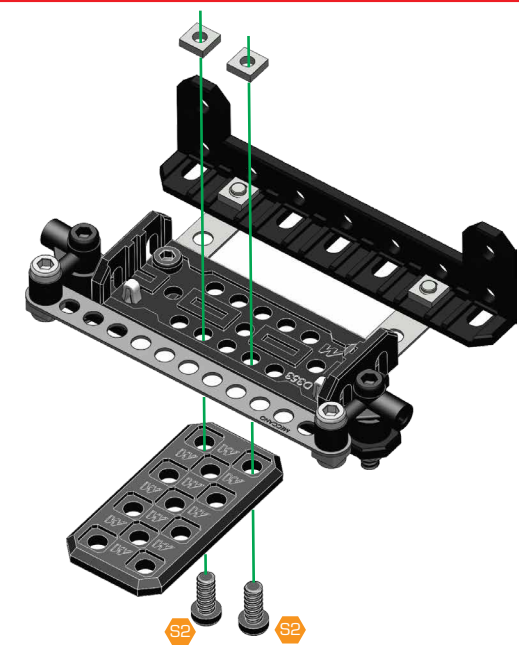


**28**

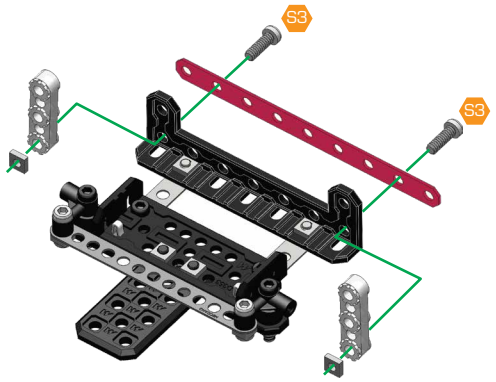
- S2 x 2
- x 2
- x 1

0 5 10 15 20 mm

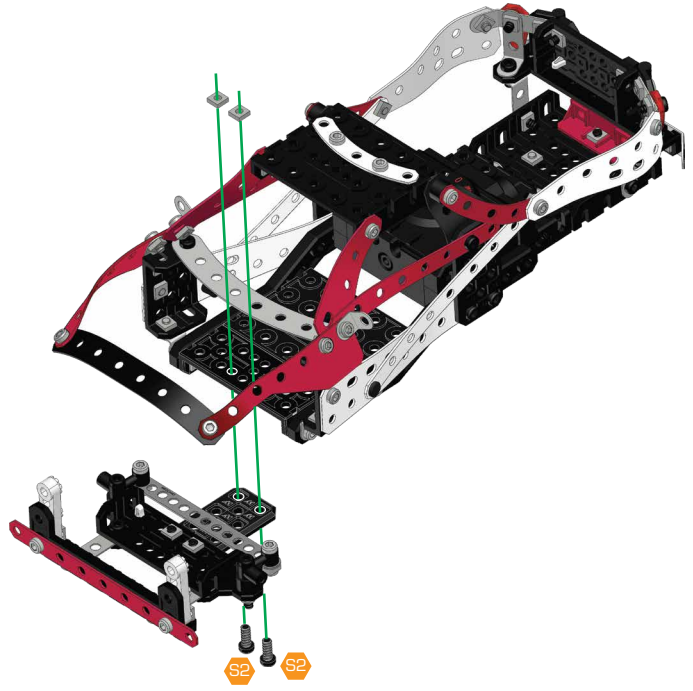
S2 9.5 mm



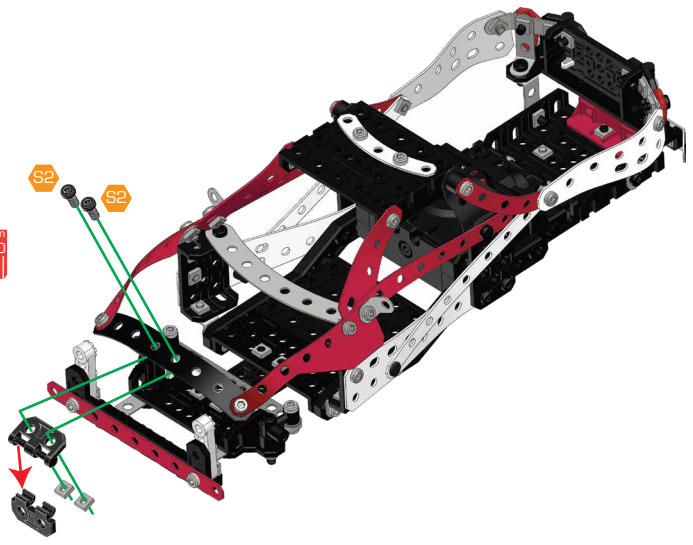
- 29**
- S3 x 2
  - x 2
  - x 2
  - x 1
  - 0 5 10 mm
  - S3 12 mm



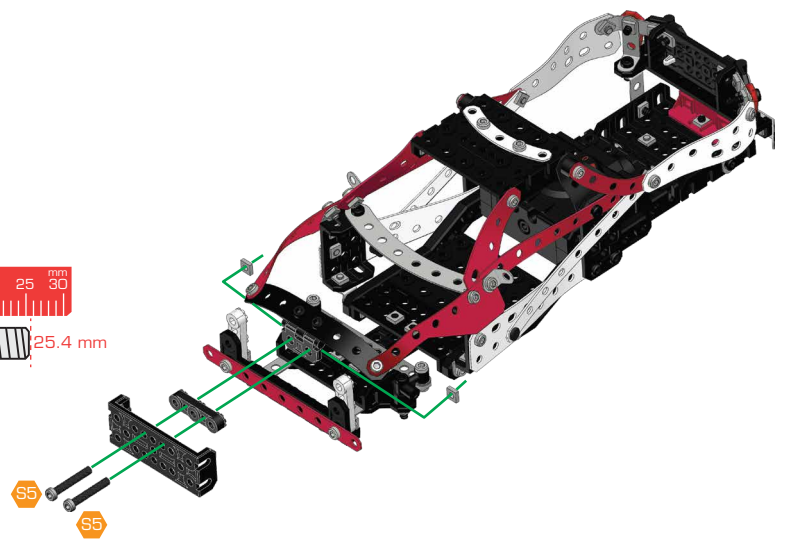
- 30** 23+29
- S2 x 2
  - x 2
  - 0 5 10 15 20 mm
  - S2 9.5 mm



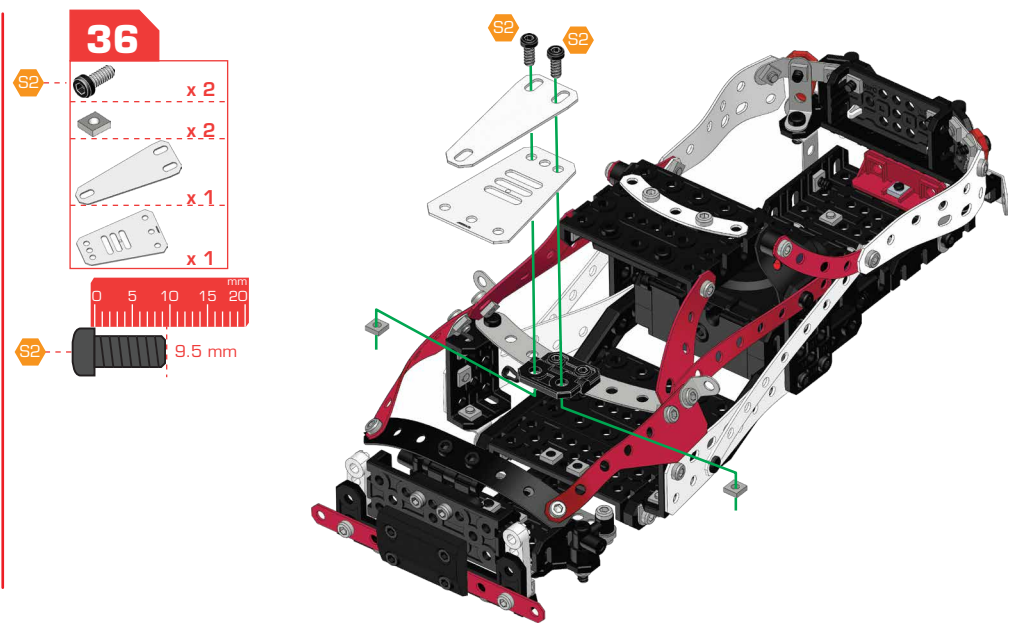
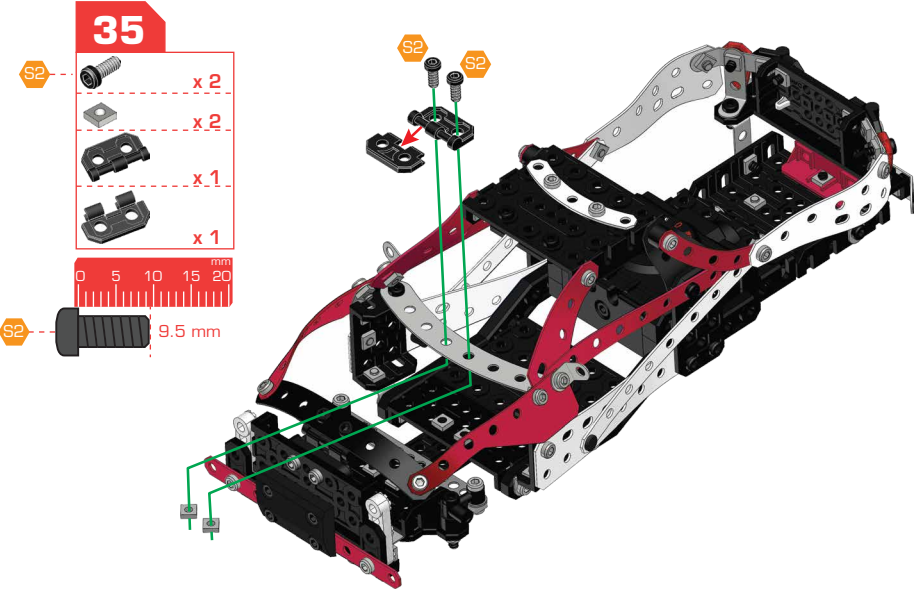
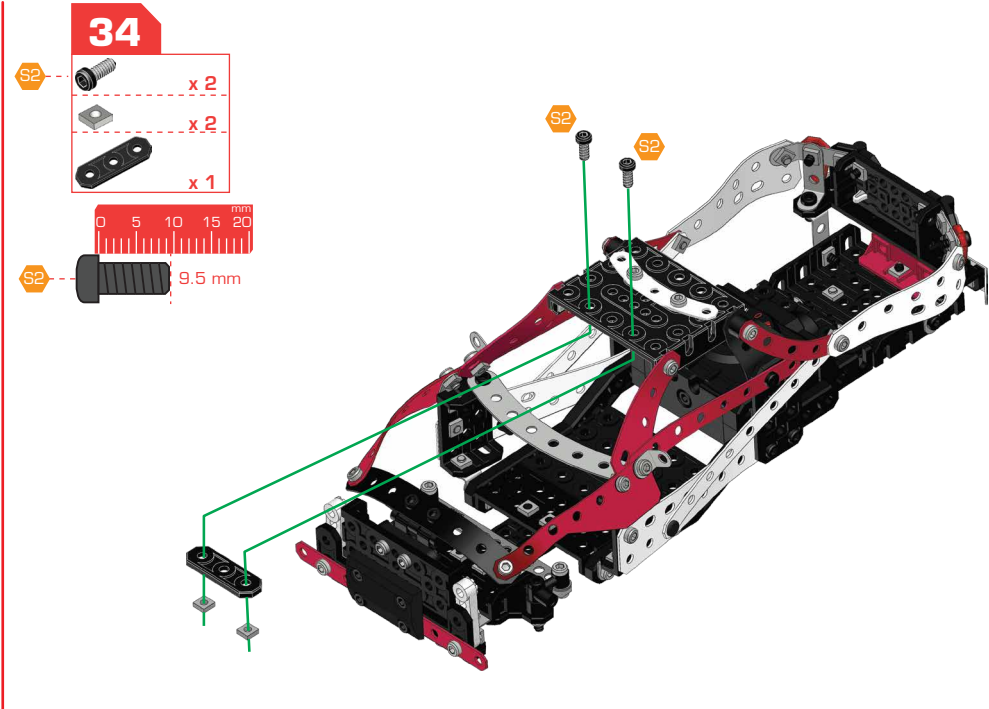
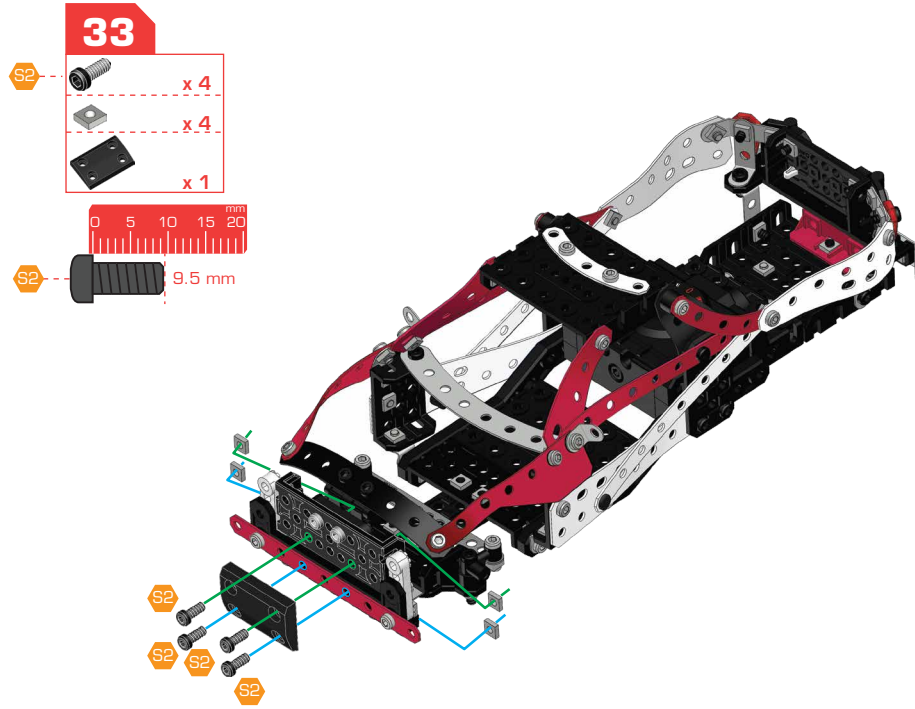
- 31**
- S2 x 2
  - x 2
  - x 1
  - x 1
  - 0 5 10 15 20 mm
  - S2 9.5 mm



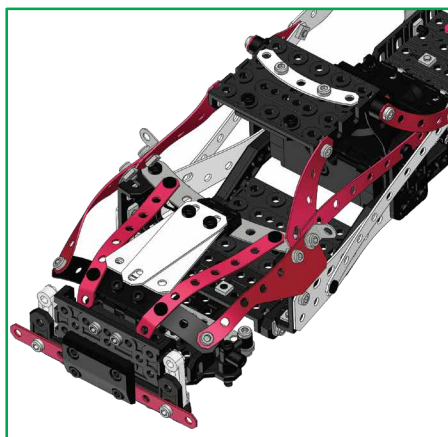
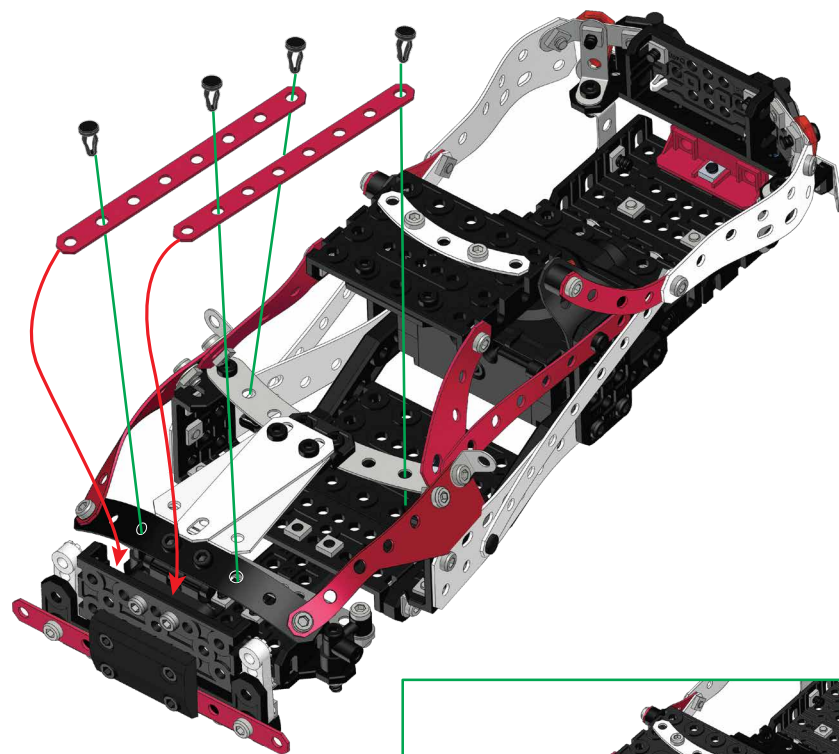
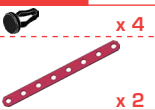
- 32**
- S5 x 2
  - x 2
  - x 1
  - x 1
  - 0 5 10 15 20 25 30 mm
  - S5 25.4 mm



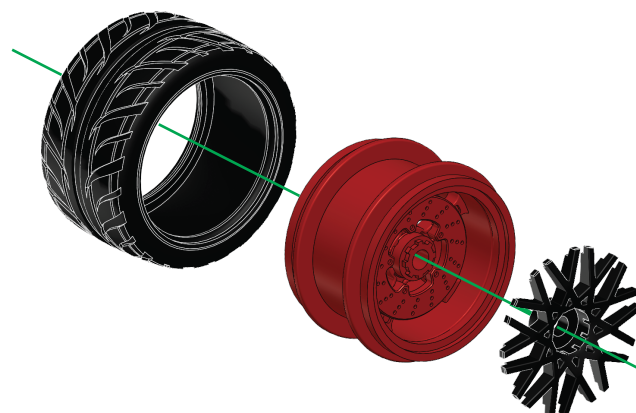








37

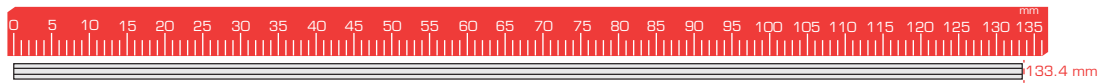
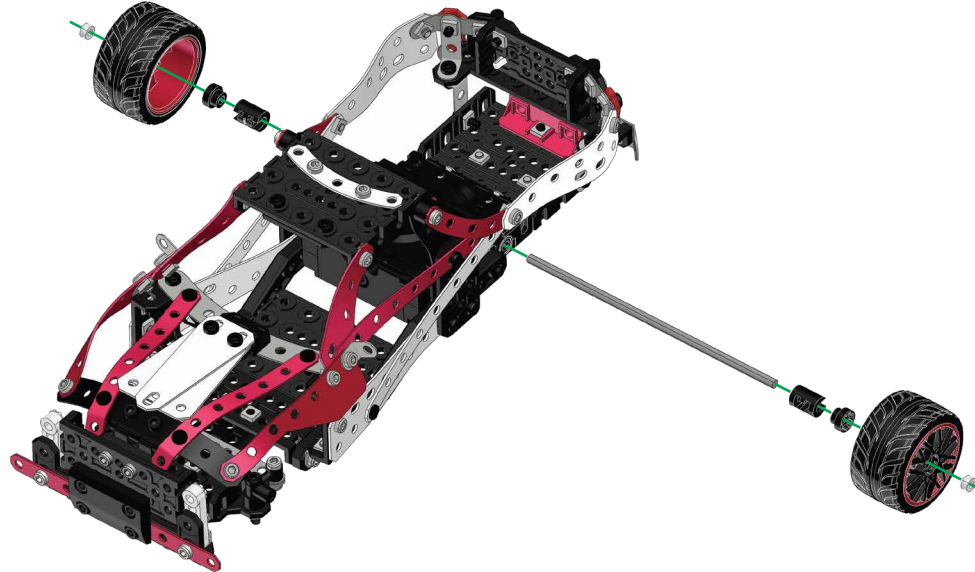


38





**39** 37+38

-  x 2
-  x 2
-  x 2
-  x 1



**40** 38+39

-  x 2
-  x 2

