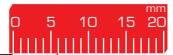
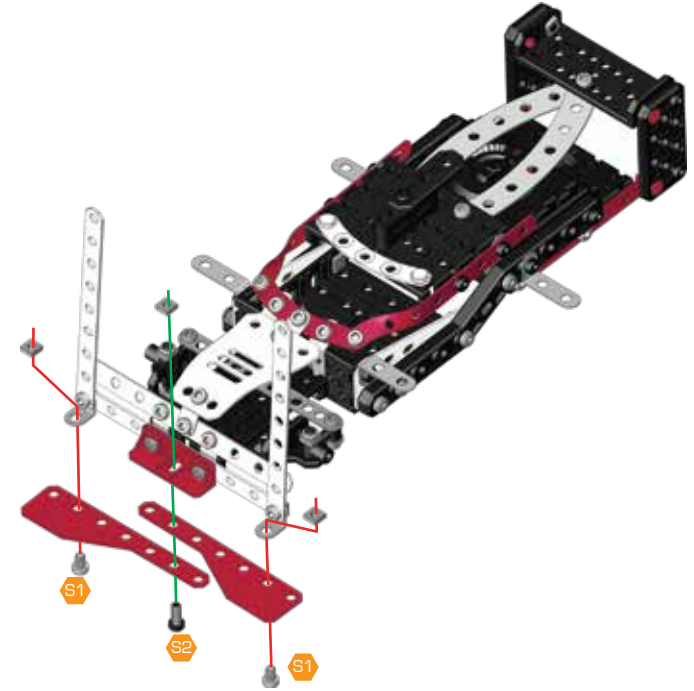


- 22**
- S1 x 2
 - S2 x 1
 - x 3
 - x 2



- S1 5.8 mm
- S2 9.5 mm

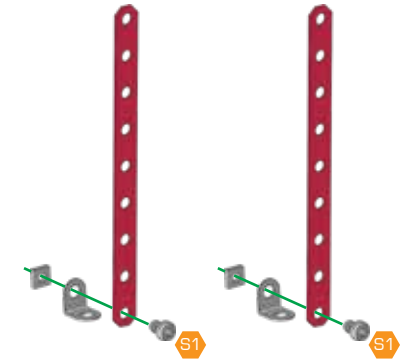


23

- S1 x 2
- x 2
- x 2
- x 2



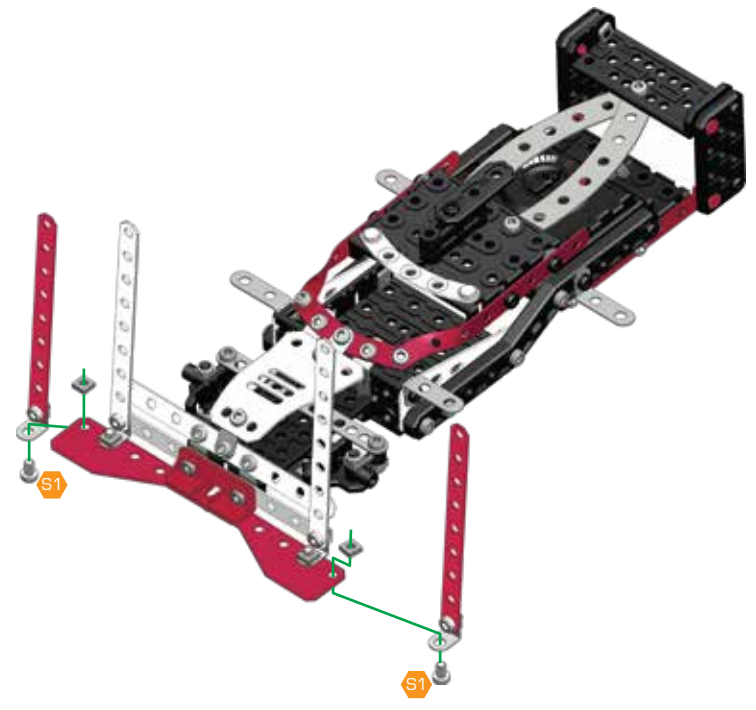
- S1 5.8 mm



- 24** 22+23
- S1 x 2
 - x 2



- S1 5.8 mm



25

- x 2
- x 2
- x 1
- x 1

90°

9.5 mm

26

- x 2
- x 2
- x 1
- x 1
- x 1
- x 1
- x 1
- x 1

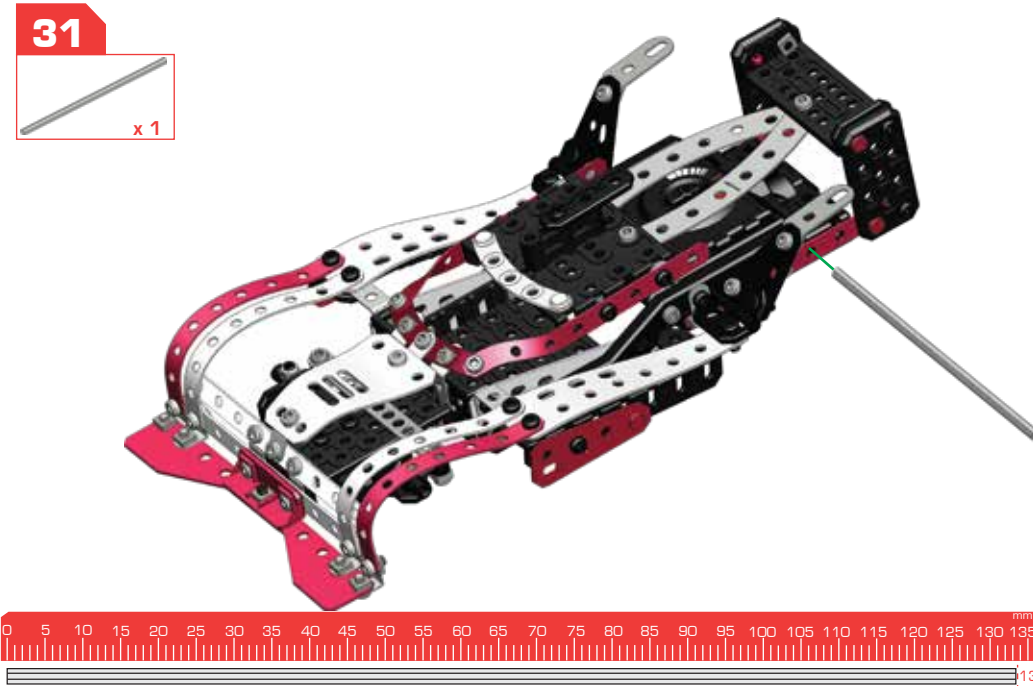
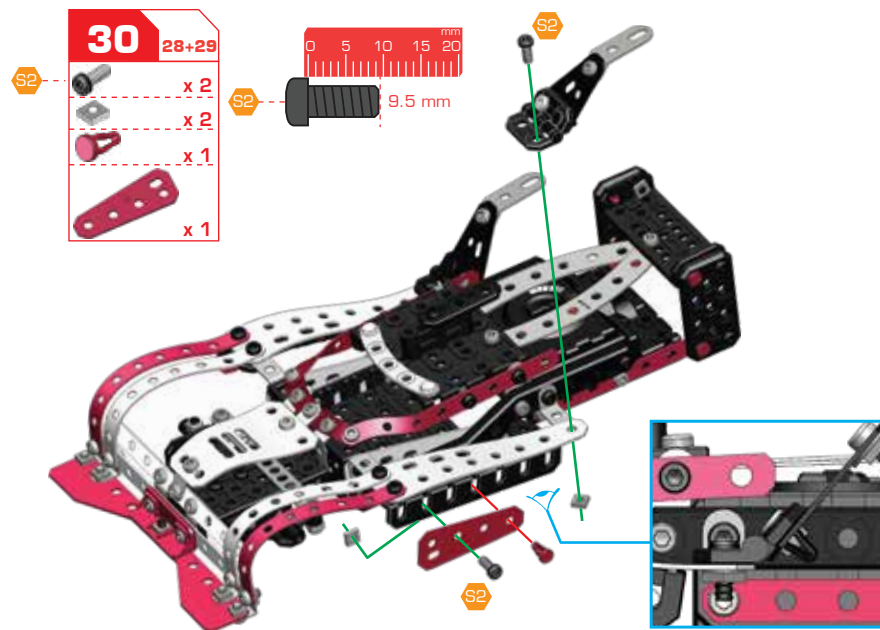
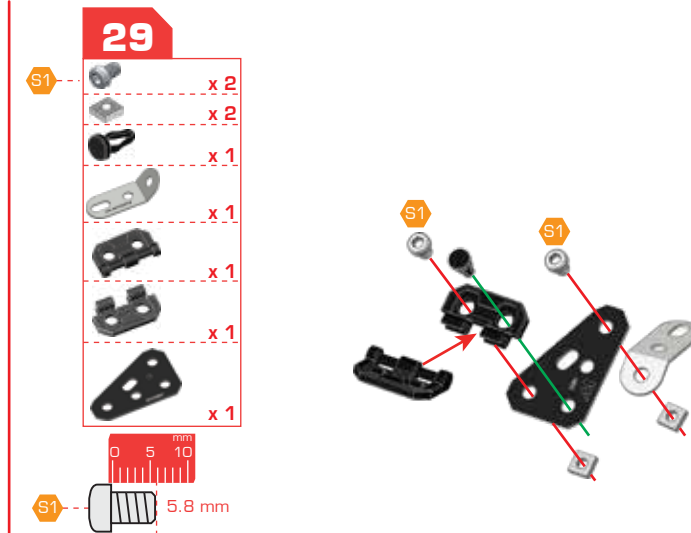
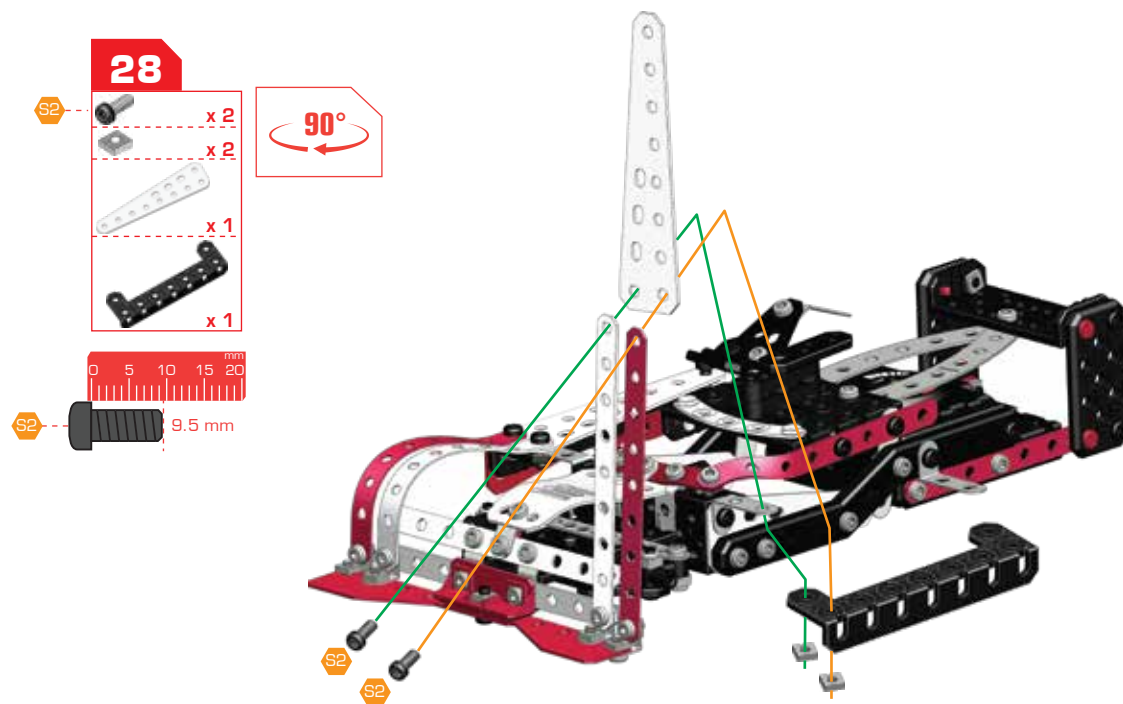
5.8 mm

27

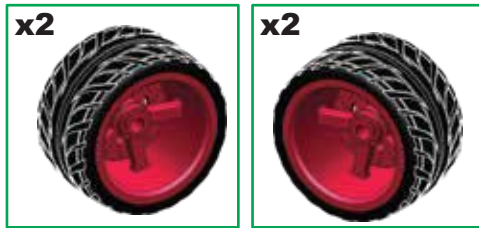
25+26

- x 2
- x 2
- x 1
- x 1

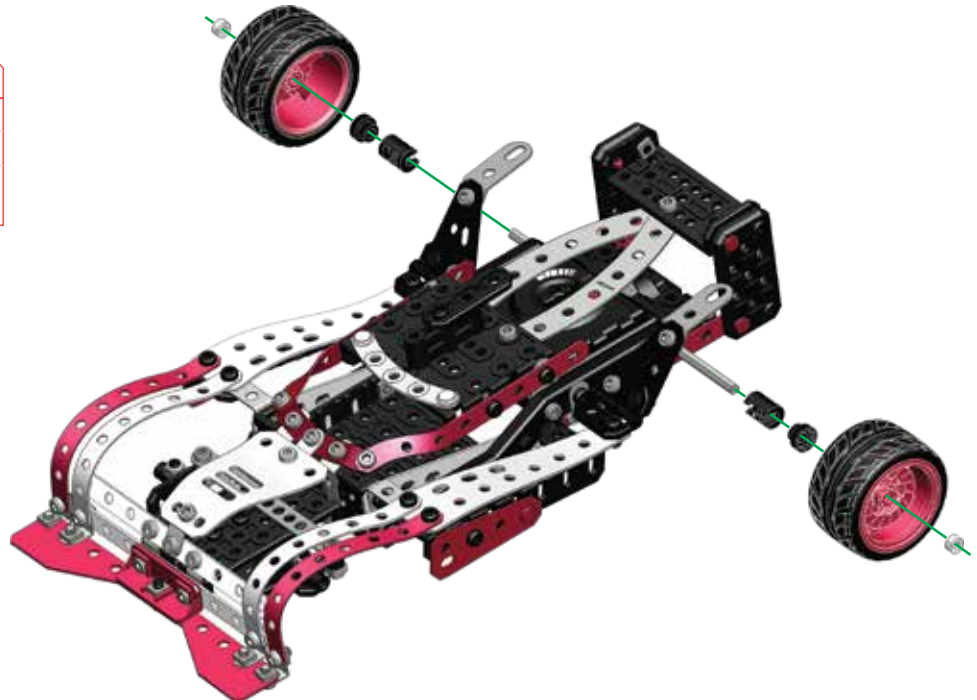
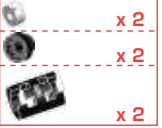
9.5 mm



32



33 31+32



34 32+33

