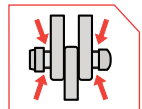
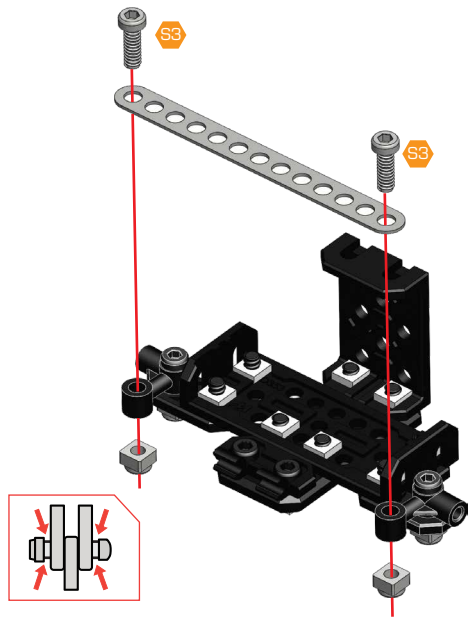
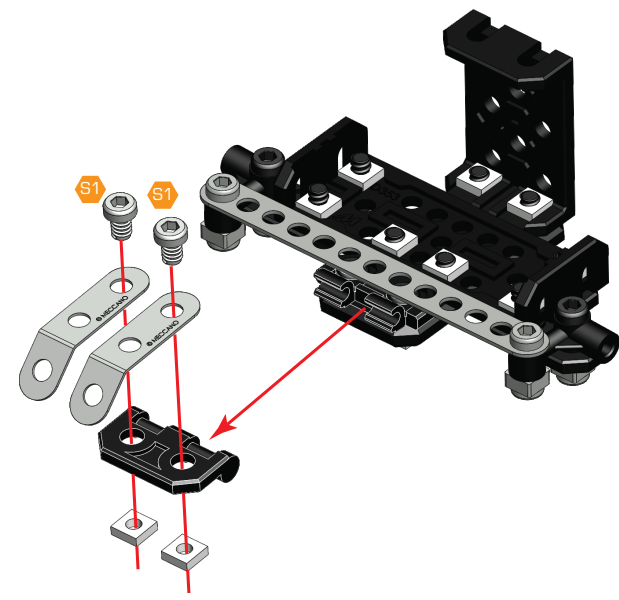


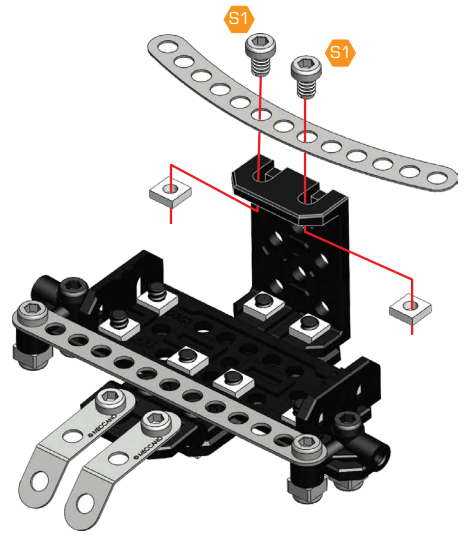
- 27**
- S3 x 2
 - x 2
 - x 1
-
- S3 12 mm



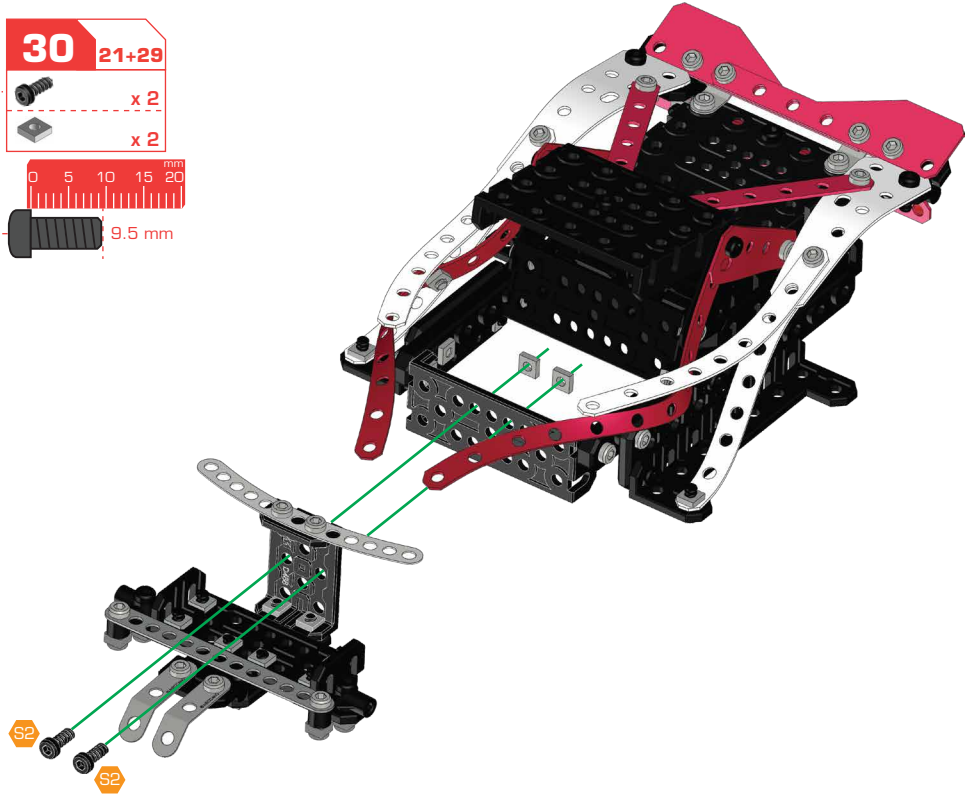
- 28**
- S1 x 2
 - x 2
 - x 1
 - x 2
-
- S1 5.8 mm

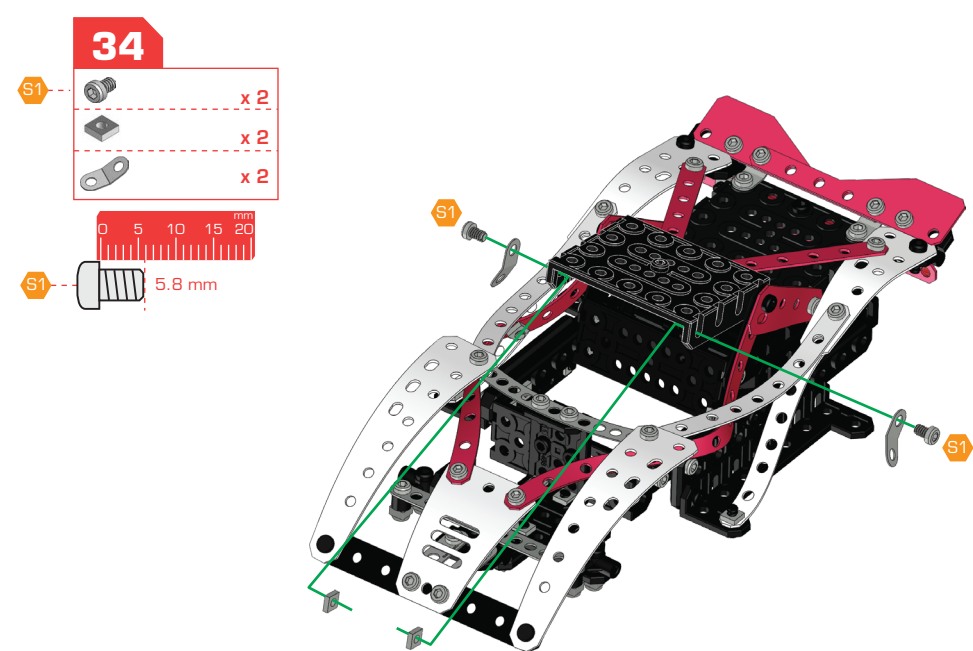
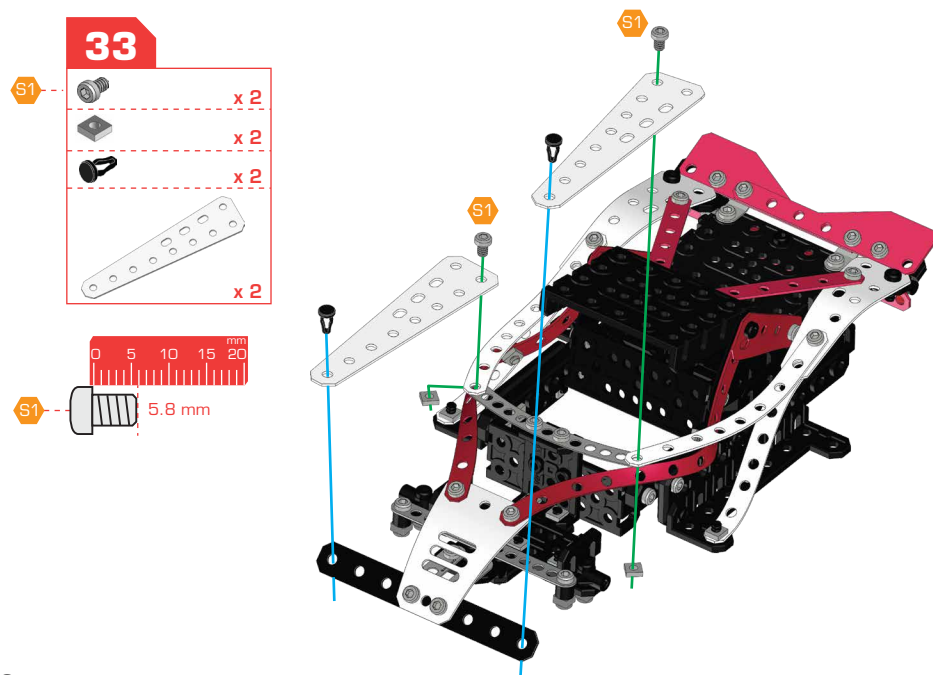
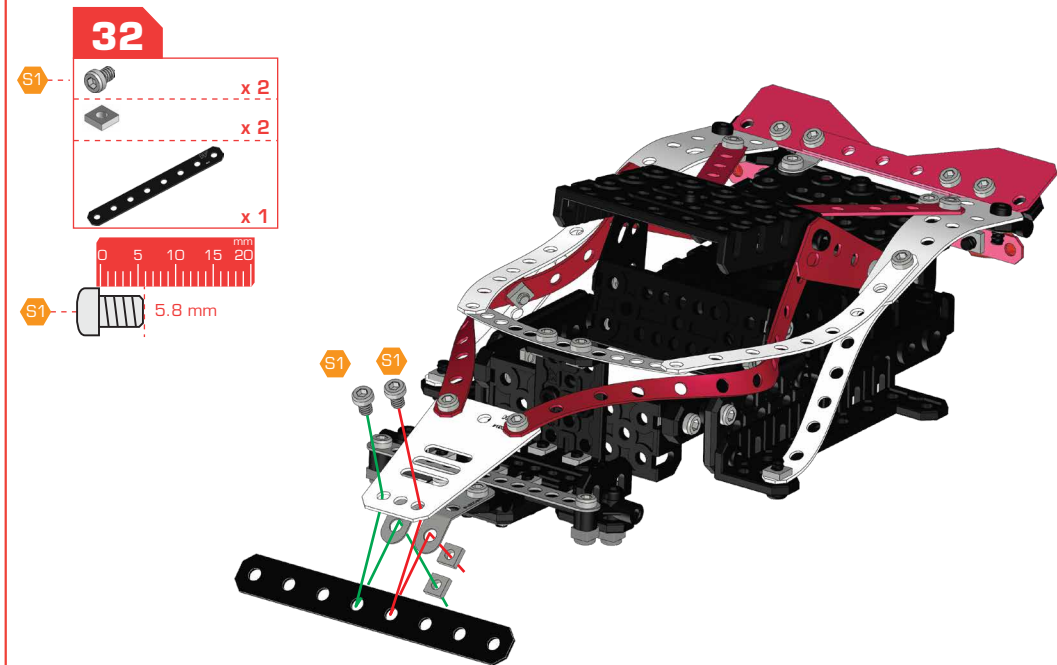
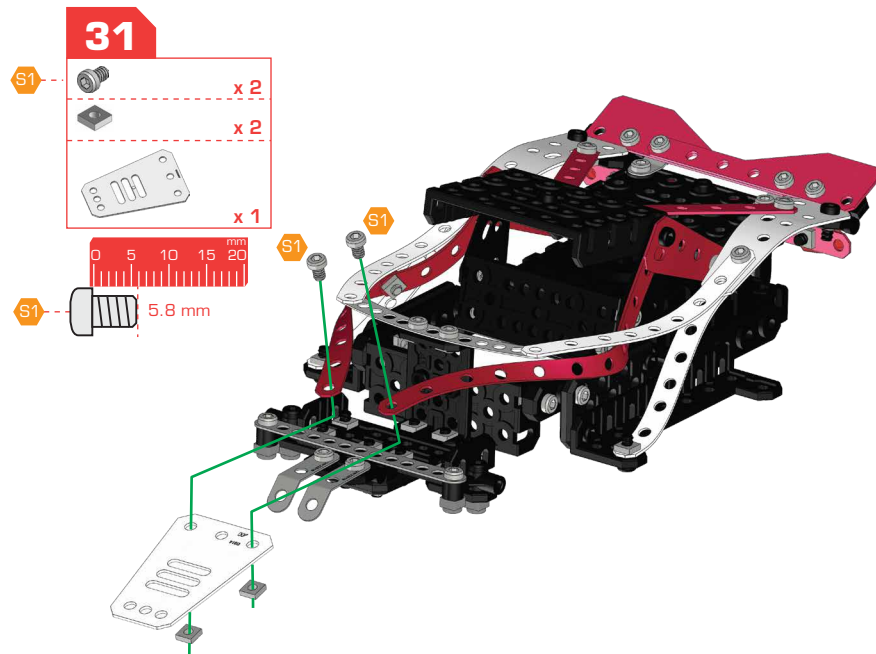


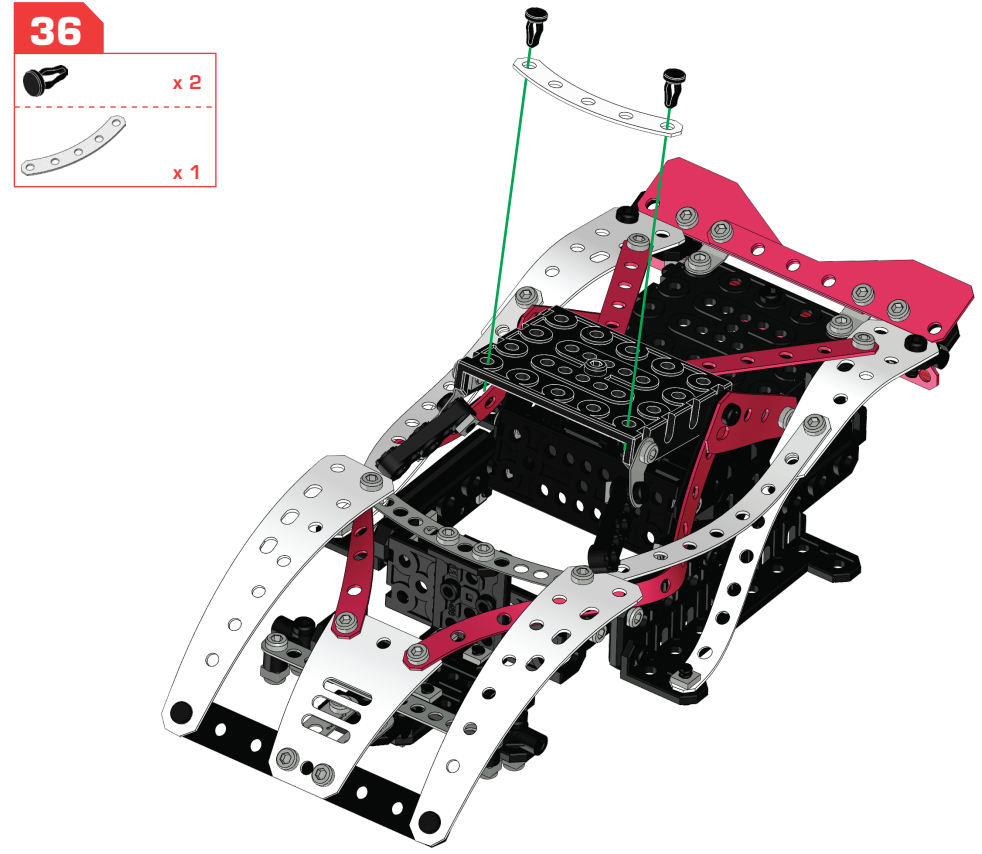
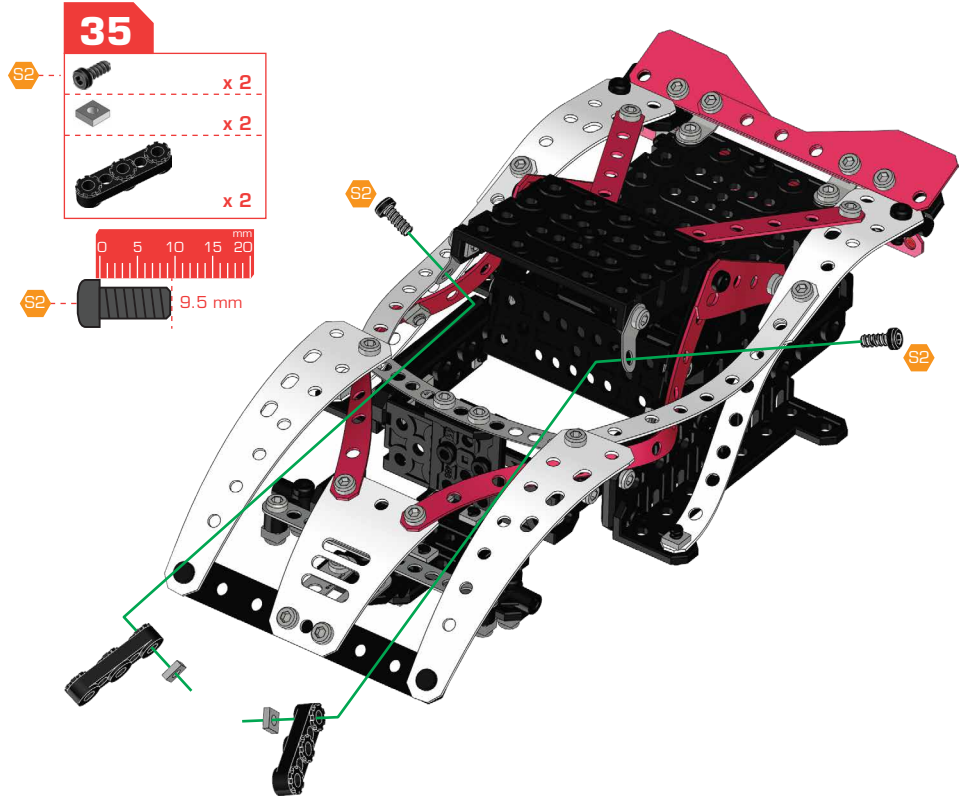
- 29**
- S1 x 2
 - x 2
 - x 1
-
- S1 5.8 mm







- 30** 21+29
- S2 x 2
 - x 2
-
- S2 9.5 mm

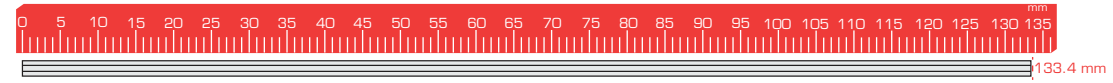
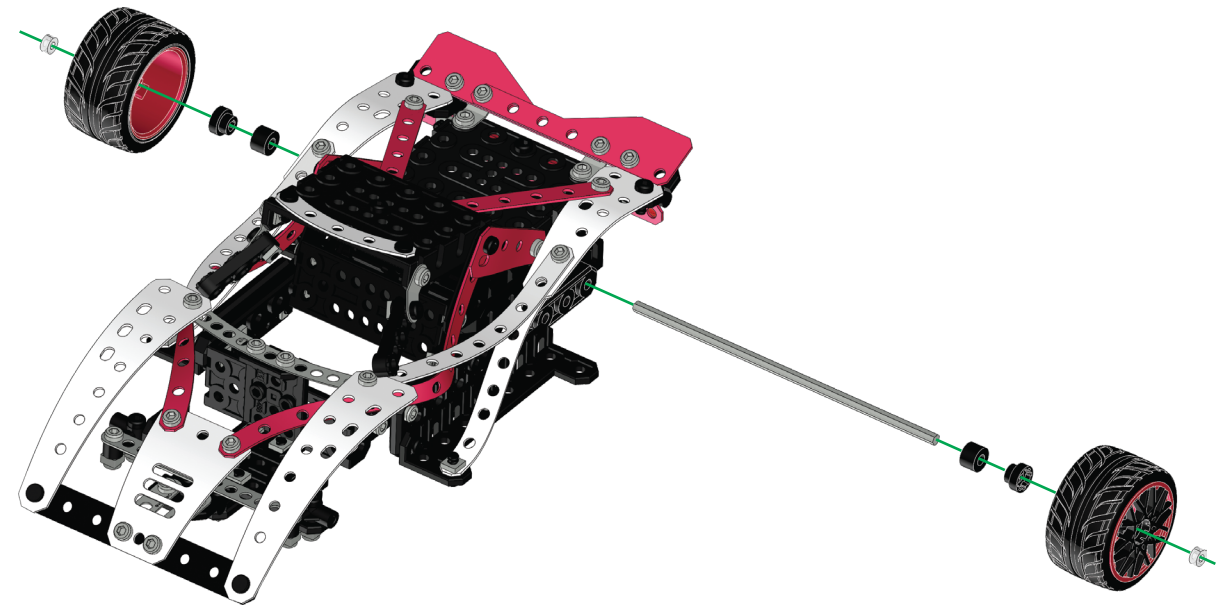





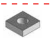



38 **36+37**

	x 2
	x 2
	x 2
	x 1



39 **37+38**

	x 2
	x 2
	x 2

