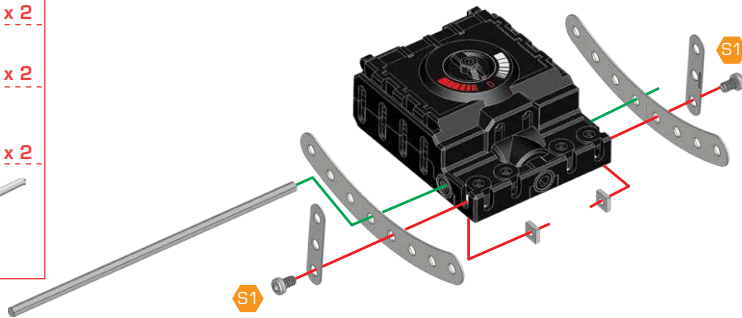


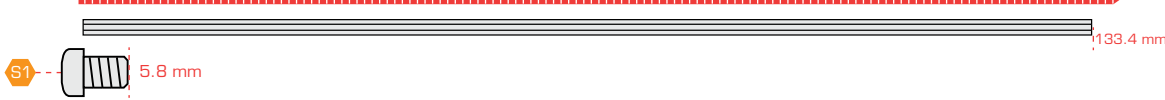
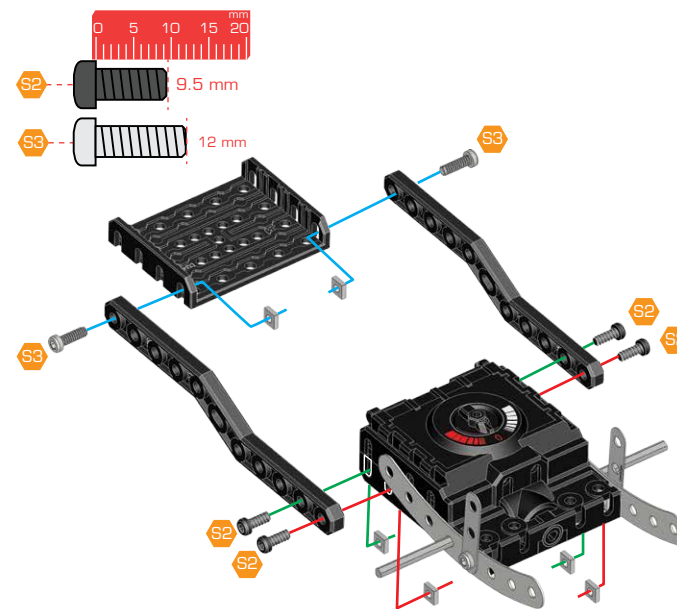
2

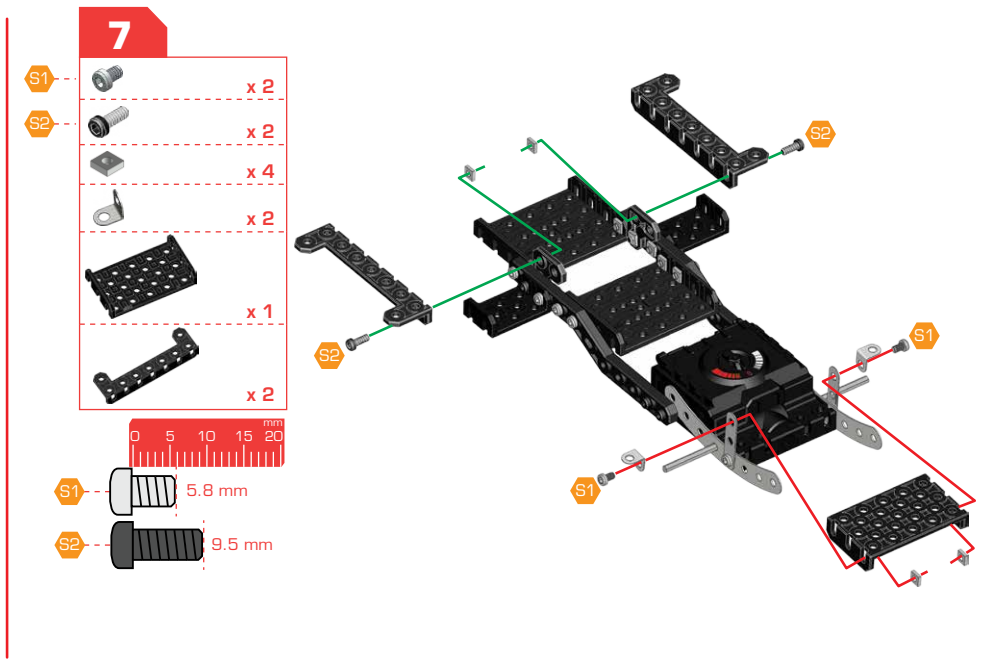
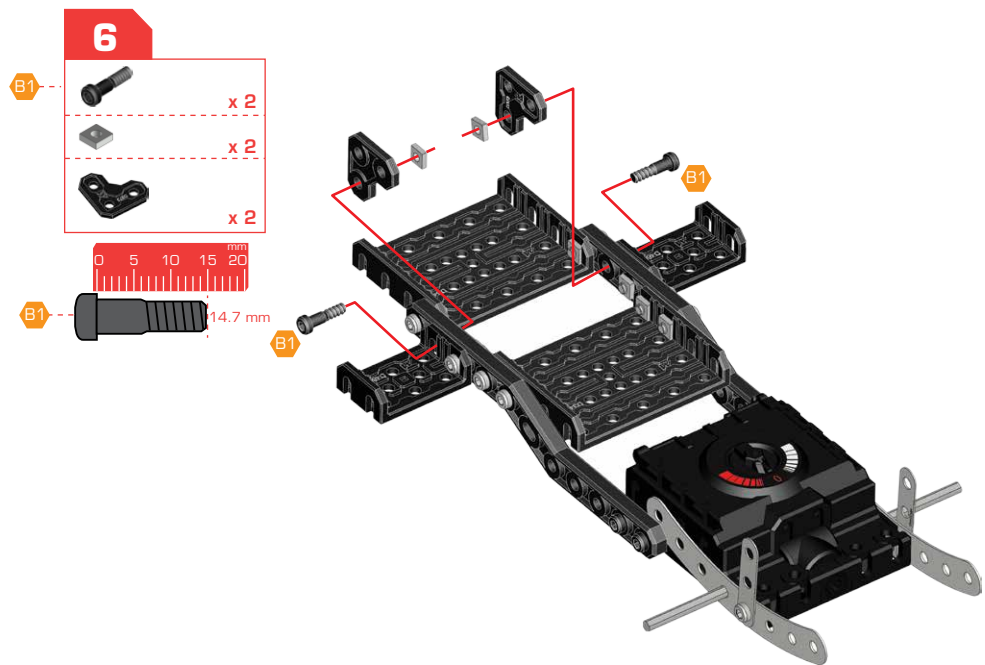
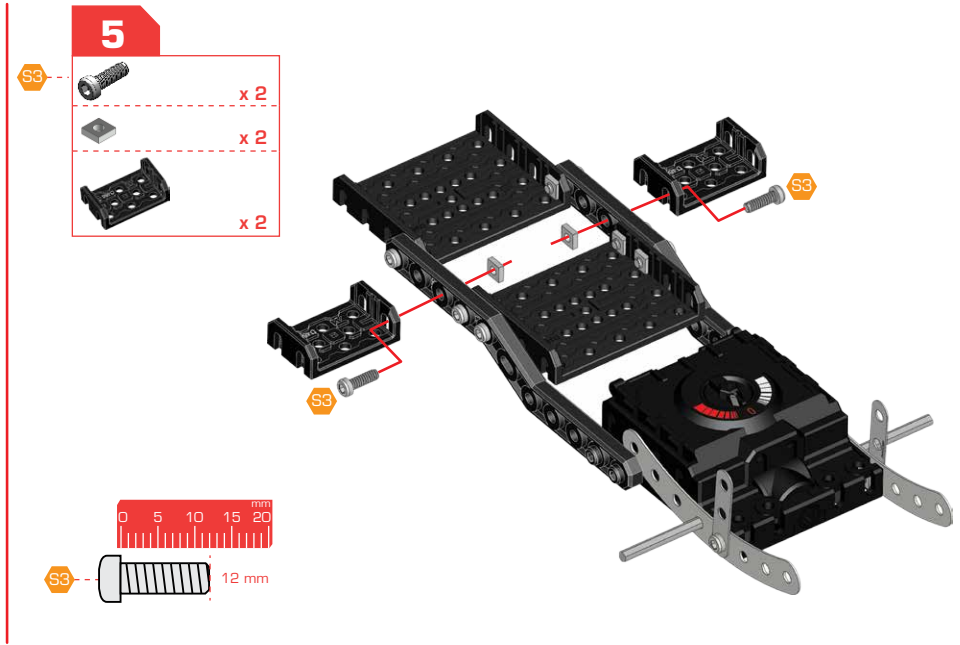
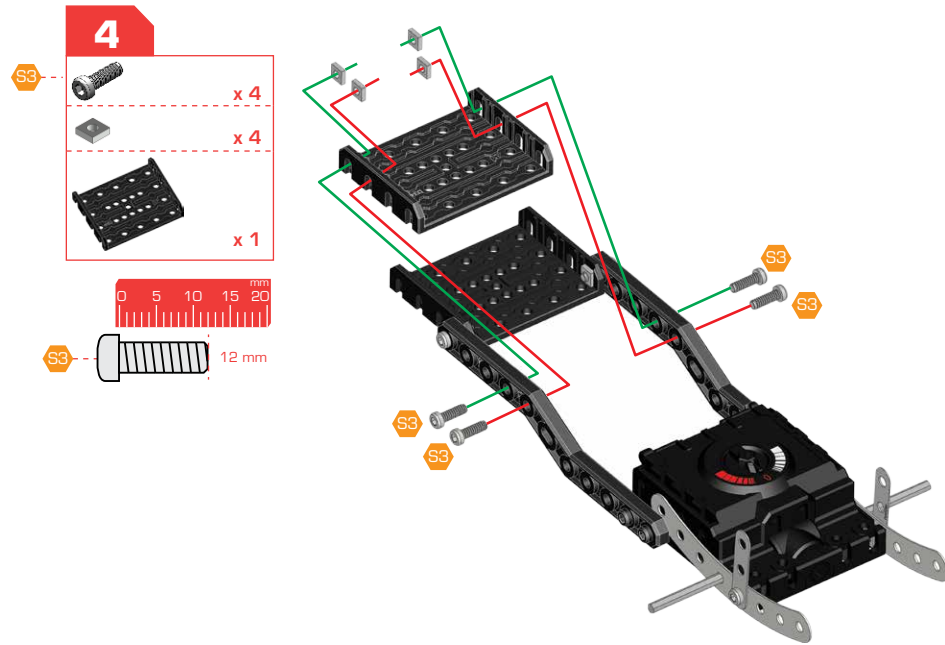
- S1 x 2
- x 2
- x 2
- x 2
- x 2

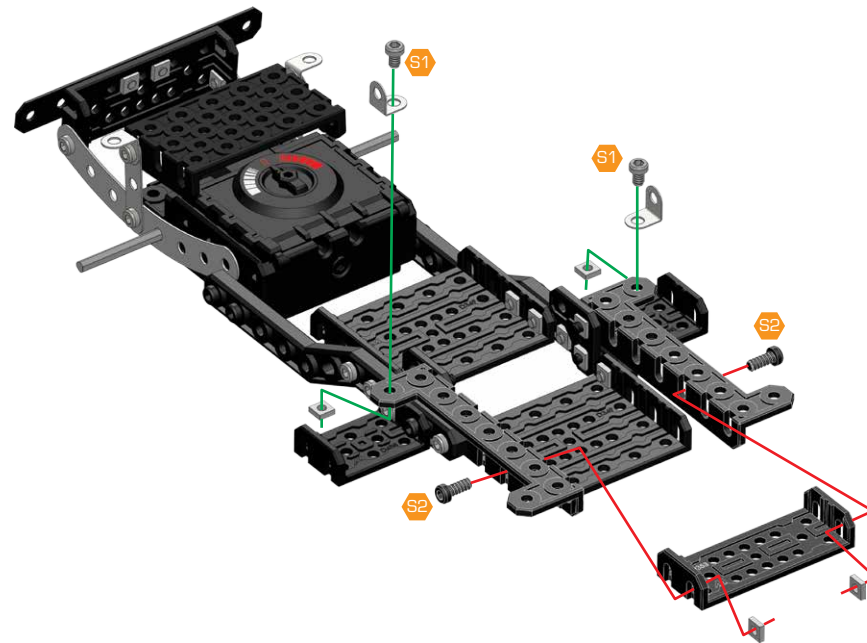
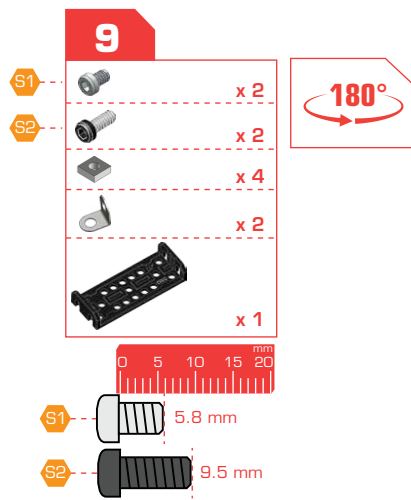
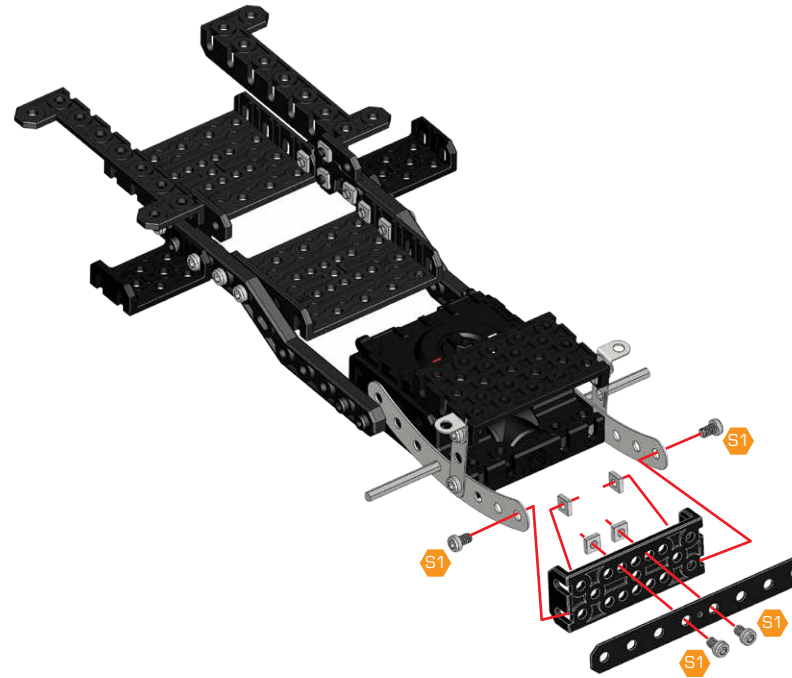


3

- S2 x 4
- S3 x 2
- x 6
- x 1
- x 2

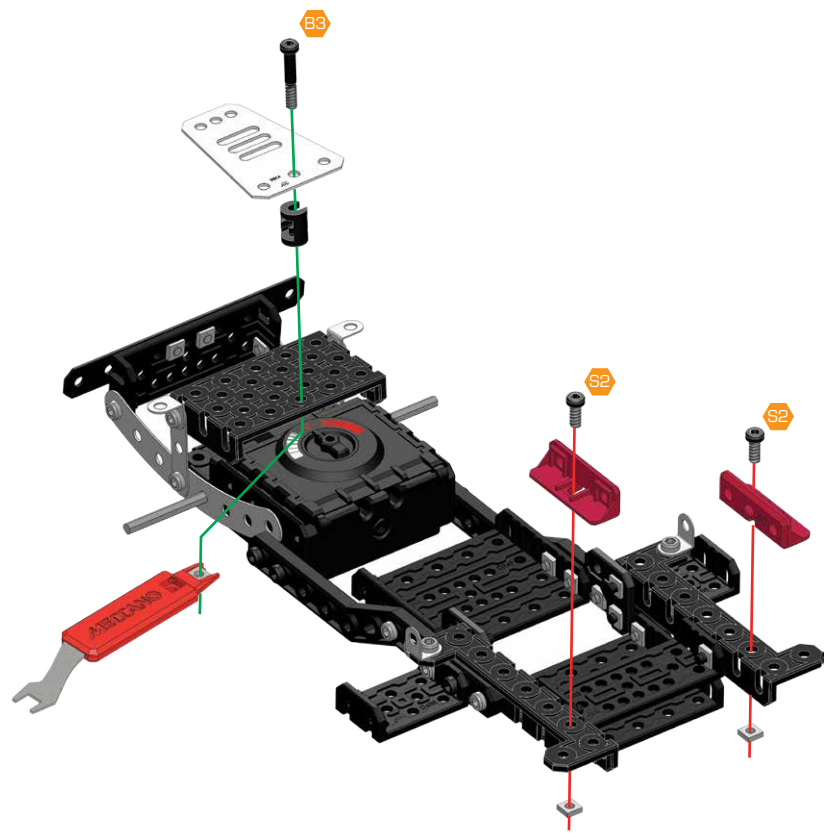
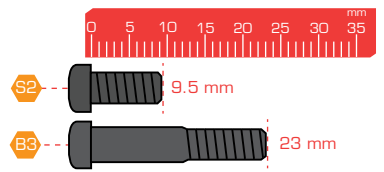






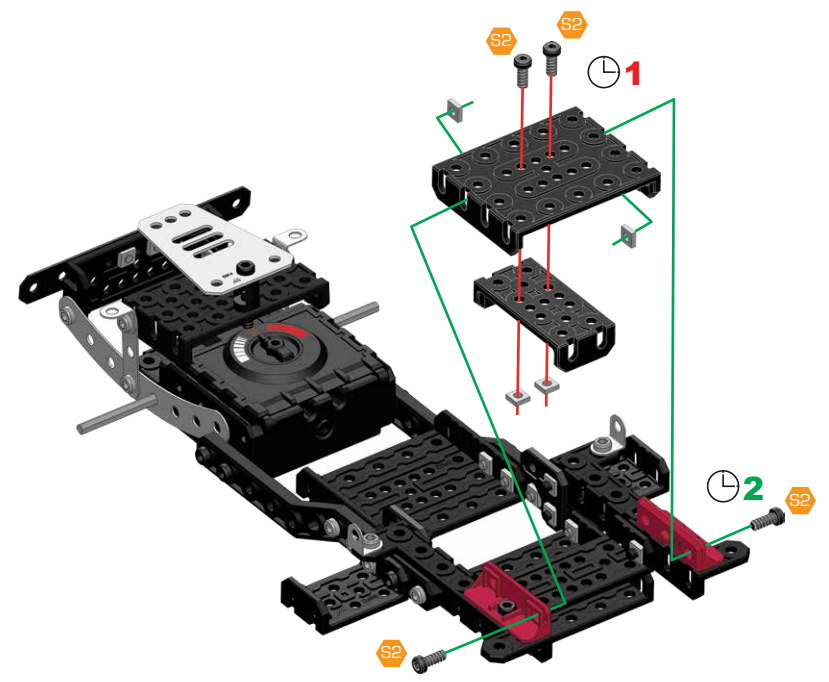
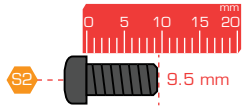
10

- S2 x 2
- B3 x 1
- x 3
- x 1
- x 2
- x 1



11

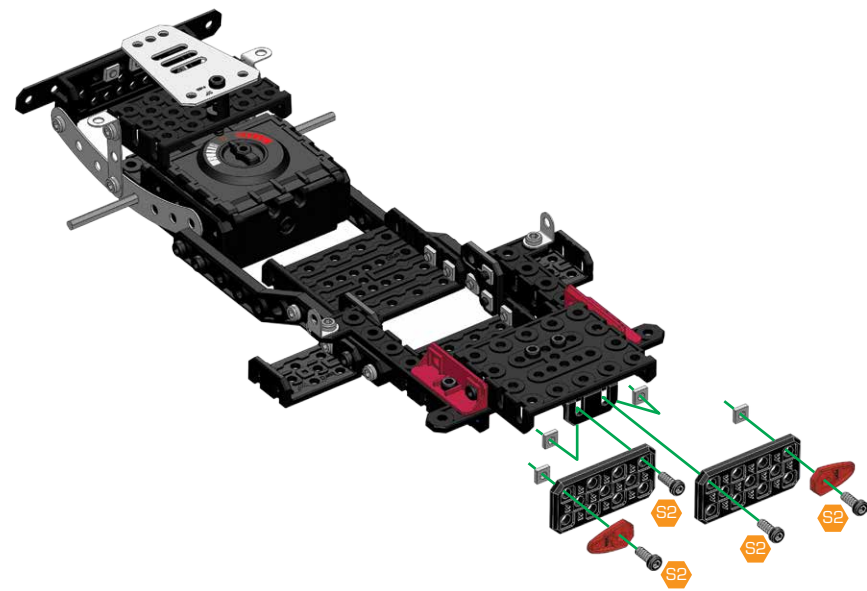
- S2 x 4
- x 4
- x 1
- x 1



12

- S2 x 4
- x 4
- x 2
- x 2

S2 9.5 mm



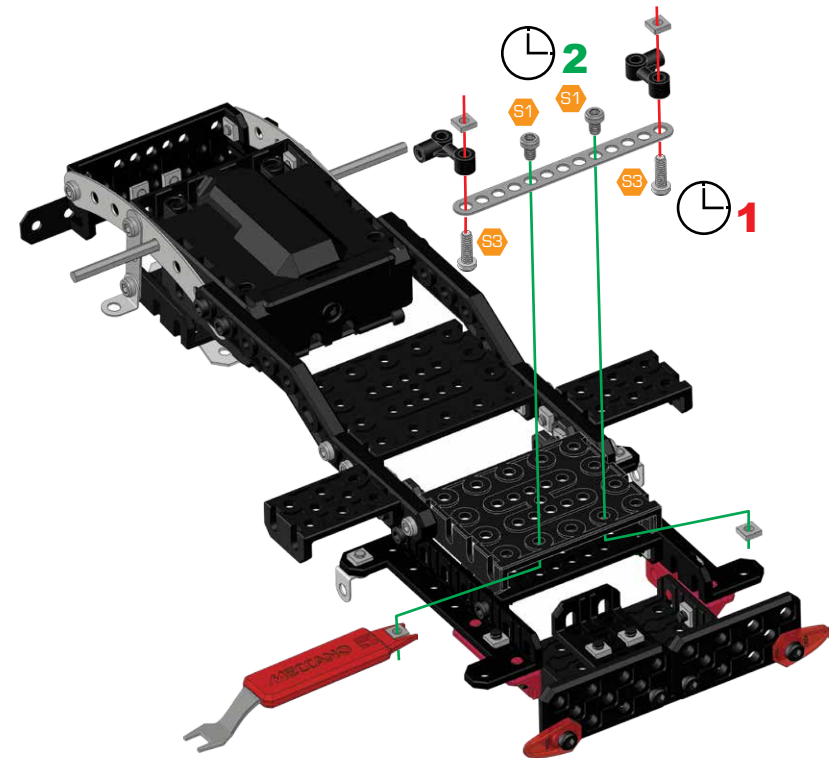
13

- S1 x 2
- S3 x 2
- x 4
- x 2
- x 1

S1 5.8 mm

S3 12 mm

180°



14

	x 4
	x 4
	x 2
	x 2

180°

S1 5.8 mm



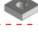


15



	x 3
	x 1
	x 4
	x 1
	x 1
	x 1
	x 1
	x 1
	x 2

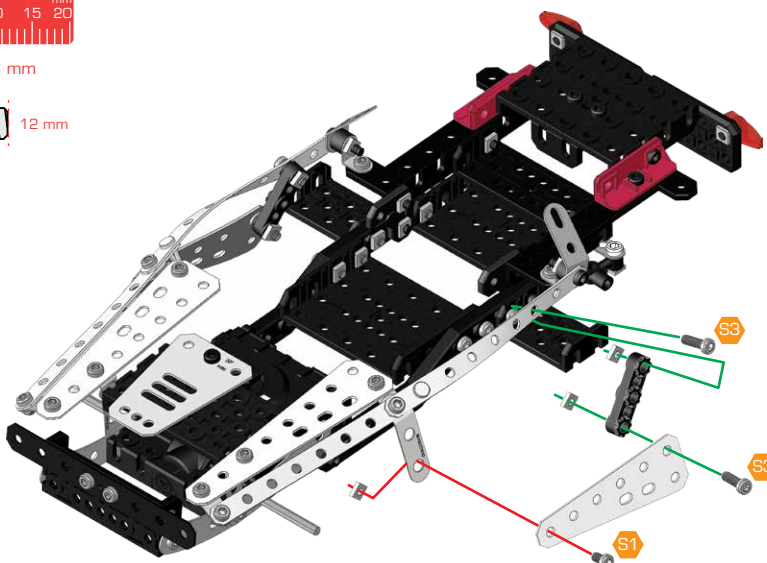
S1 5.8 mm

B1 14.7 mm



18



	x 1
	x 2
	x 3
	x 1
	x 1

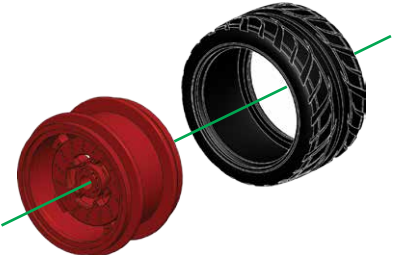
	5.8 mm
	12 mm








19


	x 4
	x 4

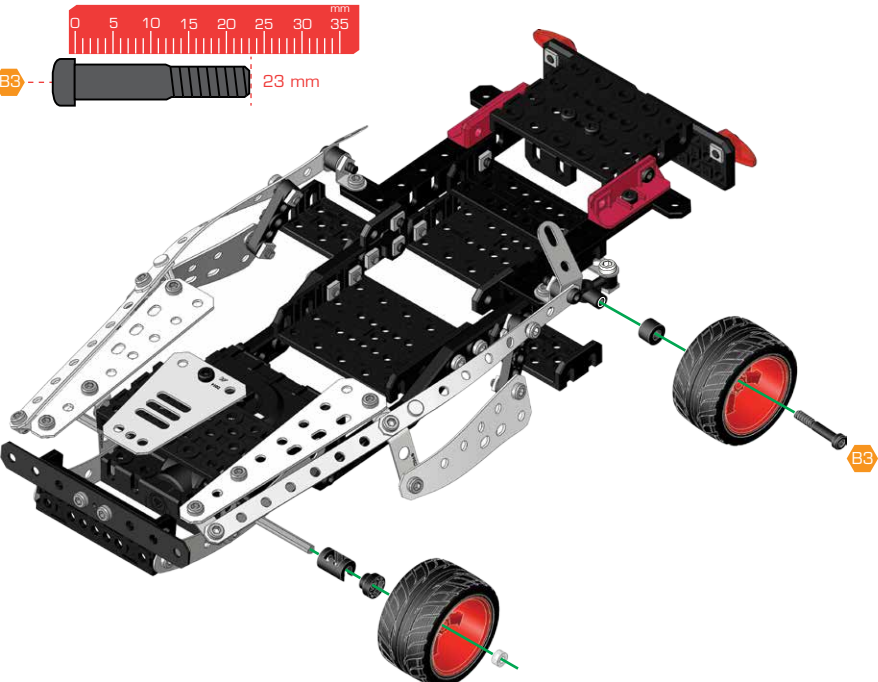
	x 2
	x 2

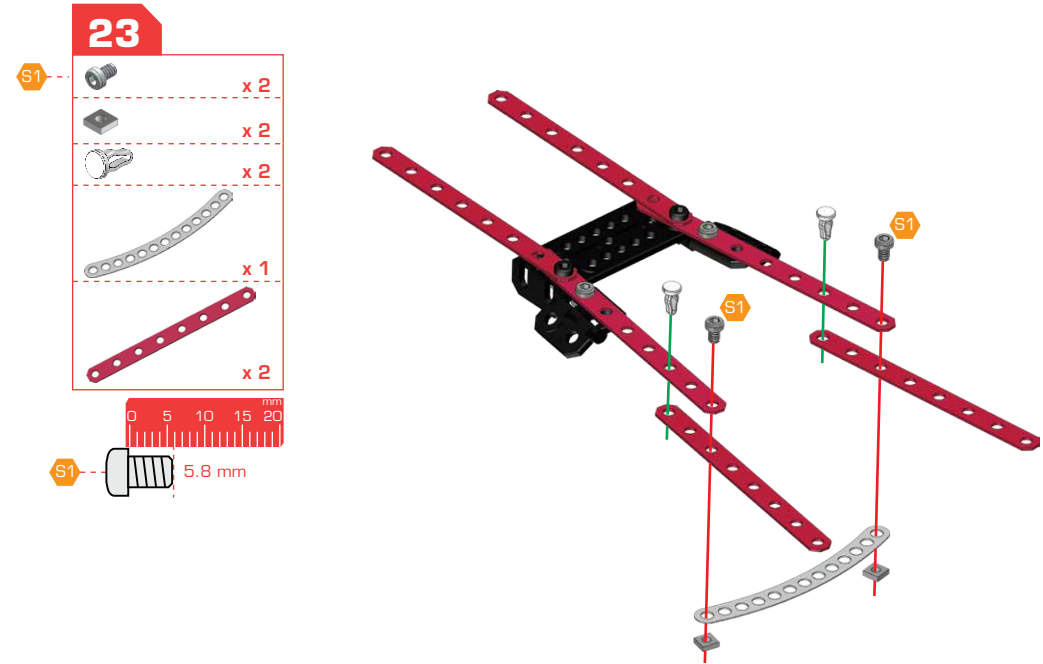
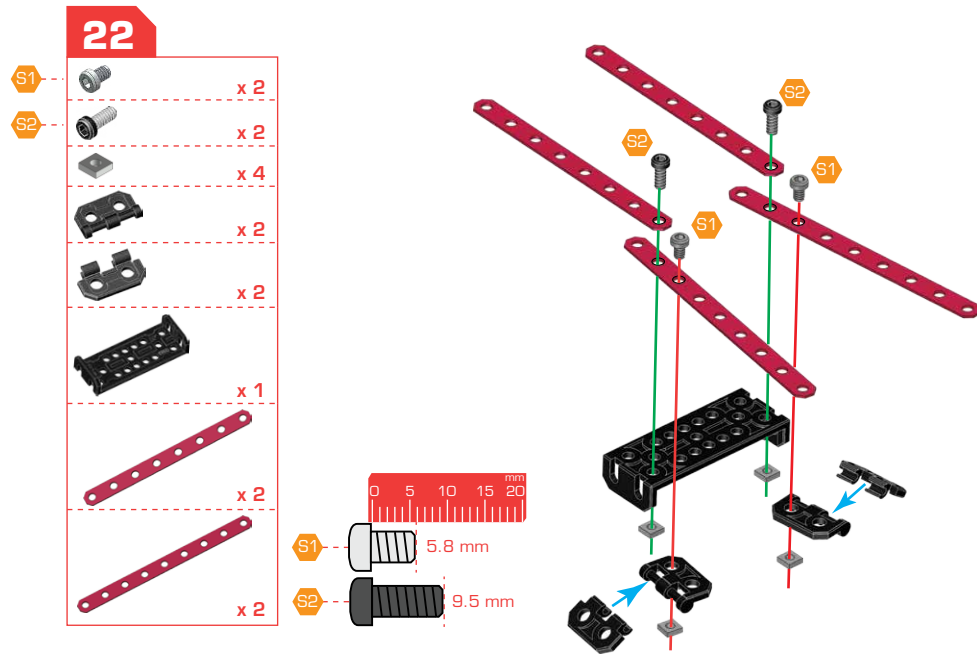
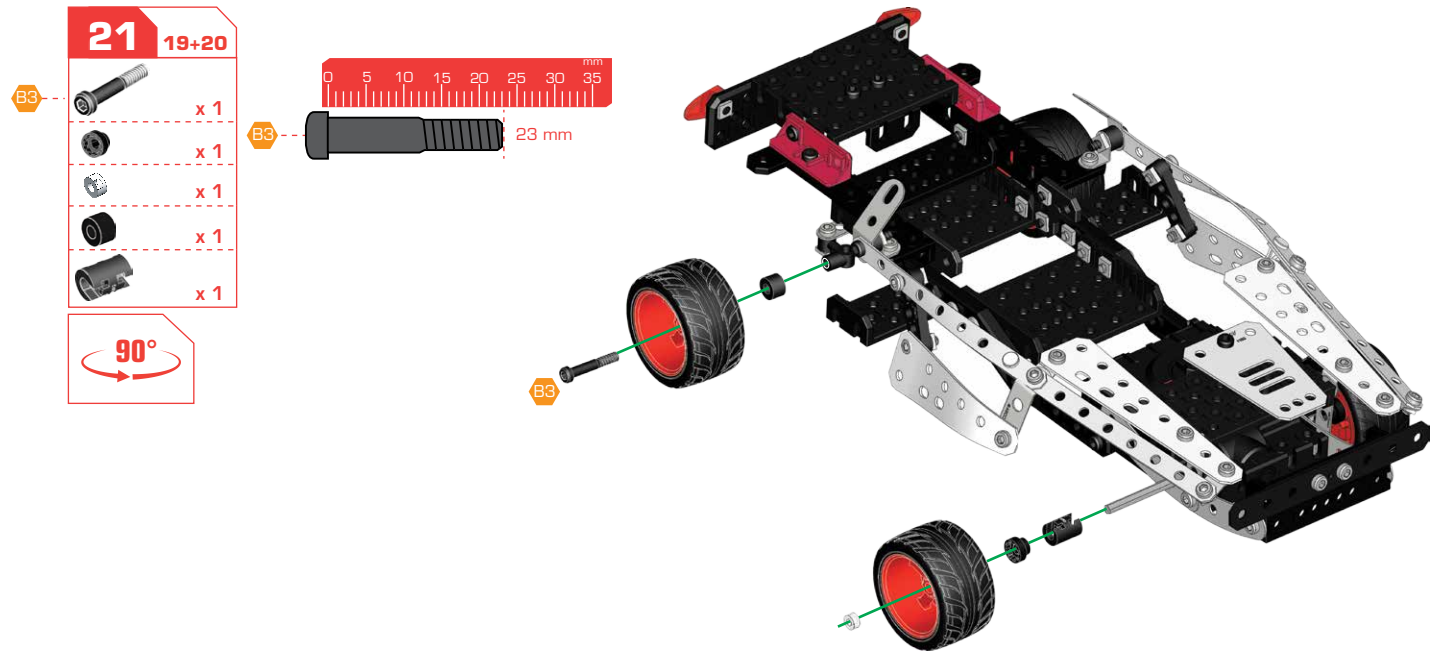


20 18+19

	x 1
	x 1
	x 1
	x 1
	x 1

	23 mm
---	-------



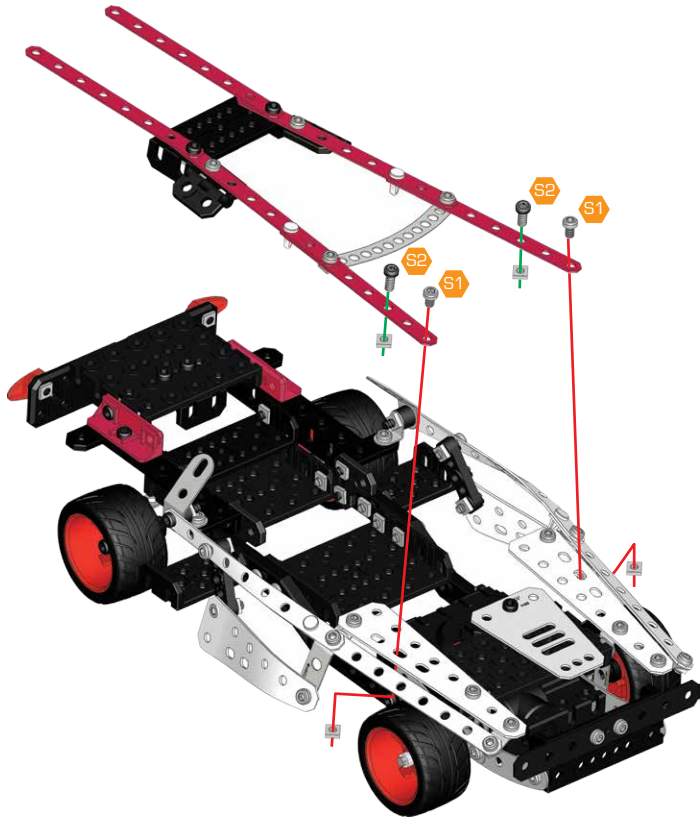


24 21+23

S1		x 2
S2		x 2
		x 4

S1 5.8 mm

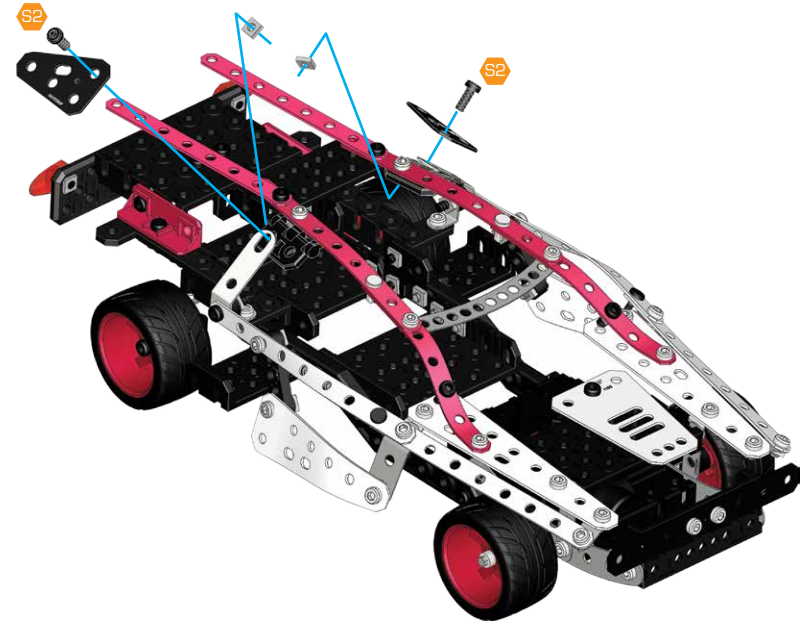
S2 9.5 mm







25


S2		x 2
		x 2
		x 2


S2 9.5 mm

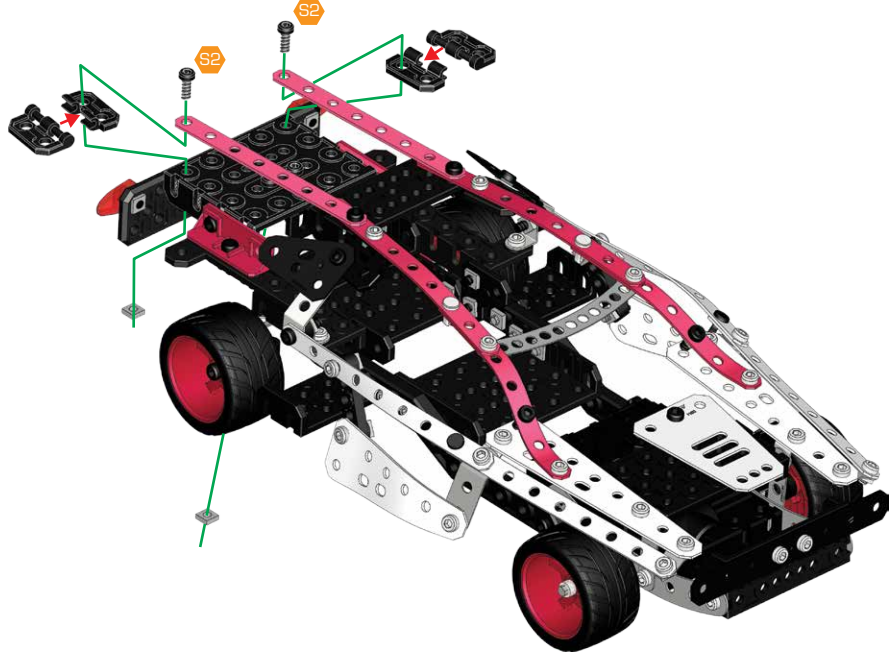


26







-  x 2
-  x 2
-  x 2
-  x 2


 0 5 10 15 20 mm


 9.5 mm




27

-  x 1
-  x 2
-  x 3
-  x 1
-  x 1
-  x 1
-  x 1

 0 5 10 15 20 mm

 5.8 mm

 9.5 mm

