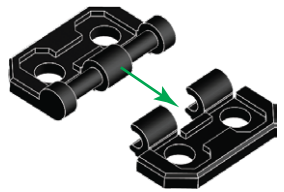
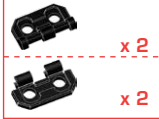
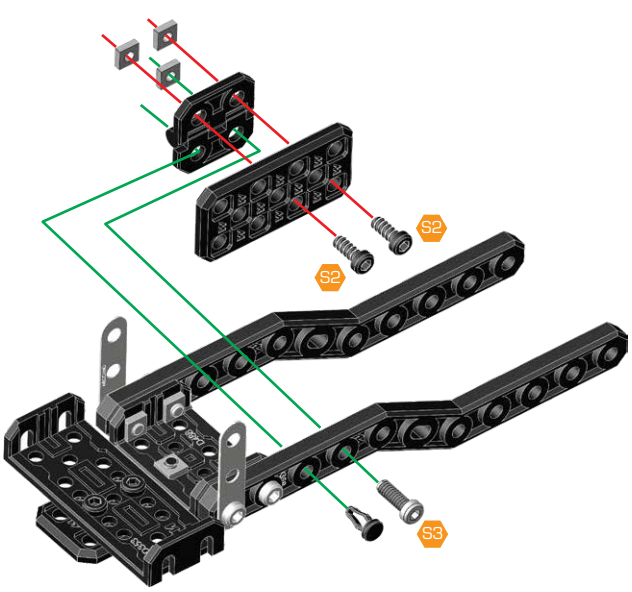
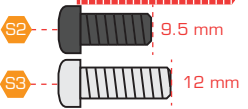


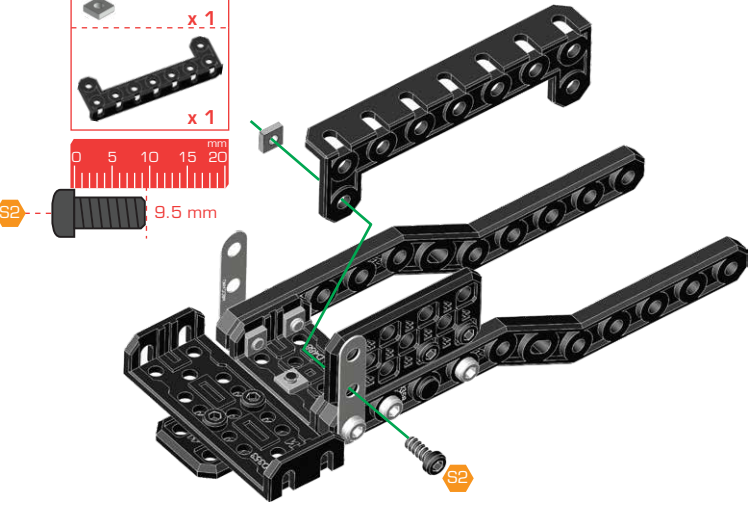
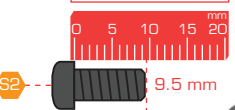
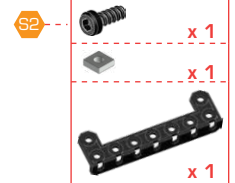
5



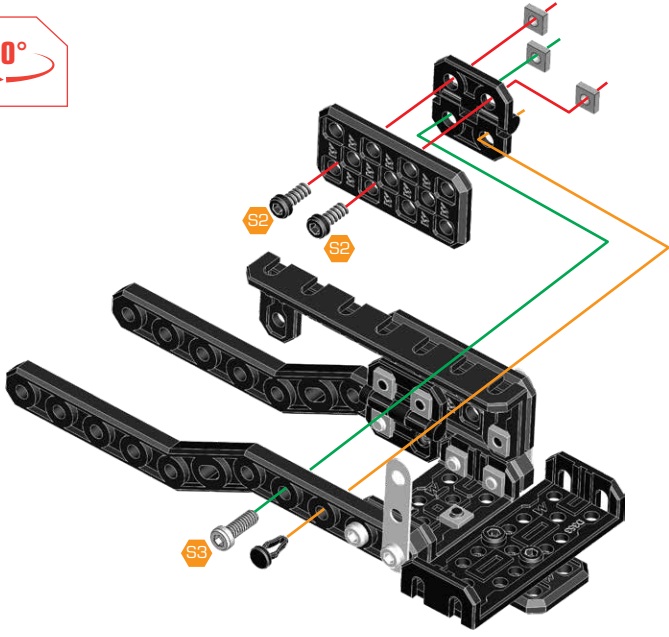
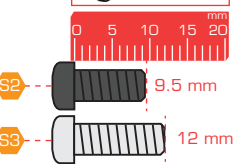
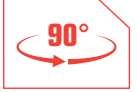
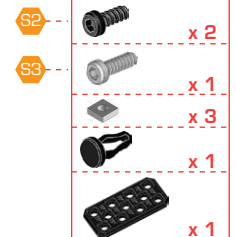
6 4+5



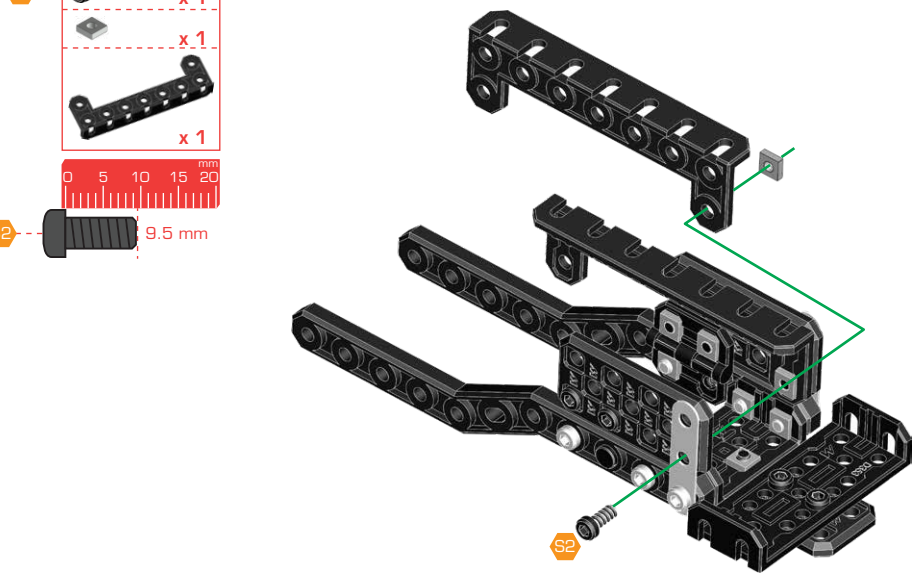
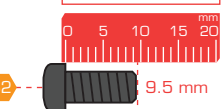
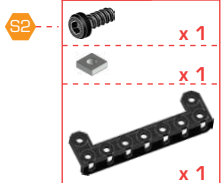
7

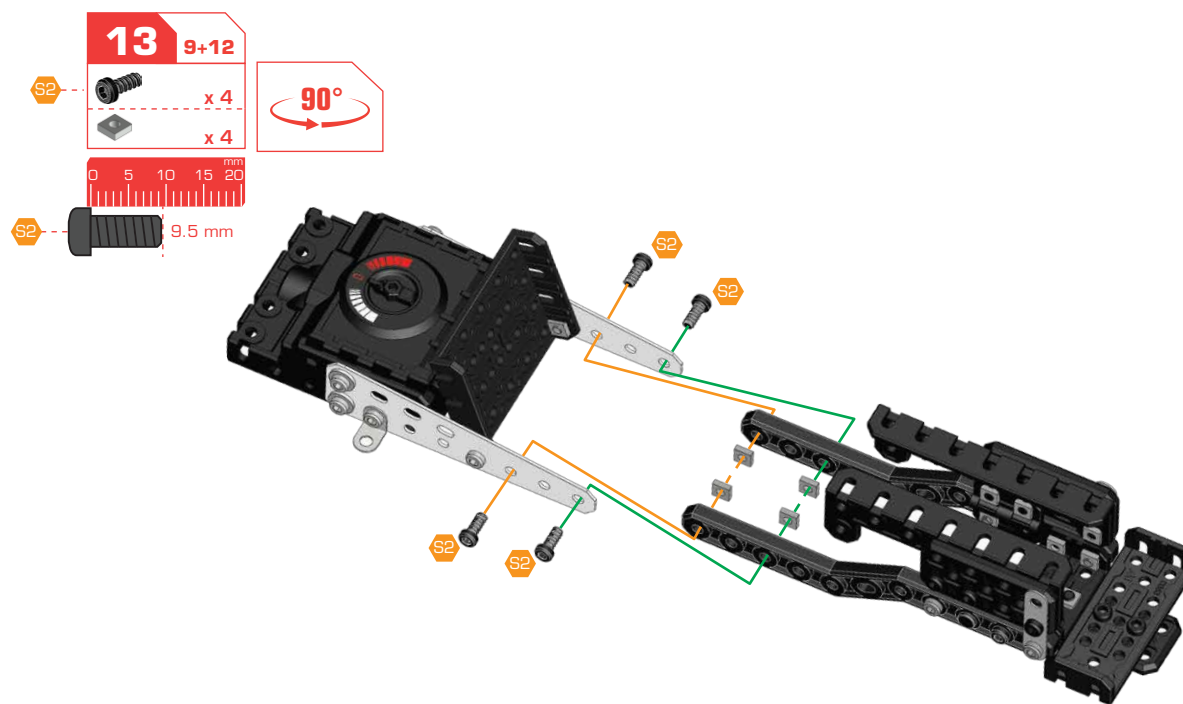
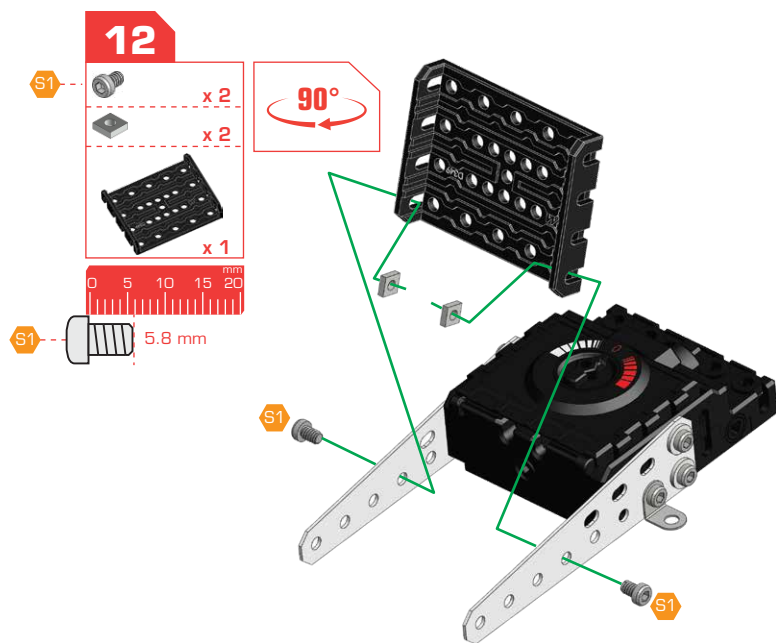
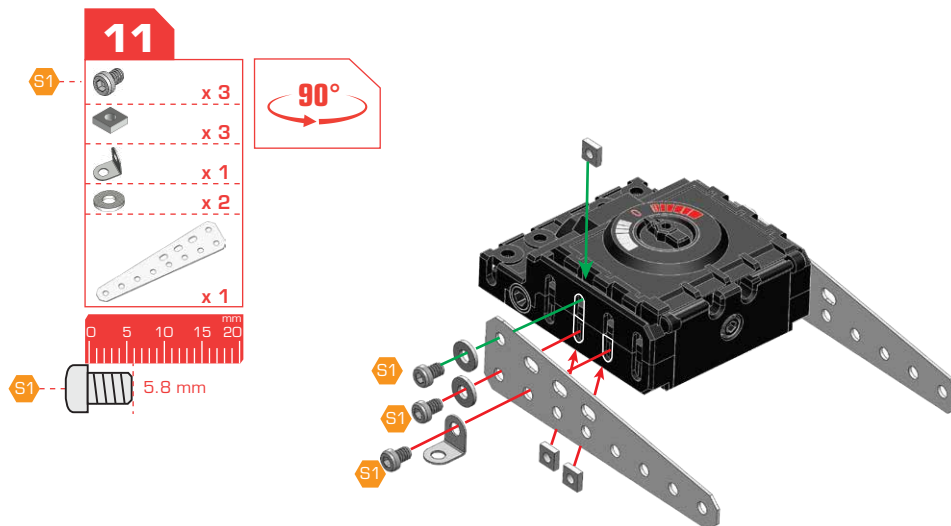
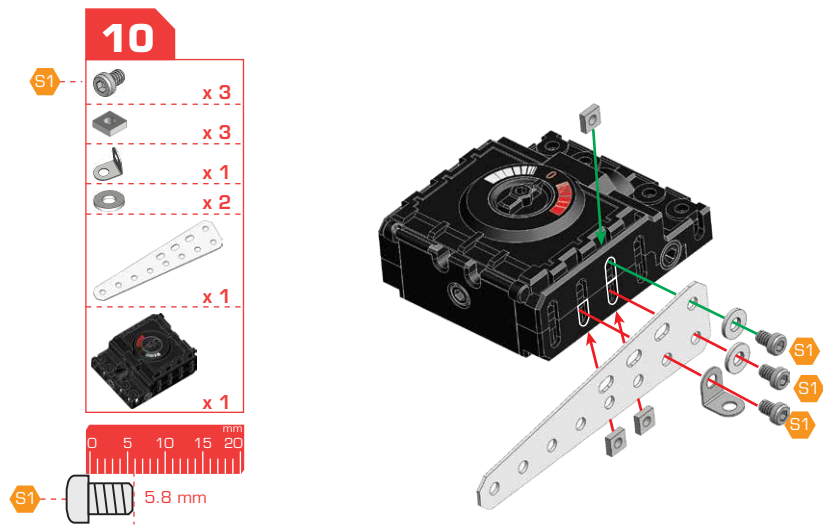


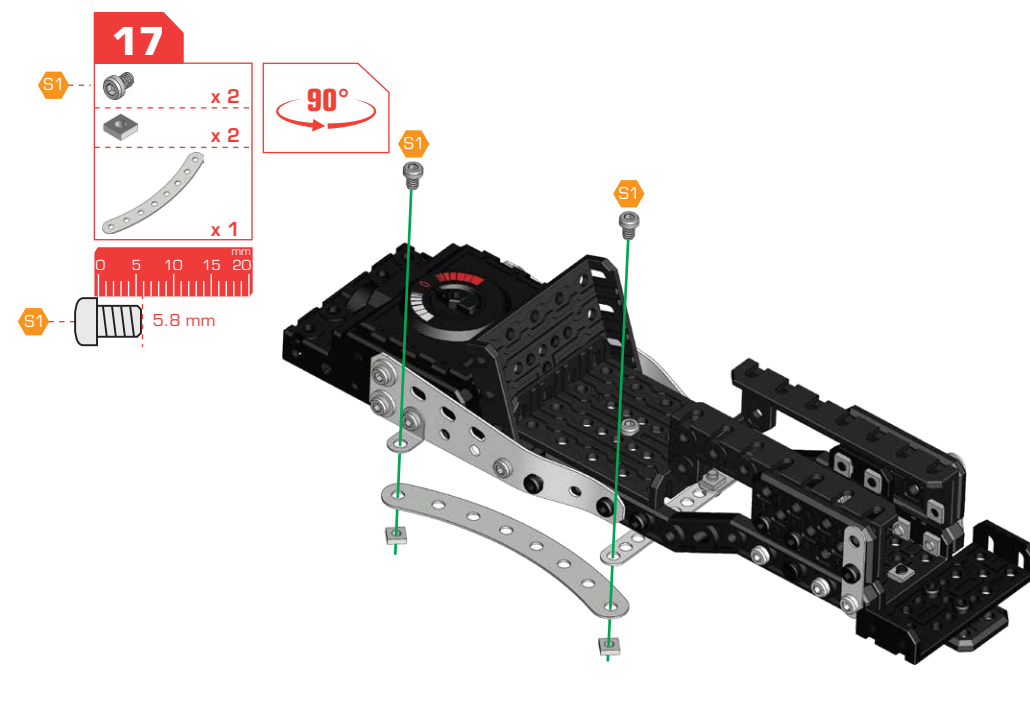
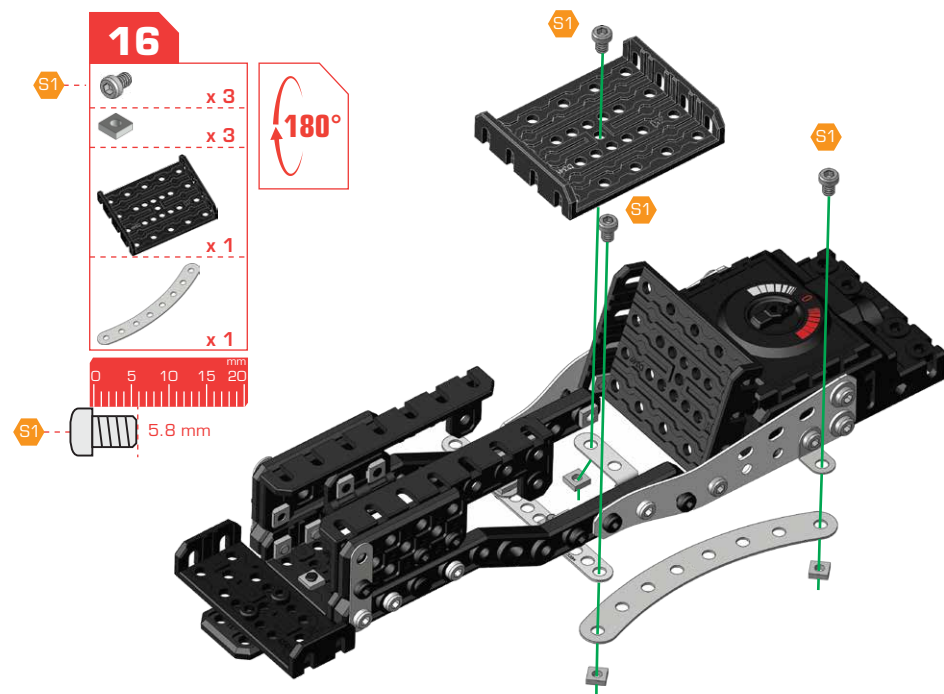
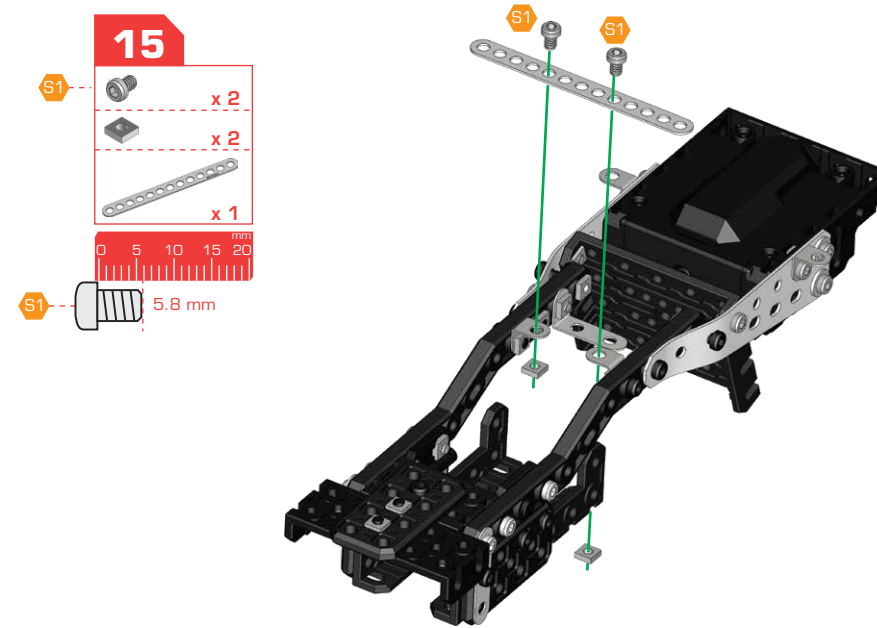
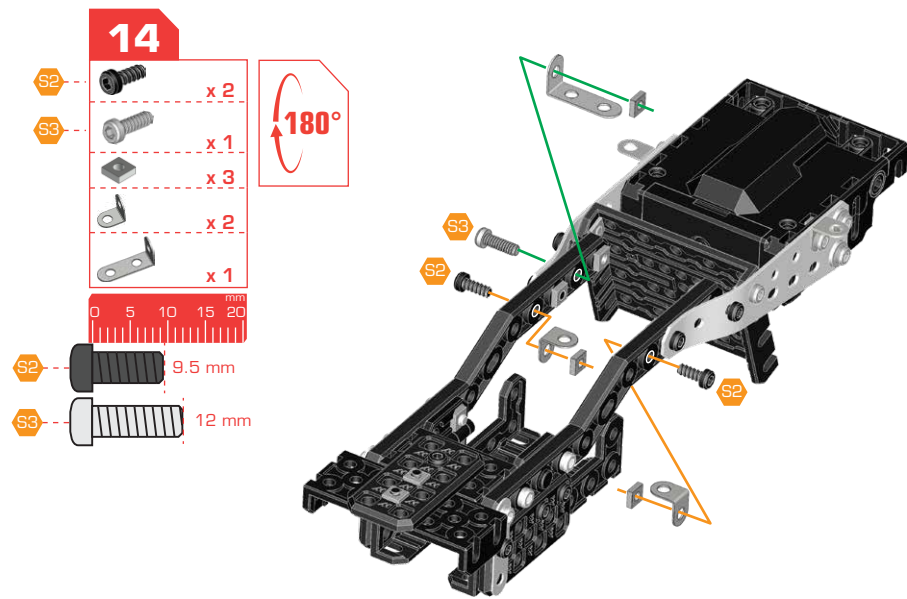
8 5+7

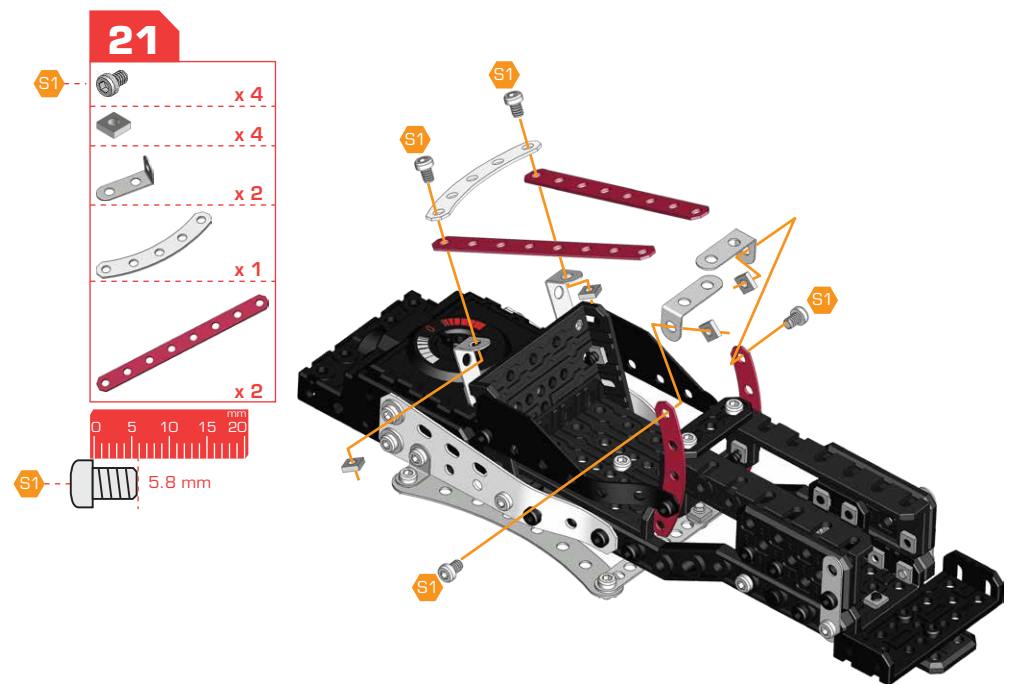
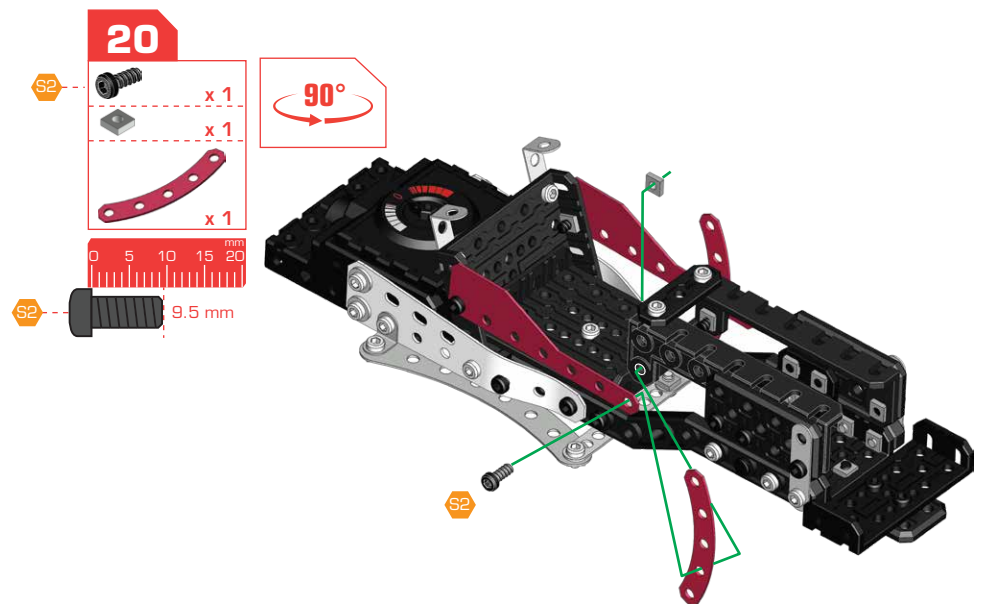
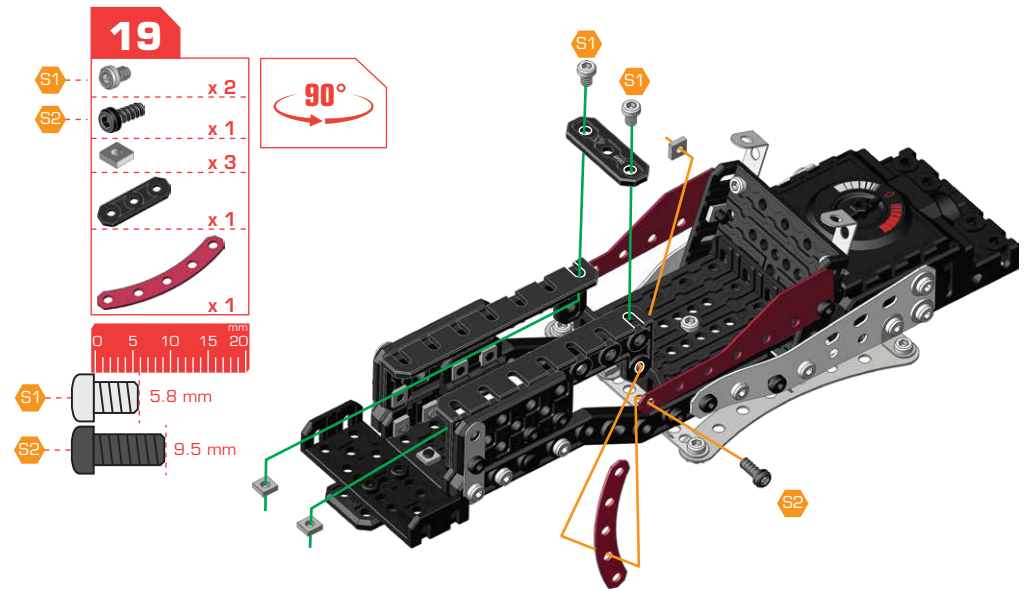
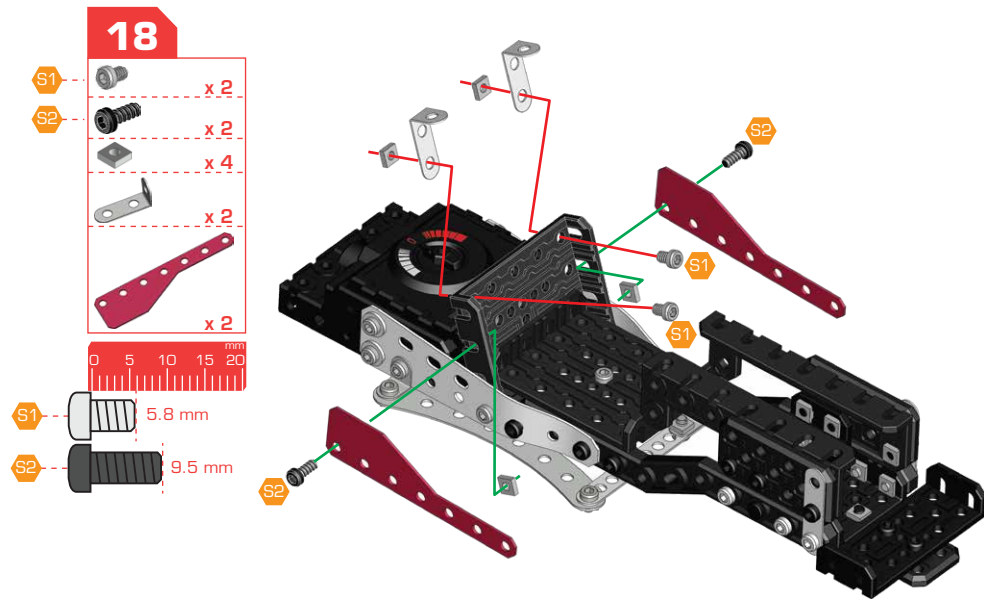


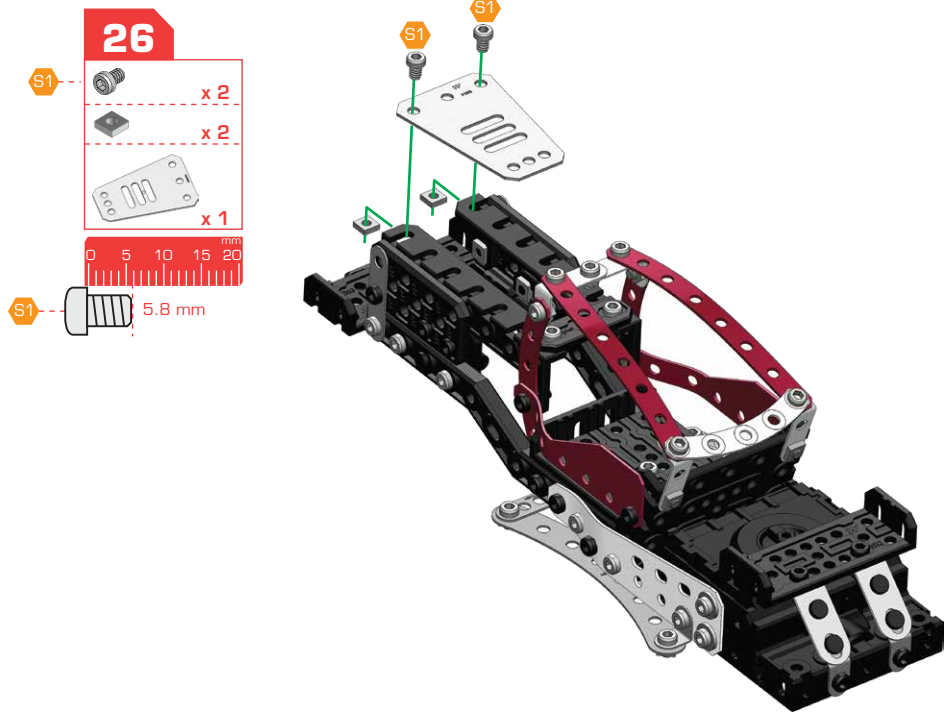
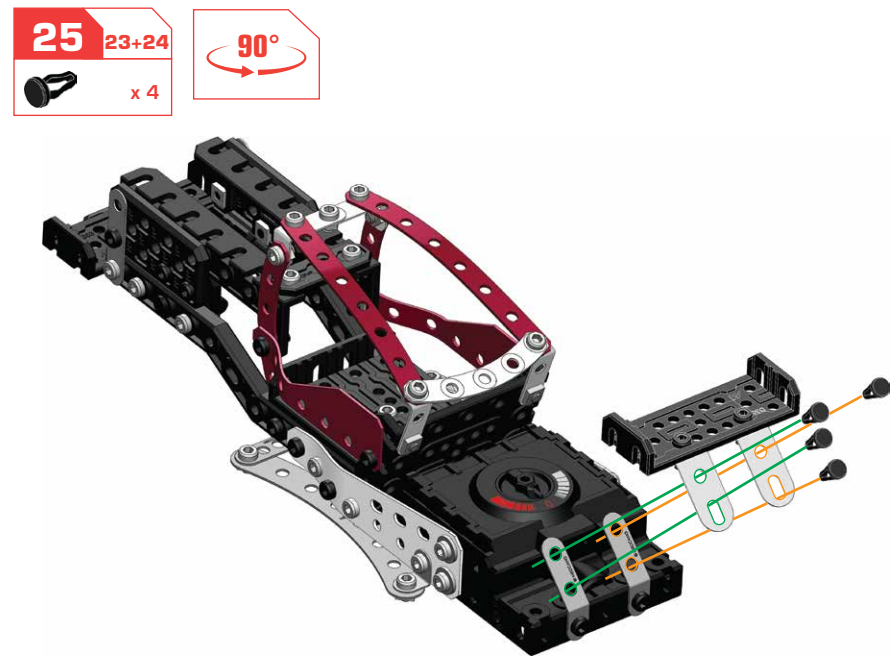
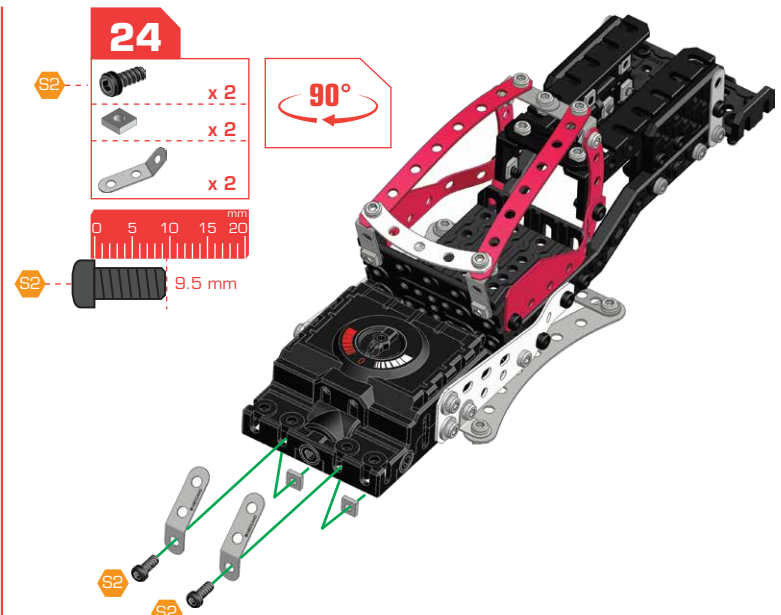
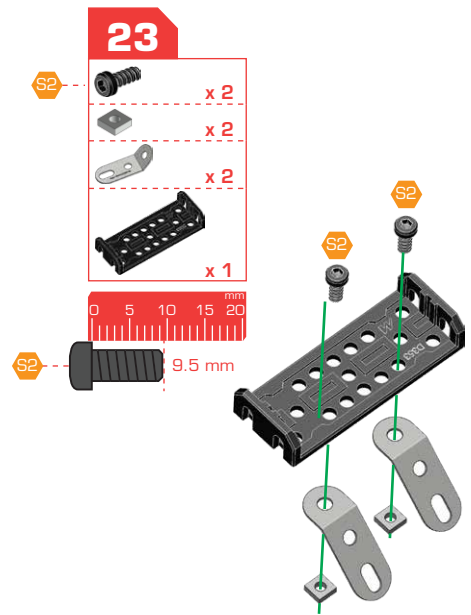
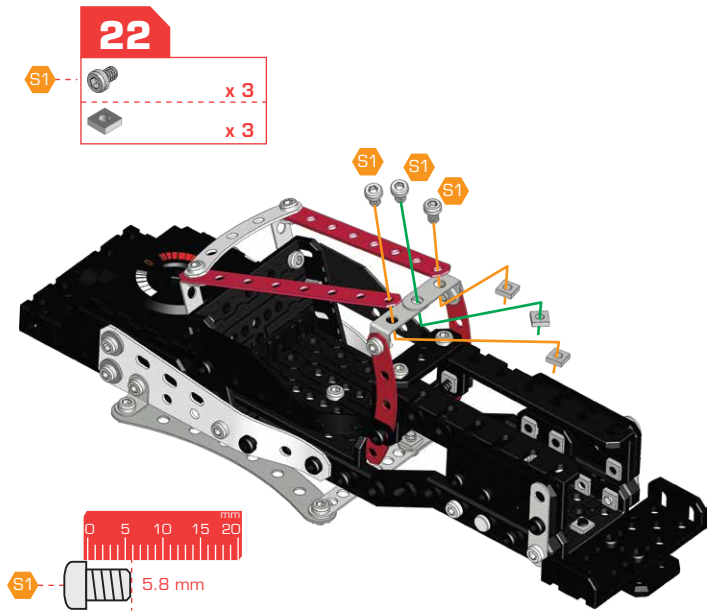
9

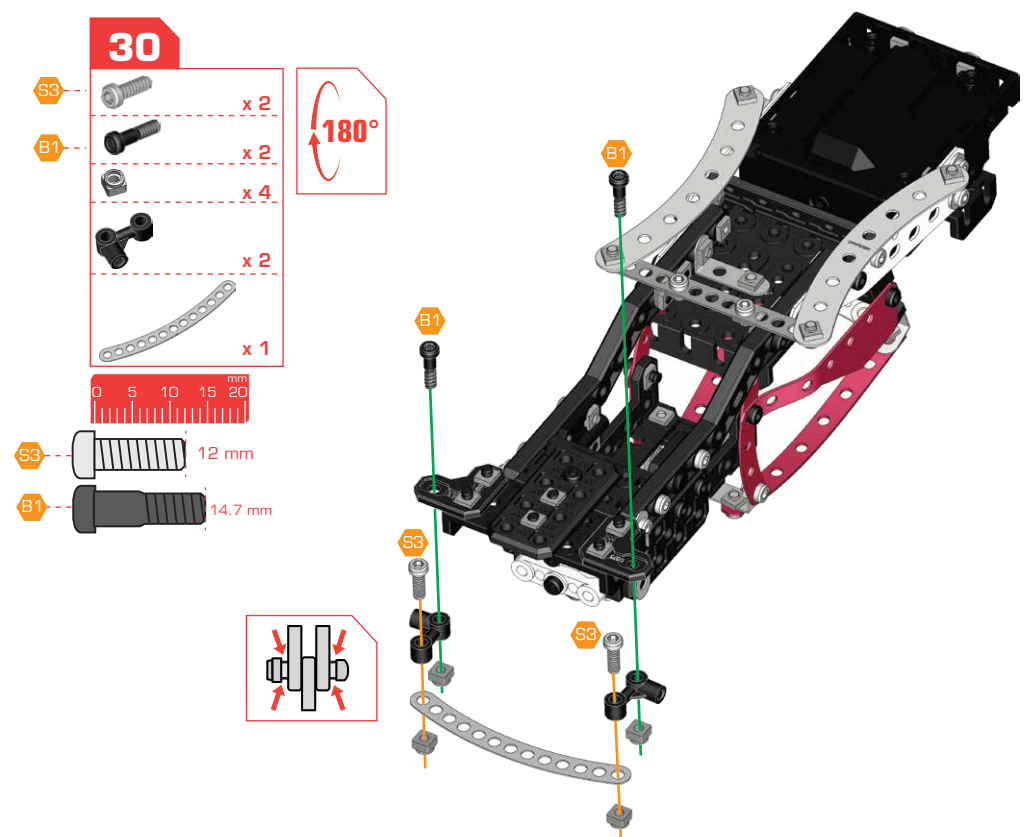
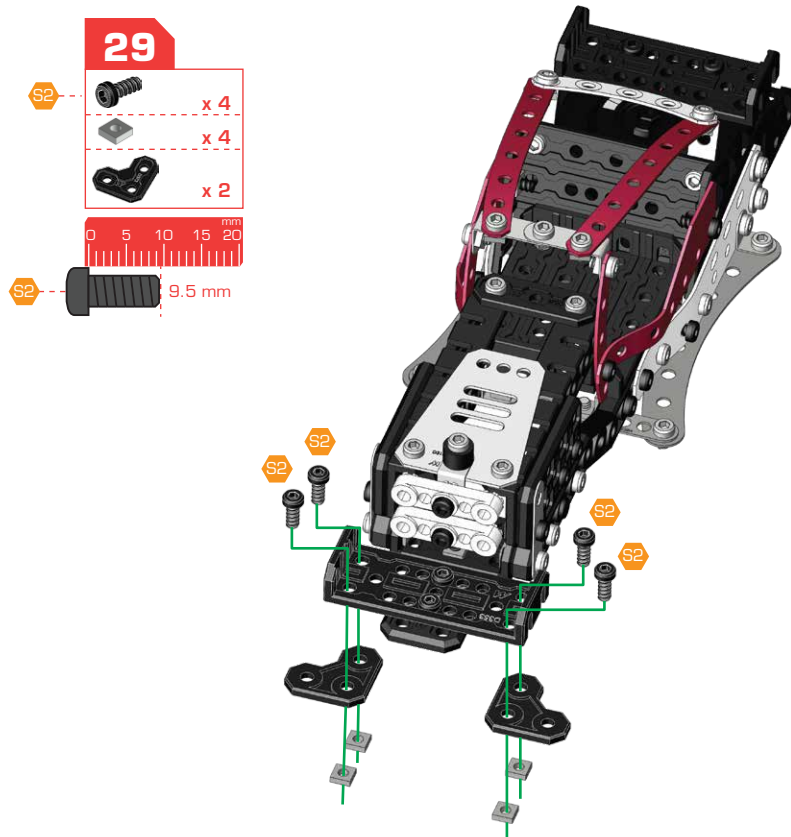
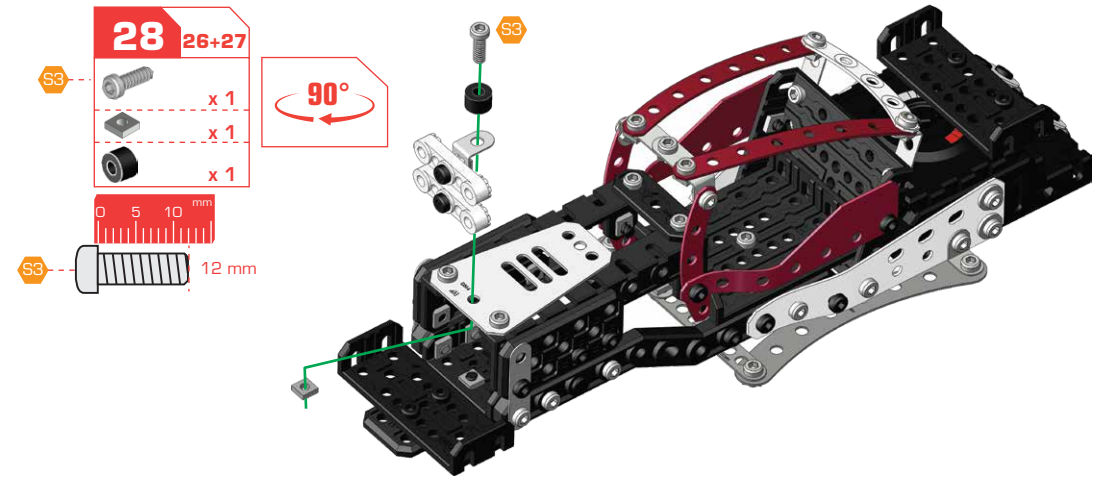
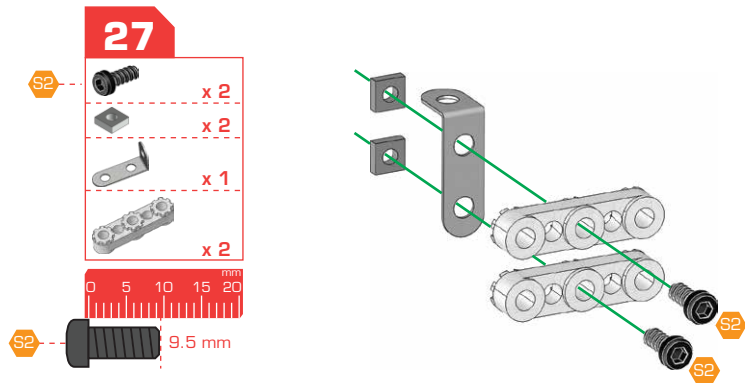




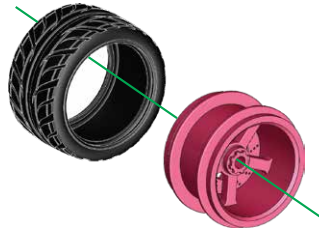




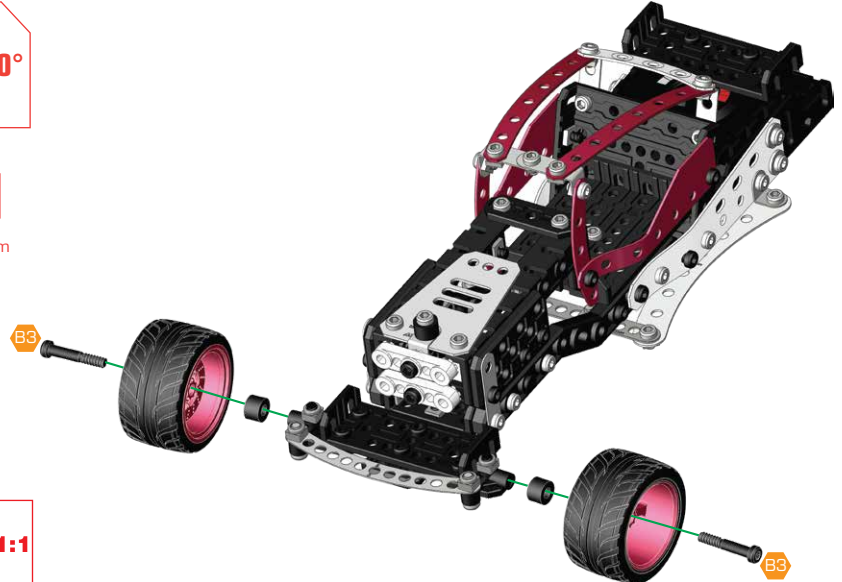
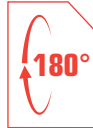




31



32 30+31



33 31+32

