



1

x 1

x 1

+

-

+

-

5

2

x 1

x 1

x 1

3

x 4

x 4

x 2

x 1

S2

S2

9.5 mm

S2

S2

4

x 2

x 2

x 1

x 1

S2

S2

9.5 mm

S2

S2

5

x 4

x 4

x 2

S1

S1

5.8 mm

S1

S1

6

x 2

x 2

x 2

x 1

x 1

S2

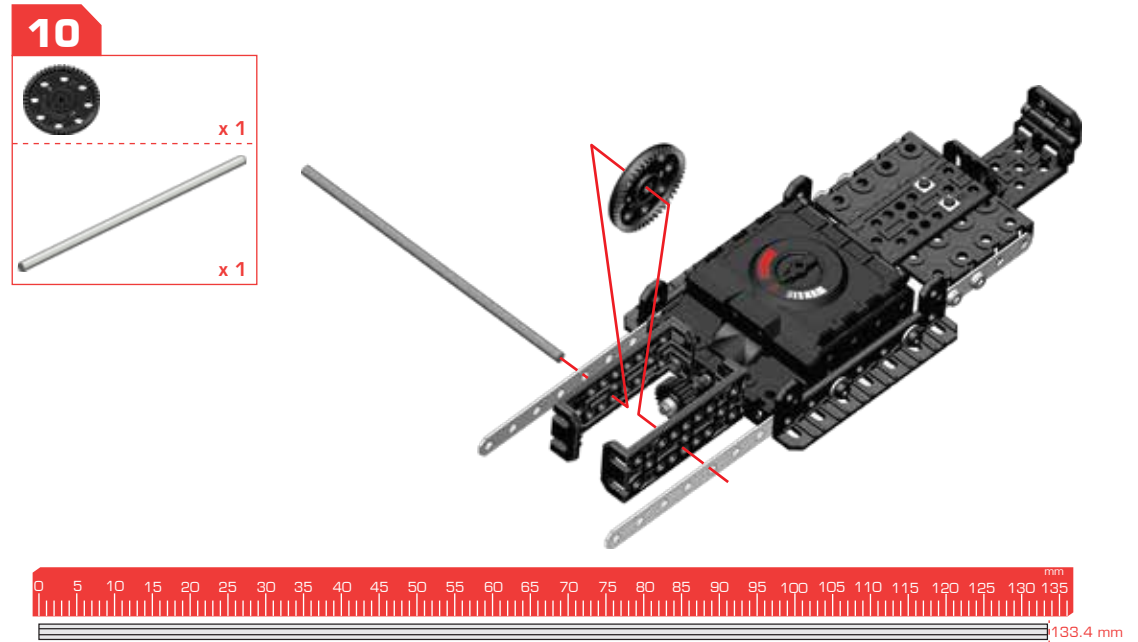
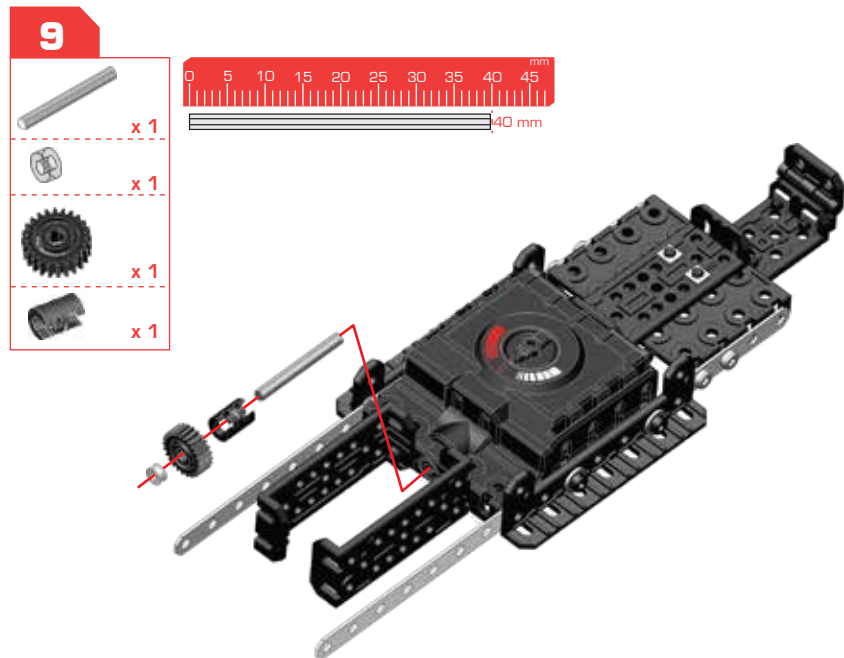
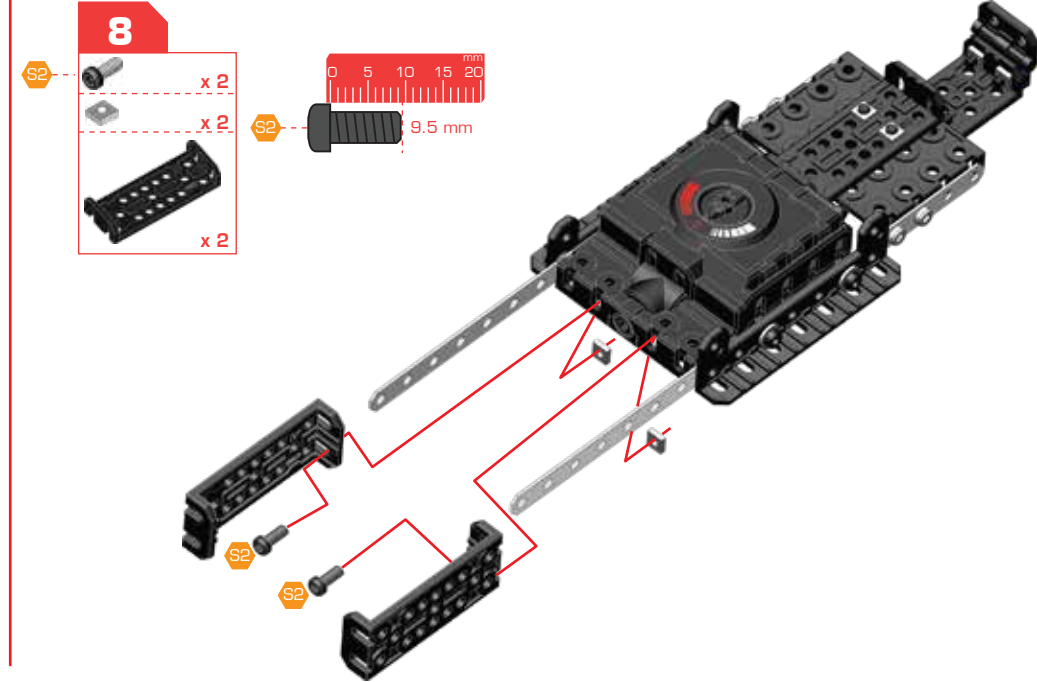
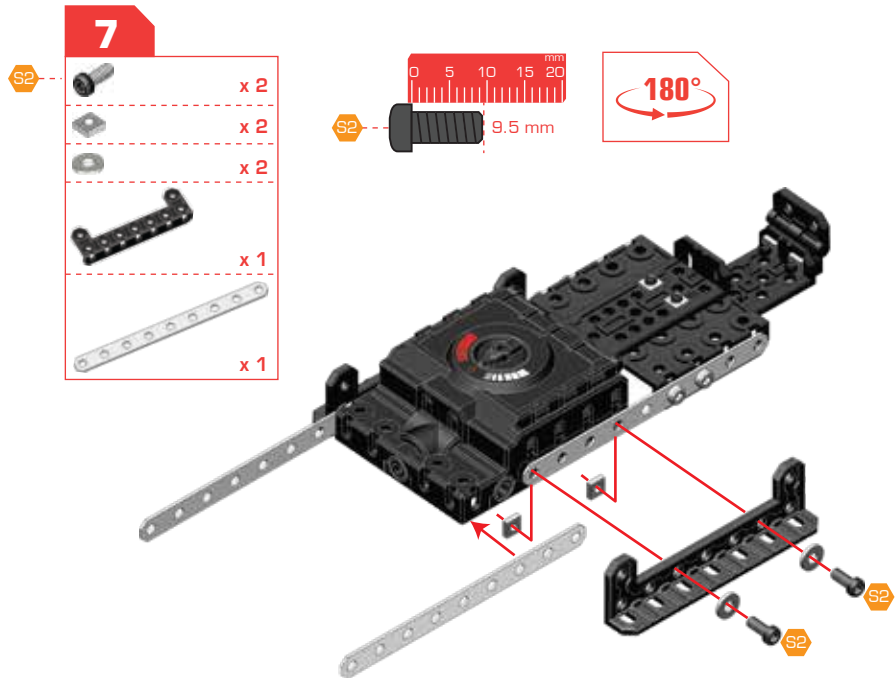
S2

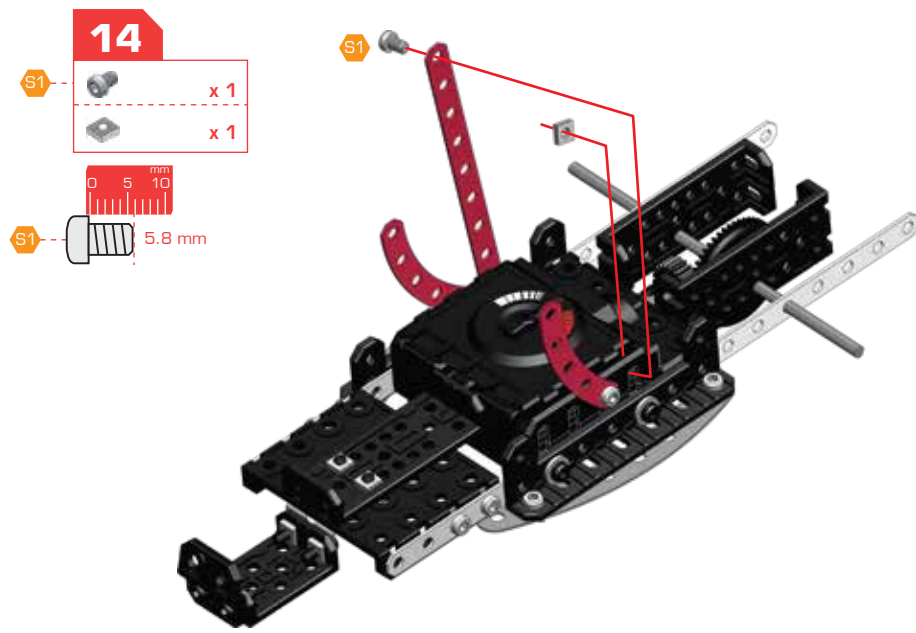
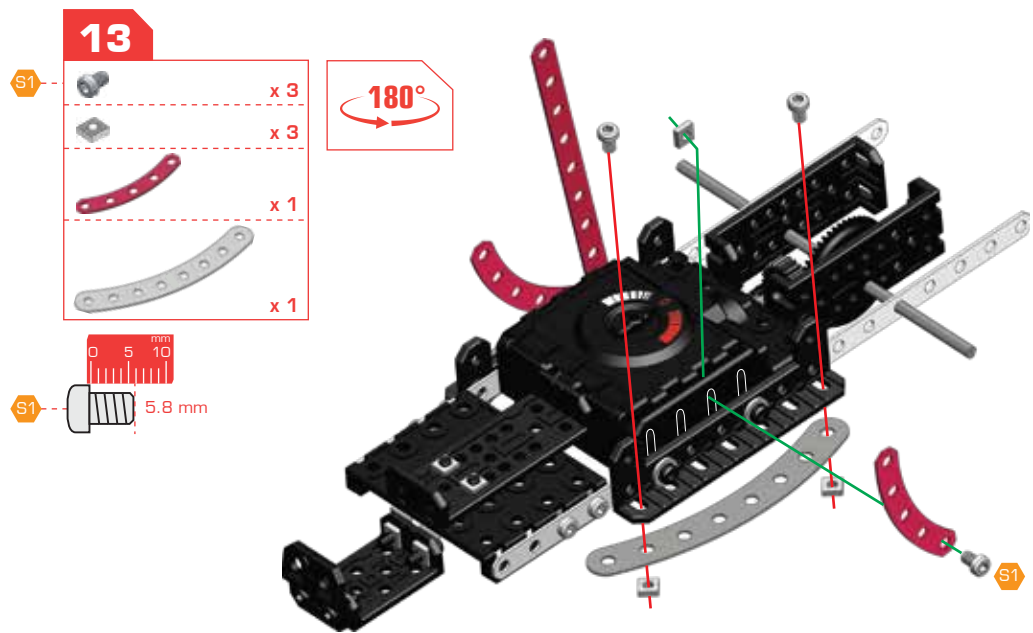
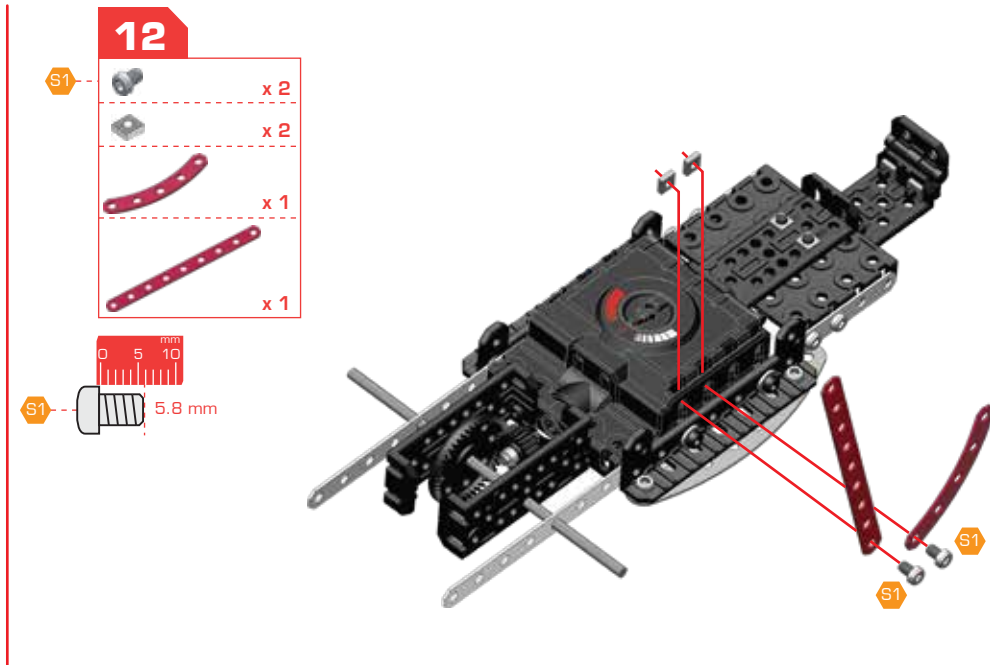
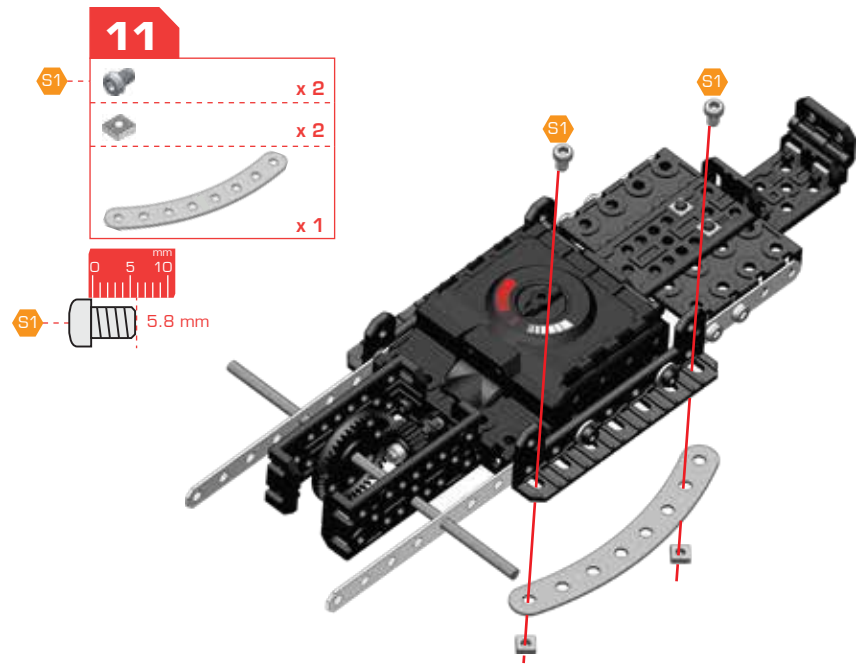
9.5 mm

180°

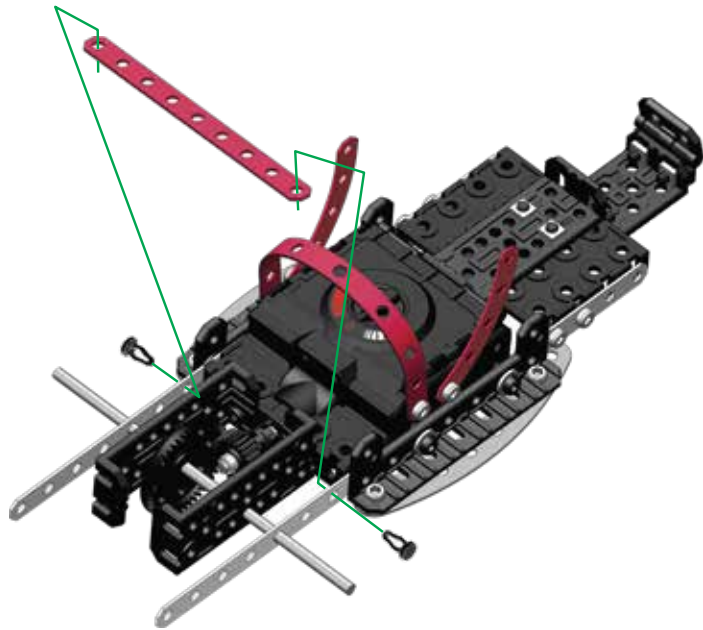
S2

S2

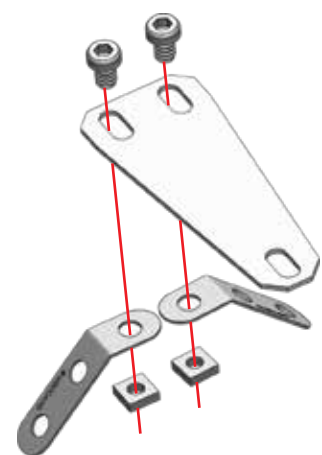
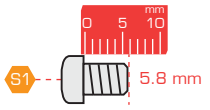
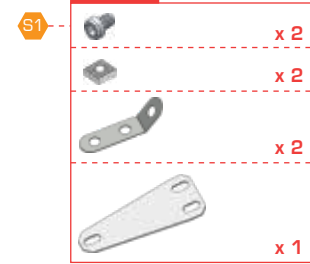




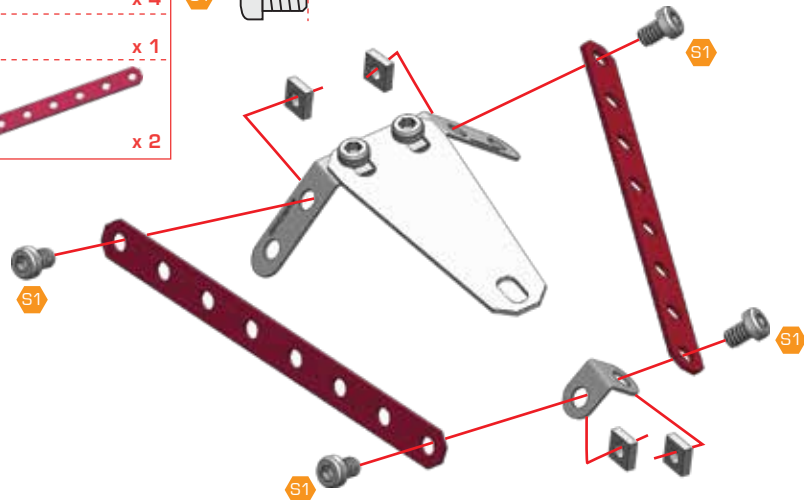
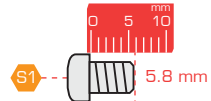
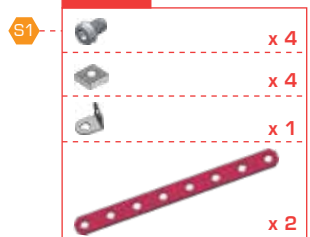
15



16

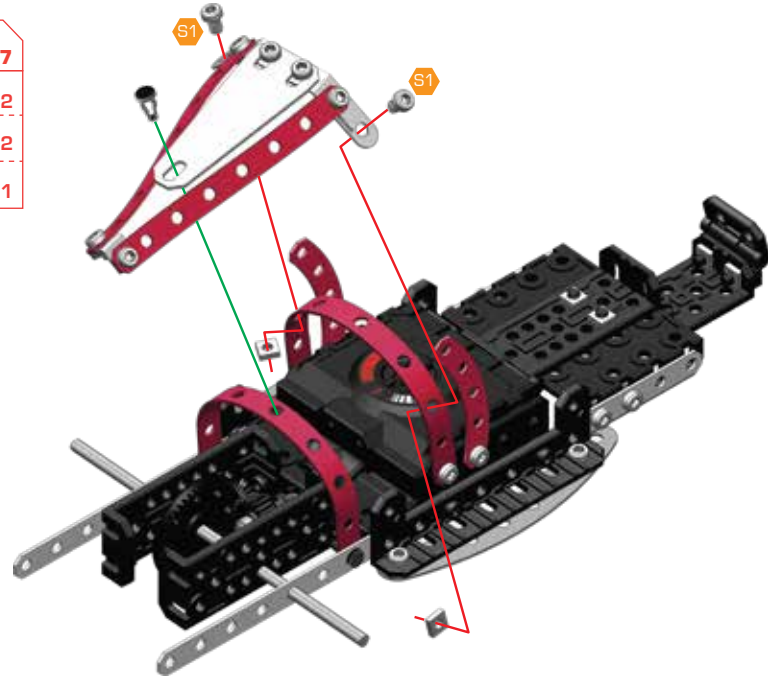
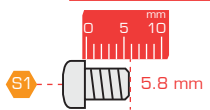


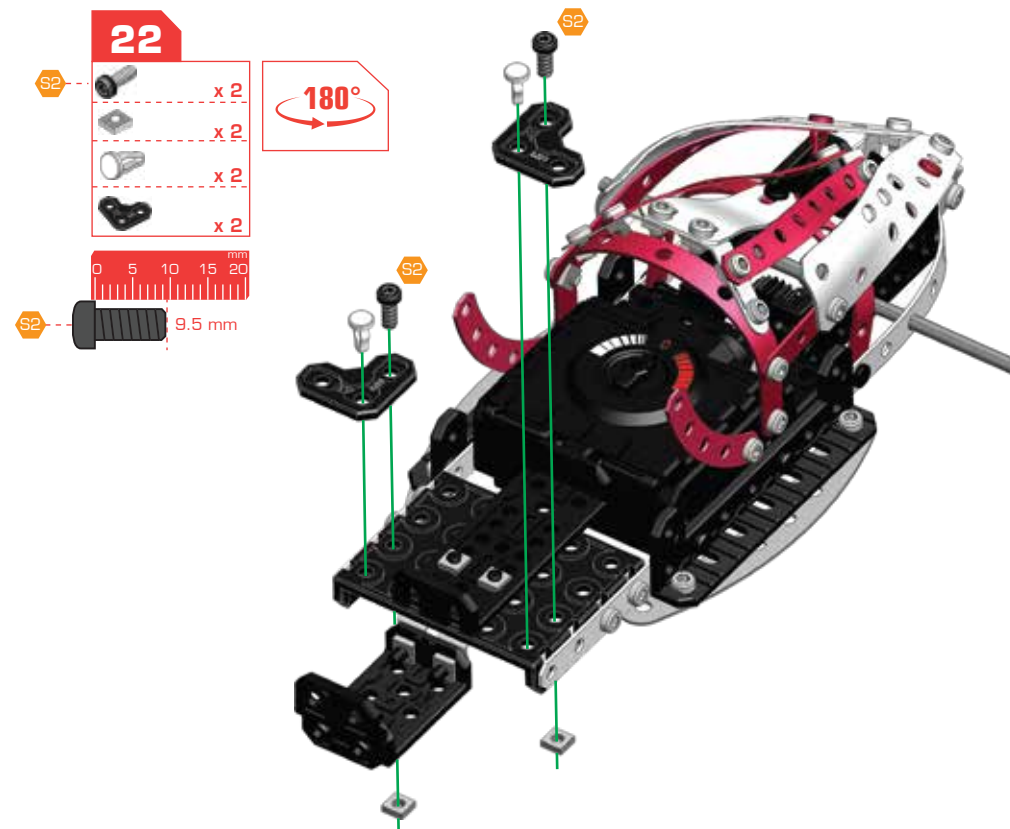
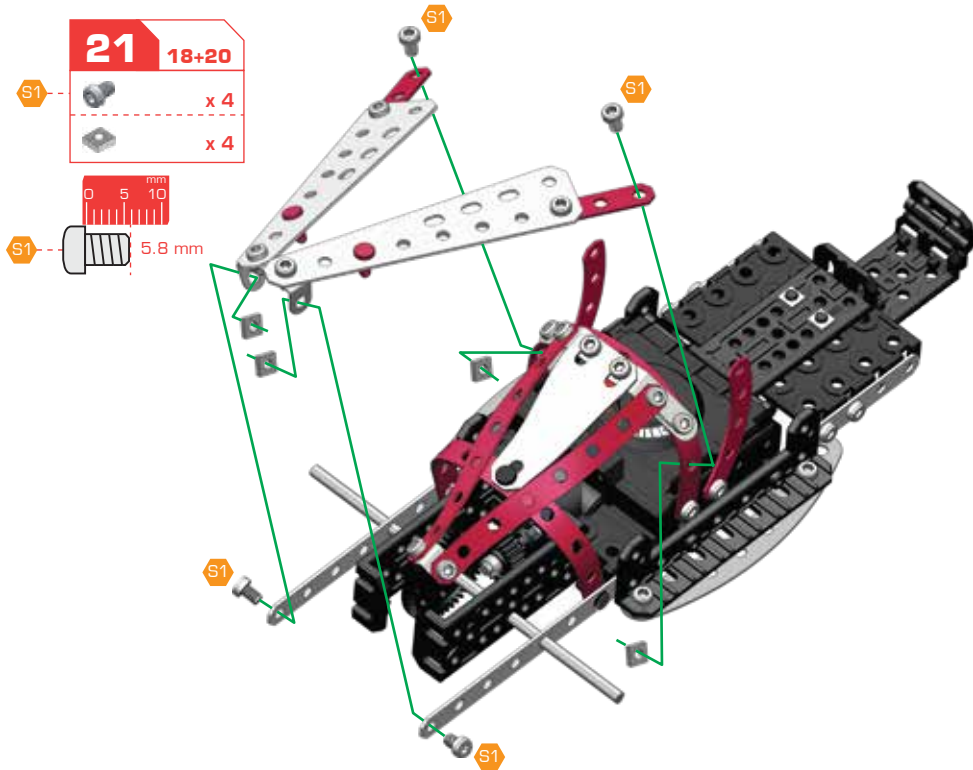
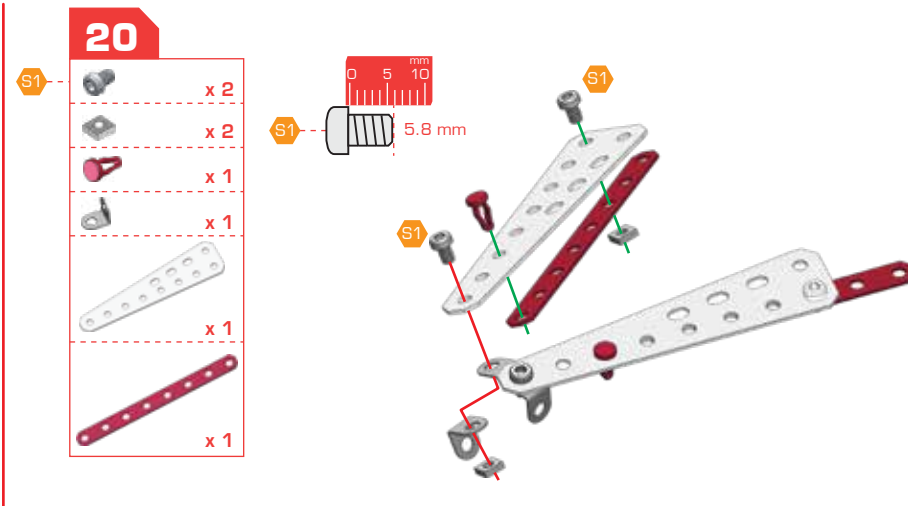
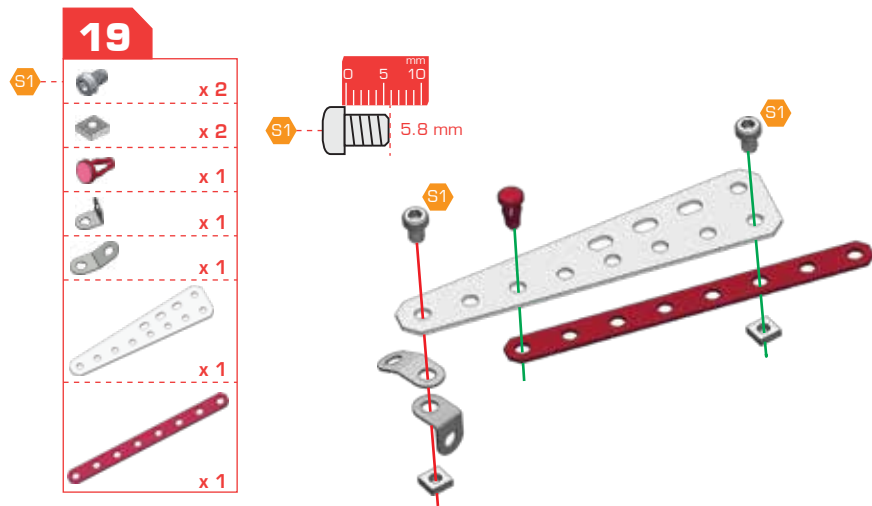
17

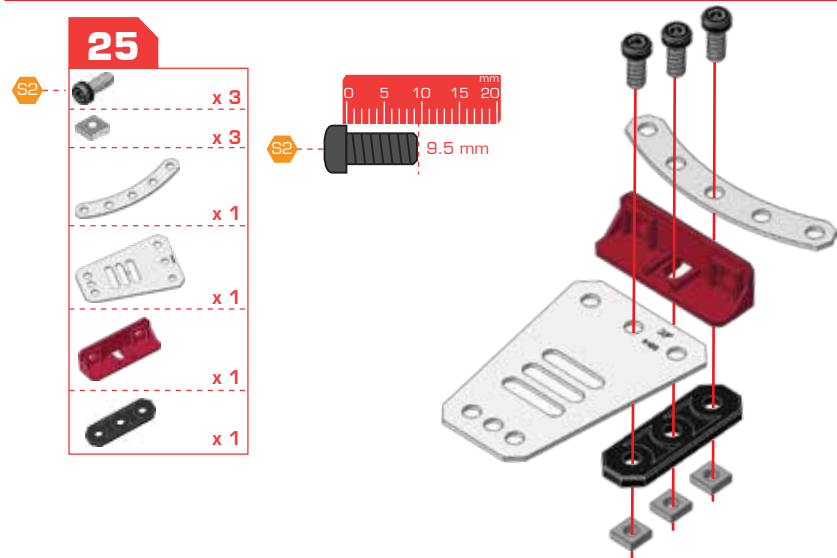
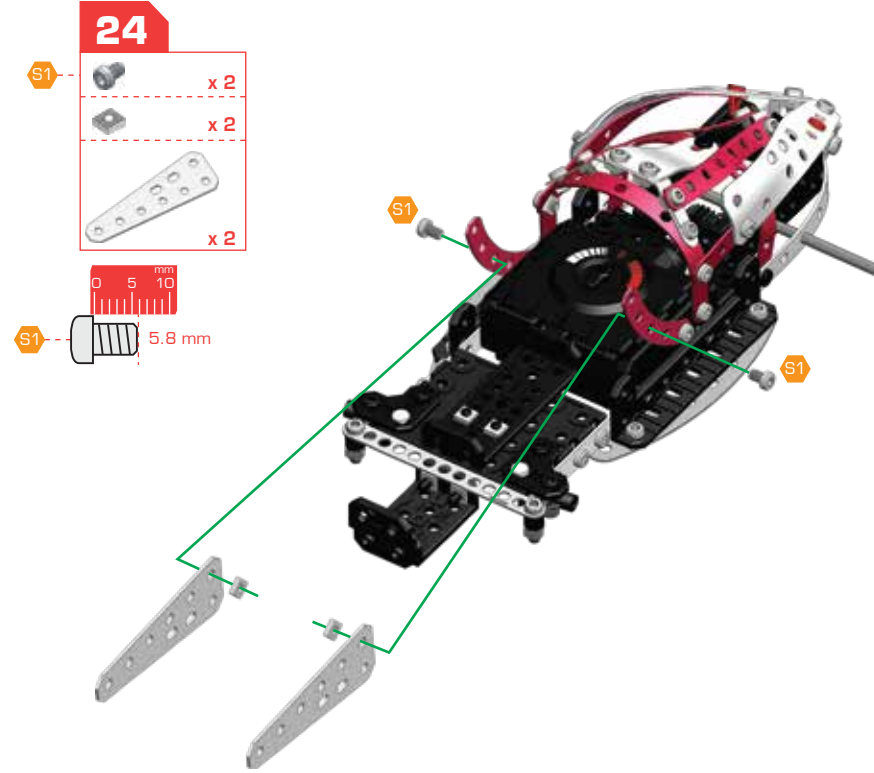
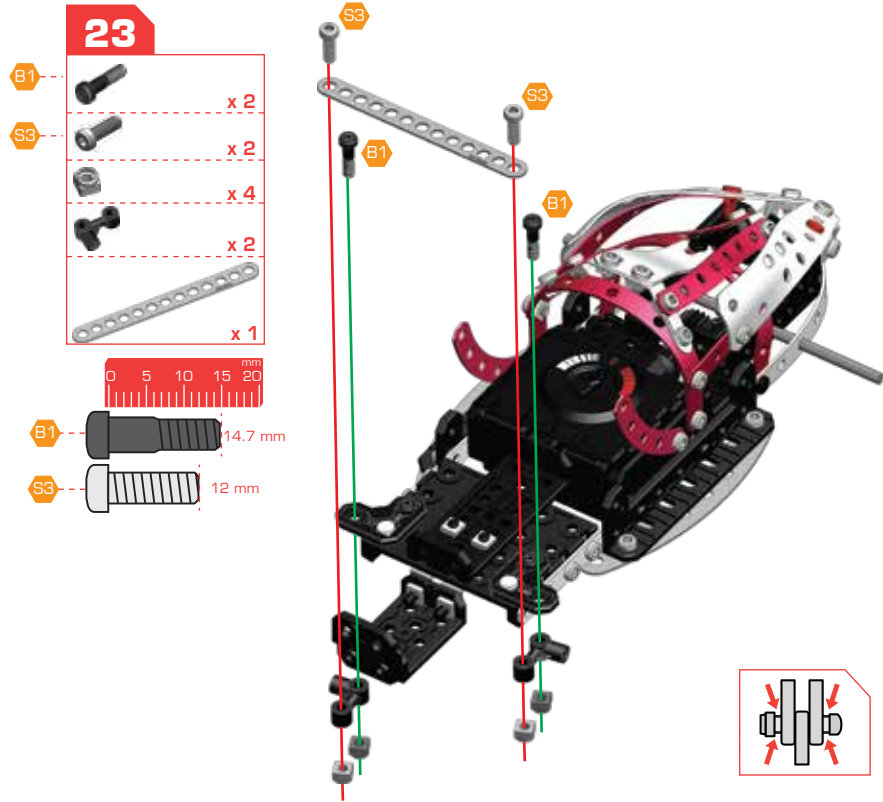


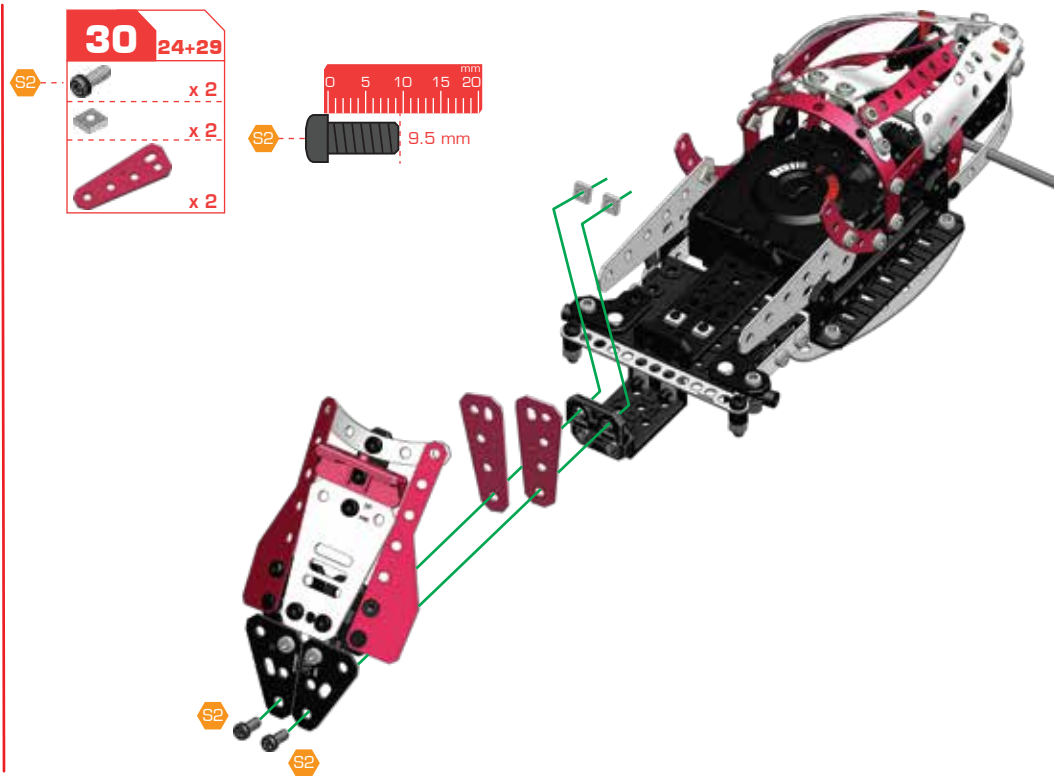
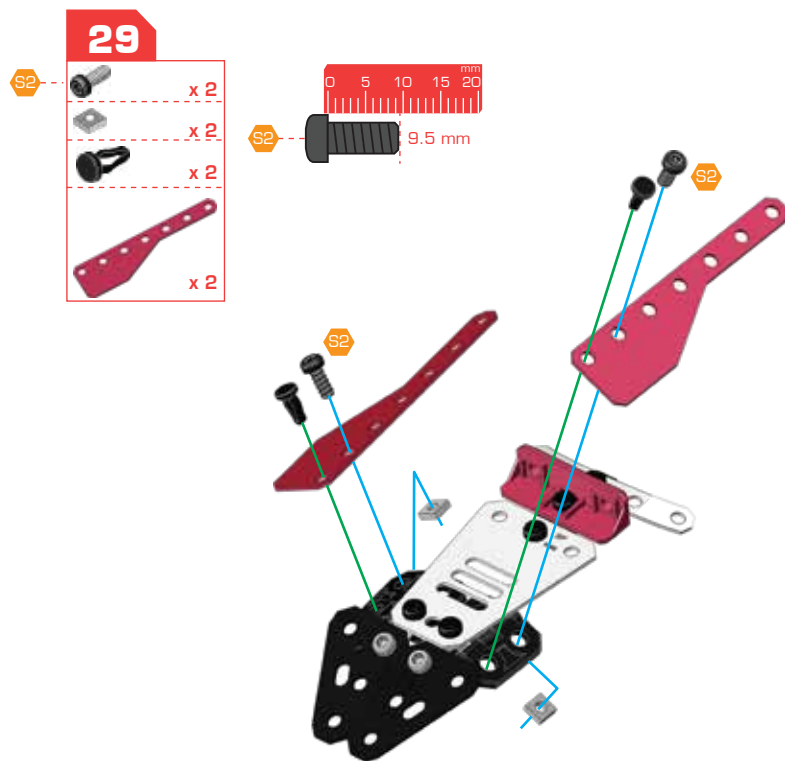
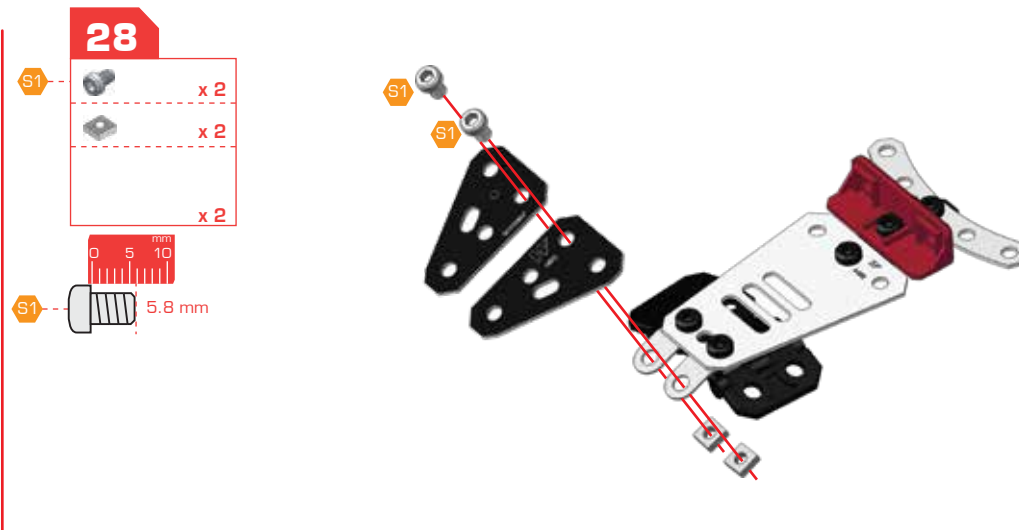
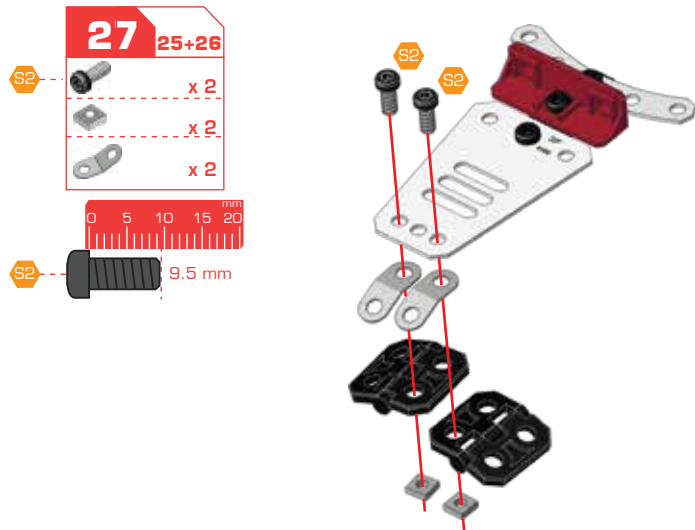
18

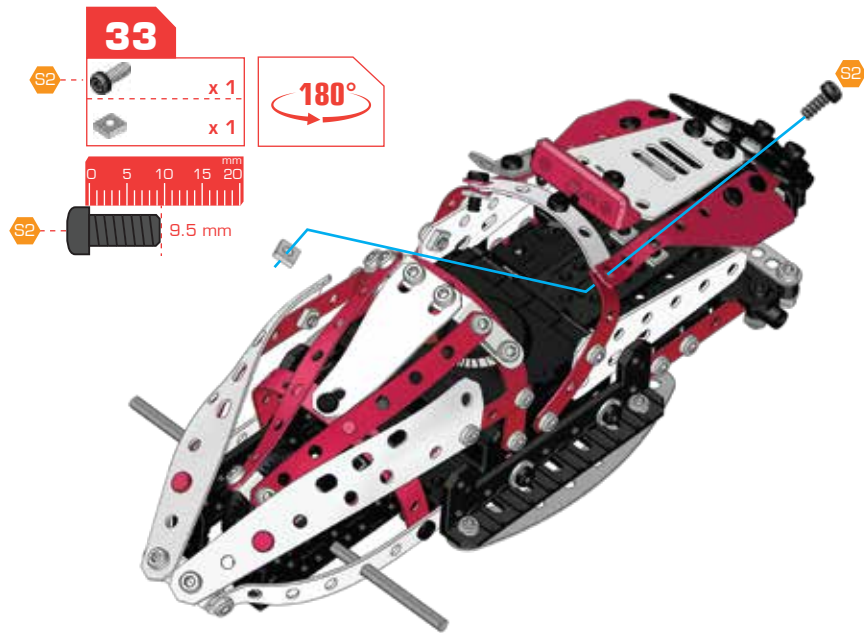
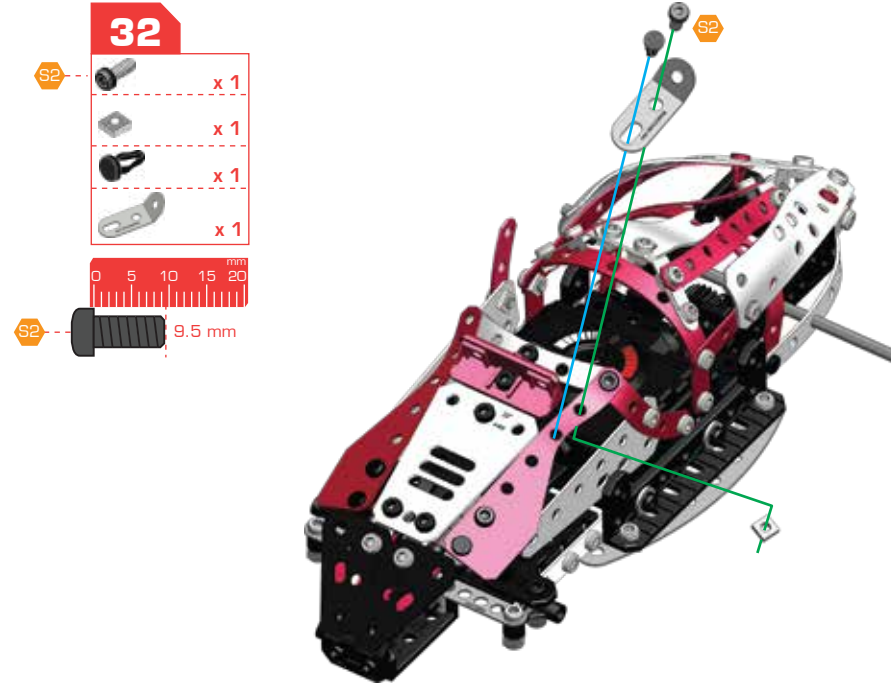
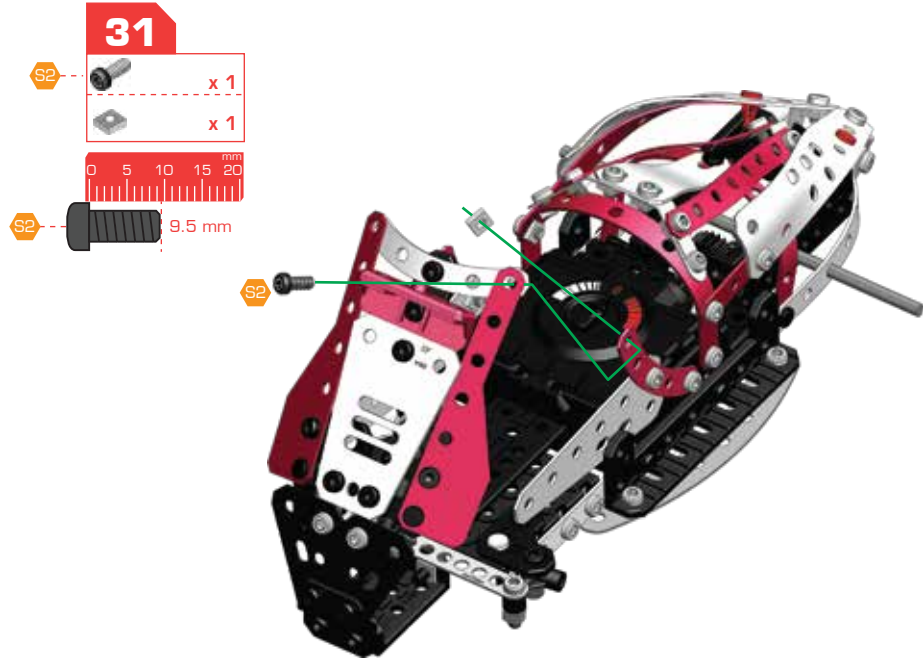
15+17



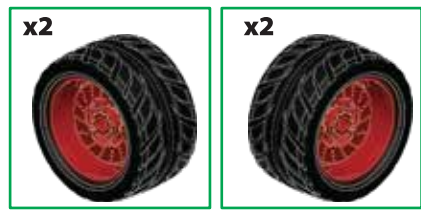




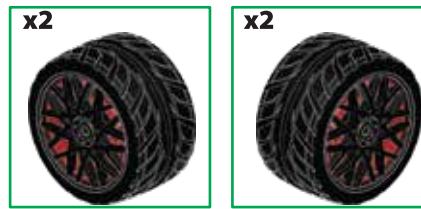
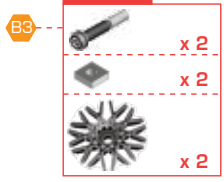








35



36



37	34+35
	x 4
	x 2
	x 2
	x 2



38 36+37

