

### 11

- S1 x 1
- S3 x 1
- x 2
- x 1
- x 1
- x 1
- x 1

5.8 mm

12 mm

90°

A238 1:1

### 12

- S2 x 1
- S3 x 1
- x 2
- x 2
- x 1
- x 1
- x 1

9.5 mm

12 mm

### 13

- S2 x 1
- S3 x 1
- x 2
- x 2
- x 1
- x 1
- x 1

9.5 mm

12 mm

90°

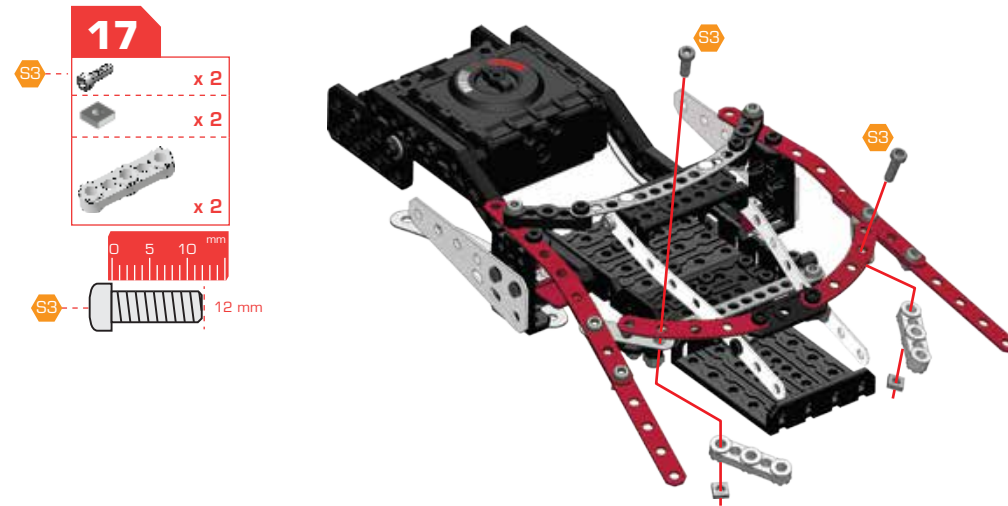
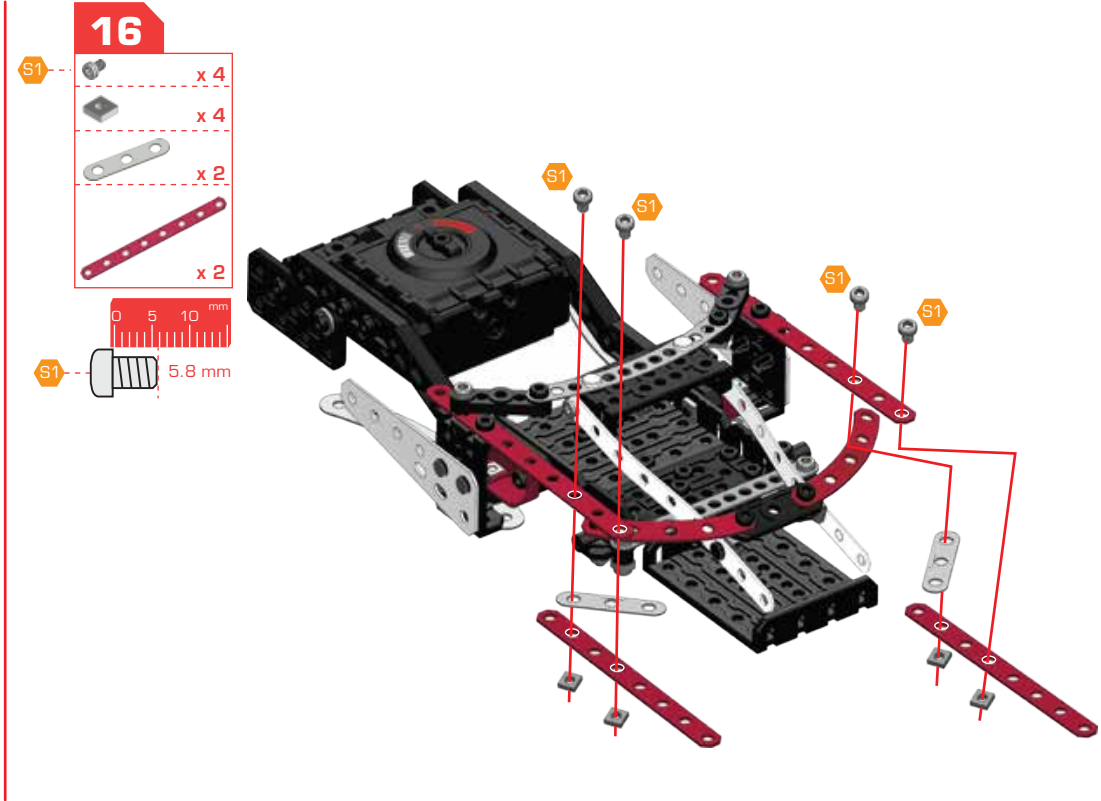
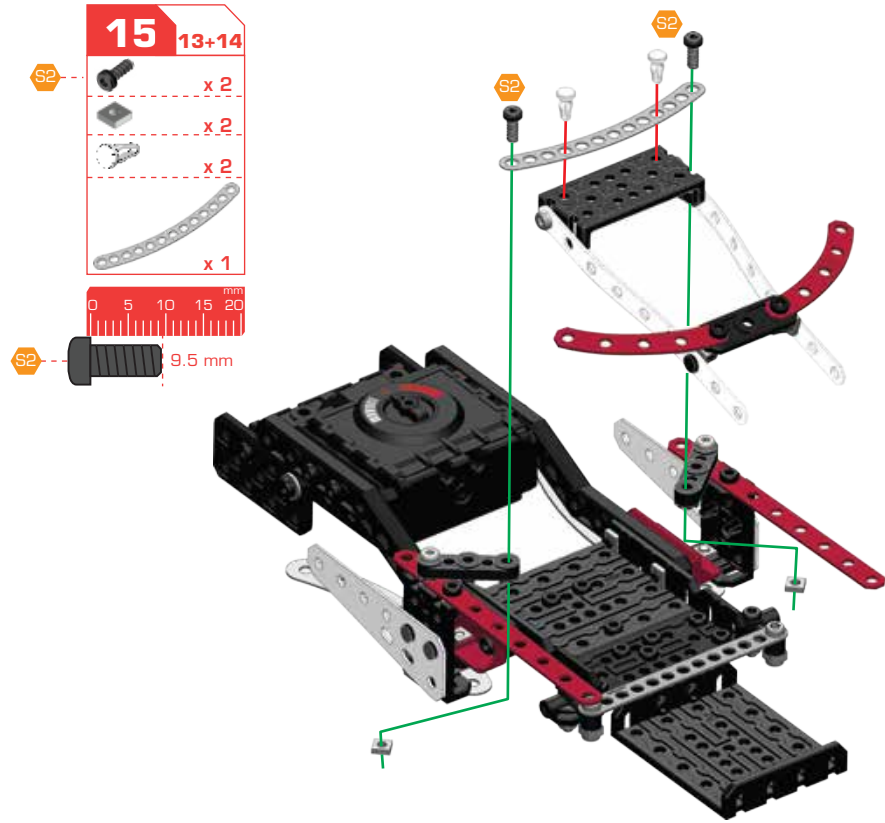
### 14

- S1 x 2
- S2 x 2
- x 2
- x 4
- x 2
- x 1
- x 2
- x 1
- x 2




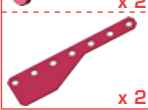


5.8 mm

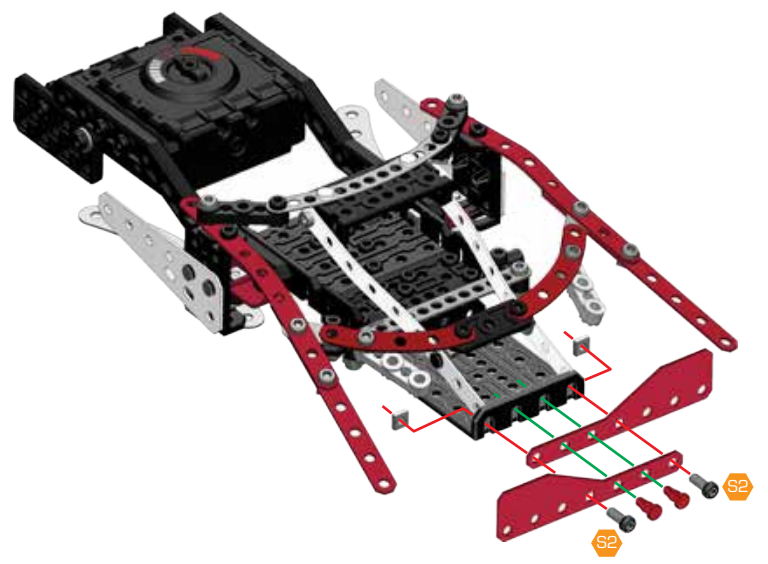
9.5 mm

1 2









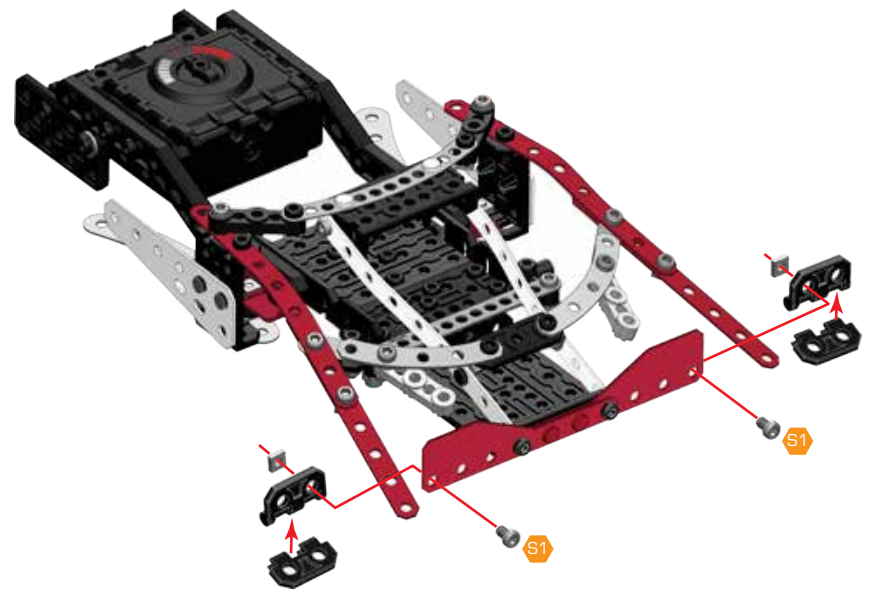
# 18

-  x 2
  -  x 2
  -  x 2
  -  x 2
-  0 5 10 15 20 mm
-  9.5 mm



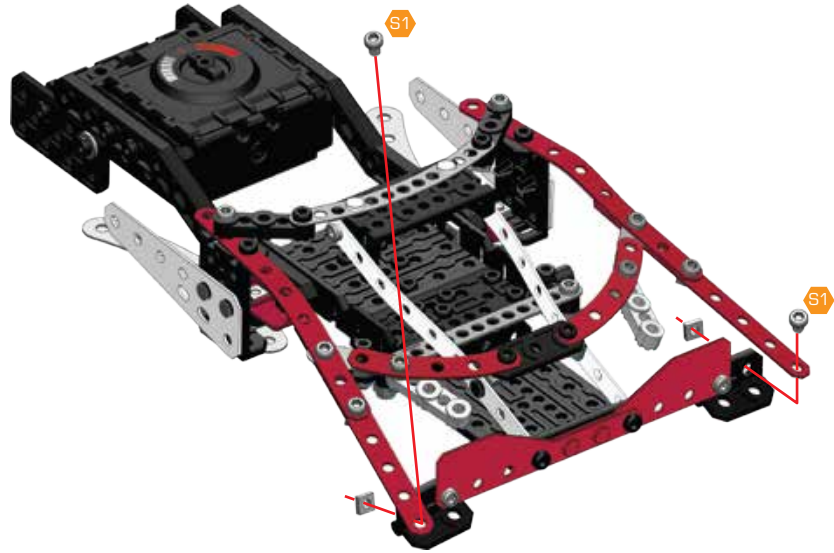
# 19

-  x 2
  -  x 2
  -  x 2
  -  x 2
-  0 5 10 mm
-  5.8 mm



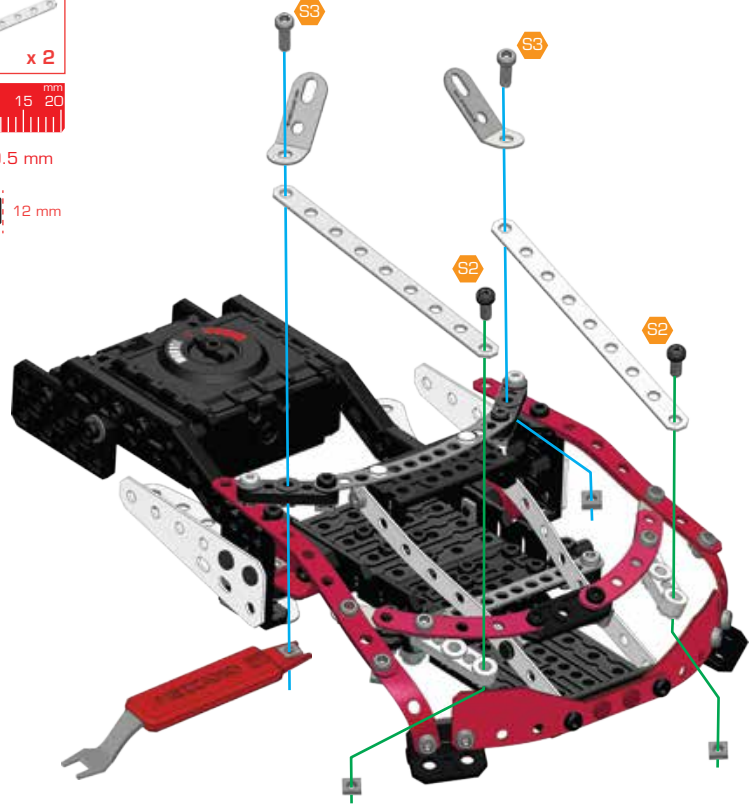
# 20

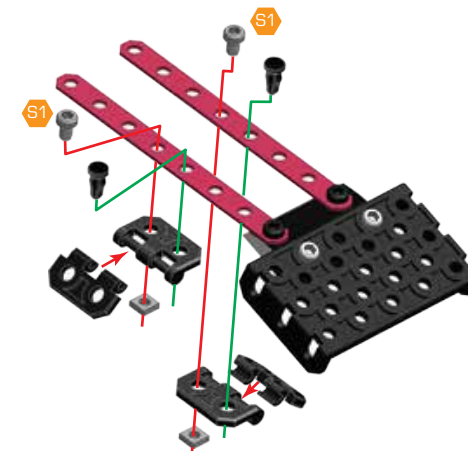
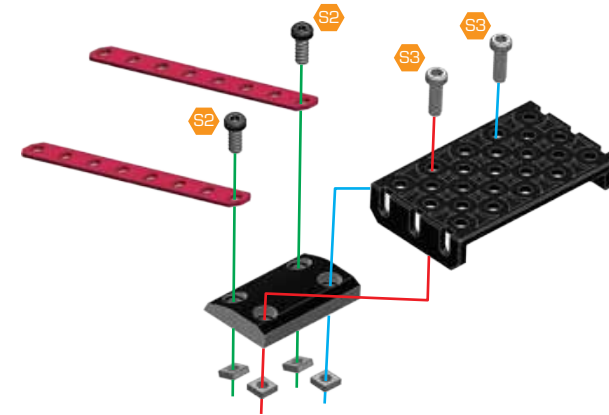
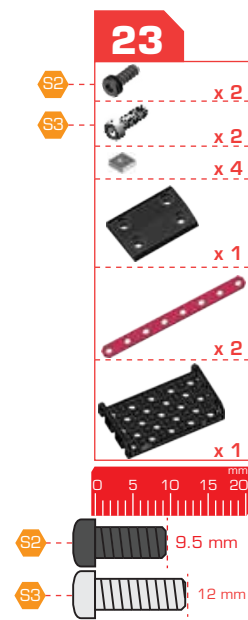
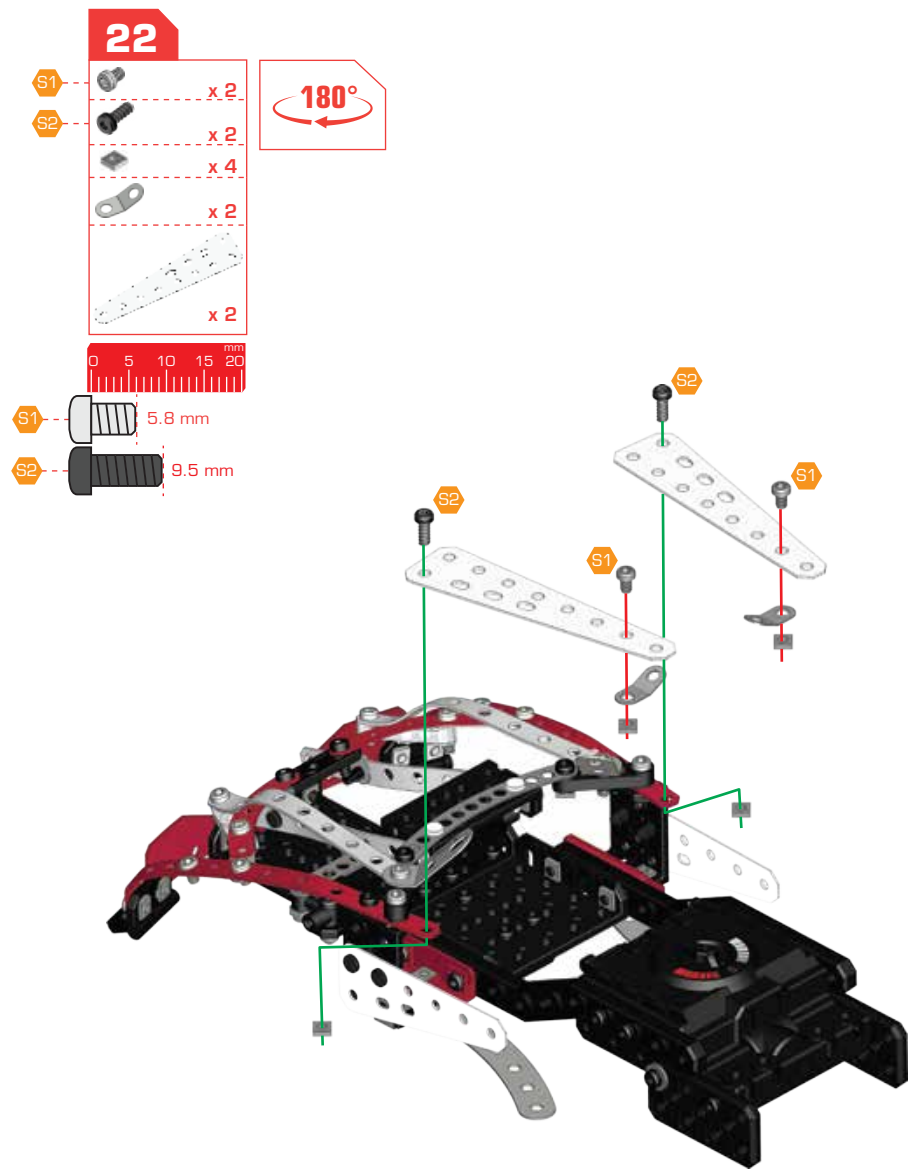
- S1 x 2
- x 2
- 0 5 10 mm
- S1 5.8 mm



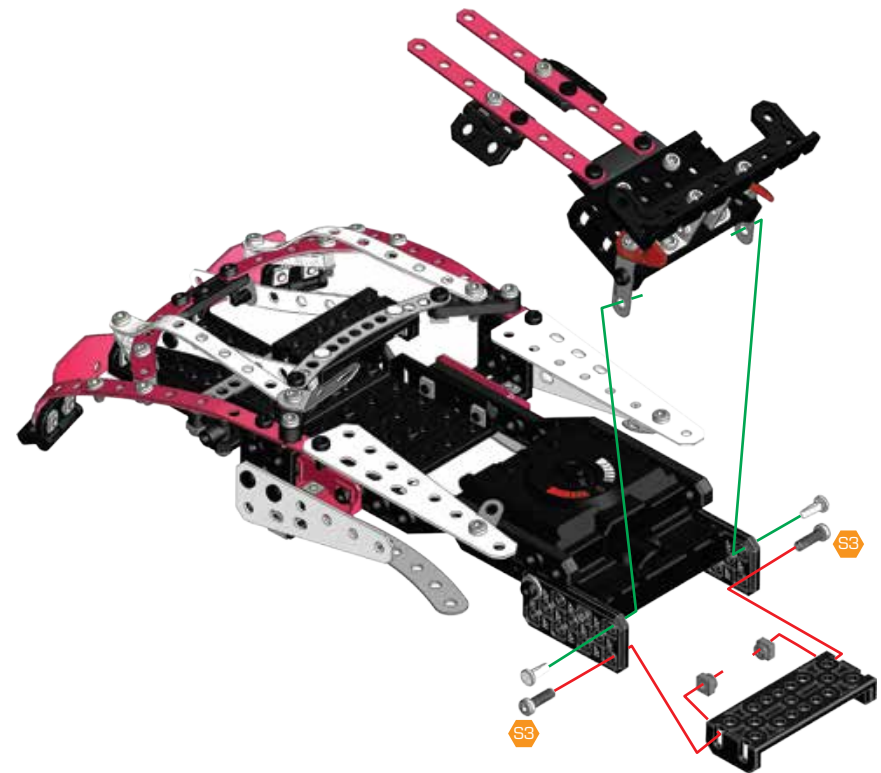
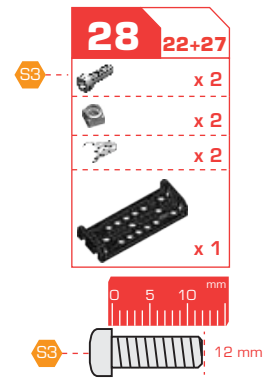
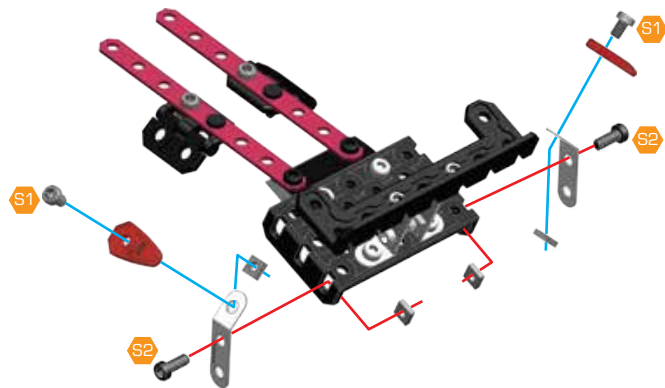
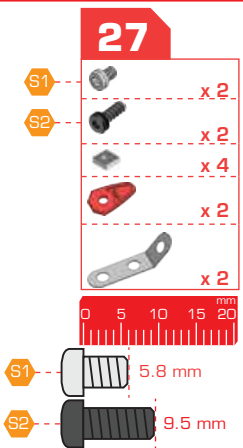
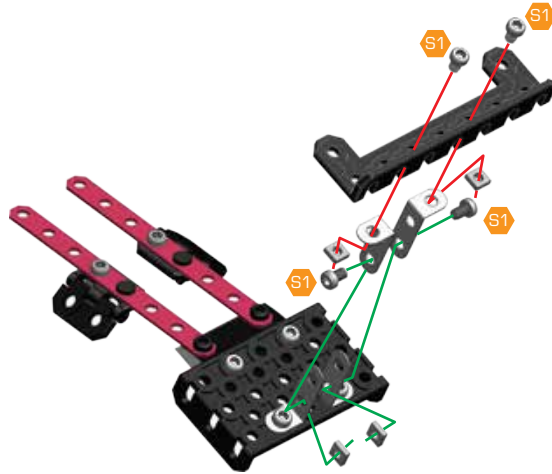
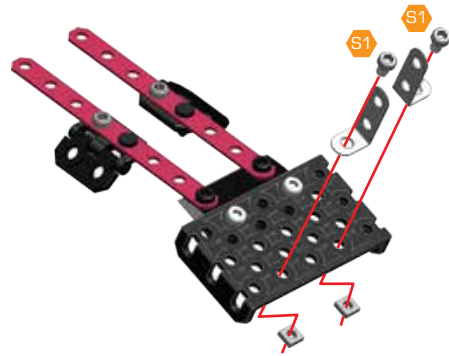
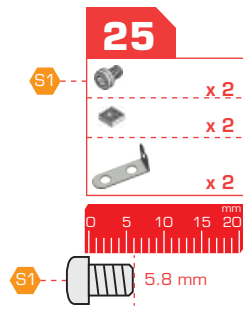
# 21

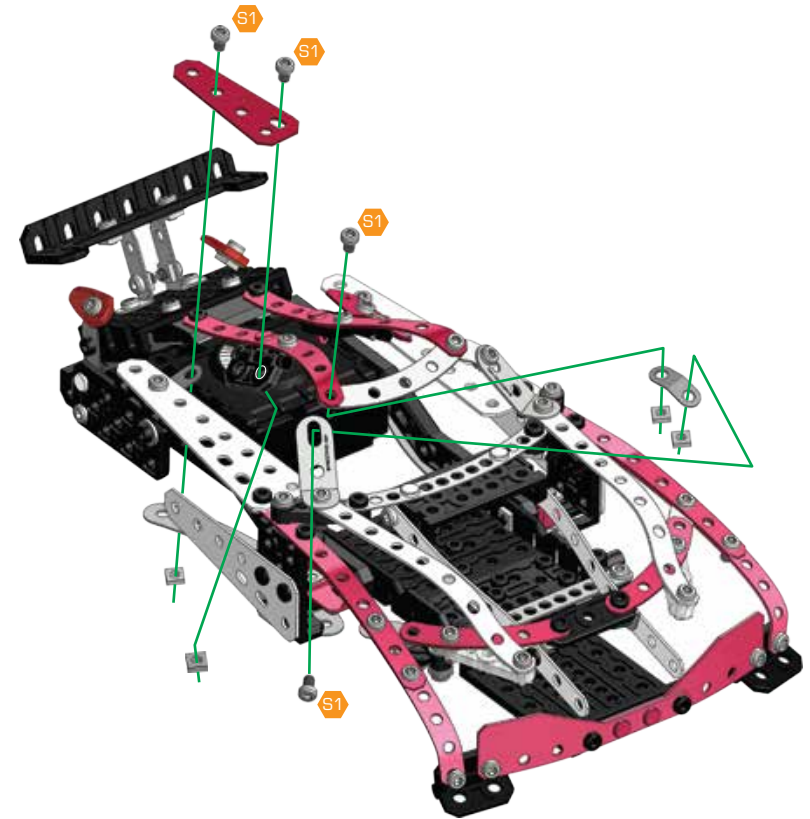
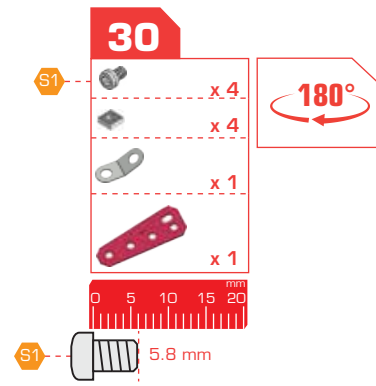
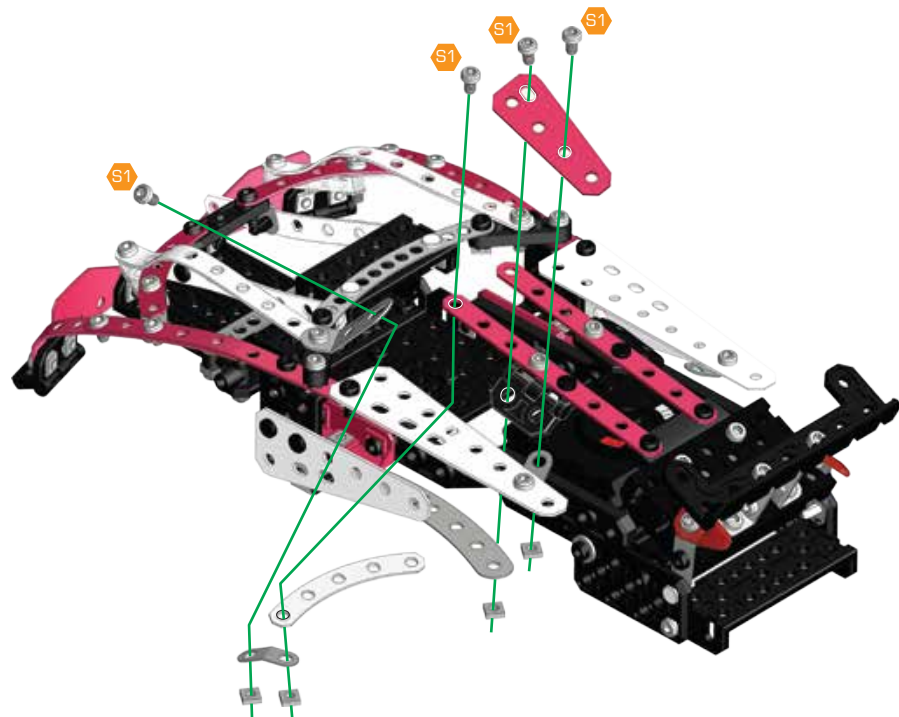
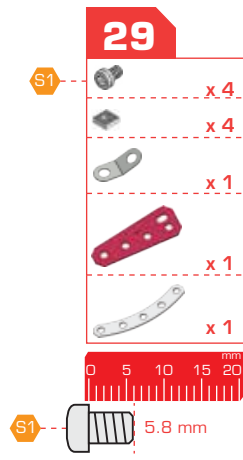
- S2 x 2
- S3 x 2
- x 4
- x 2
- x 2
- 0 5 10 15 20 mm
- S2 9.5 mm
- S3 12 mm



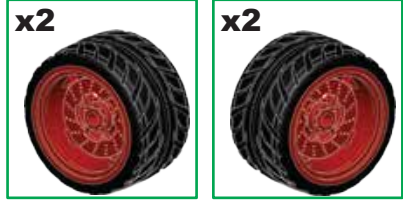




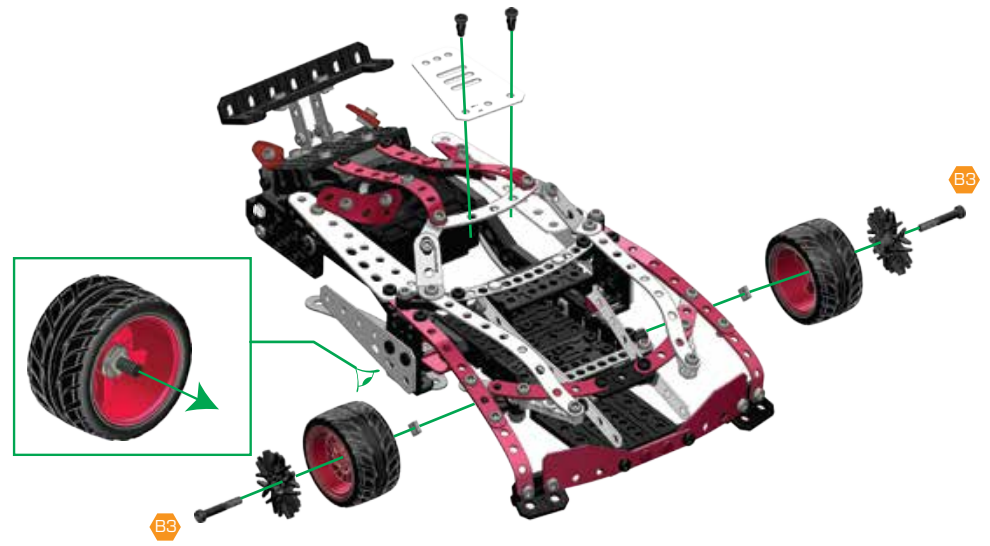
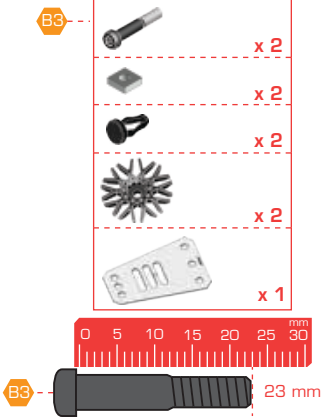




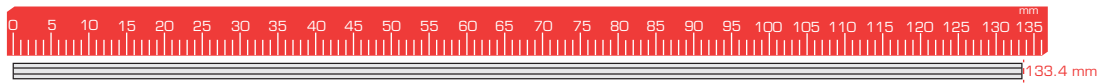
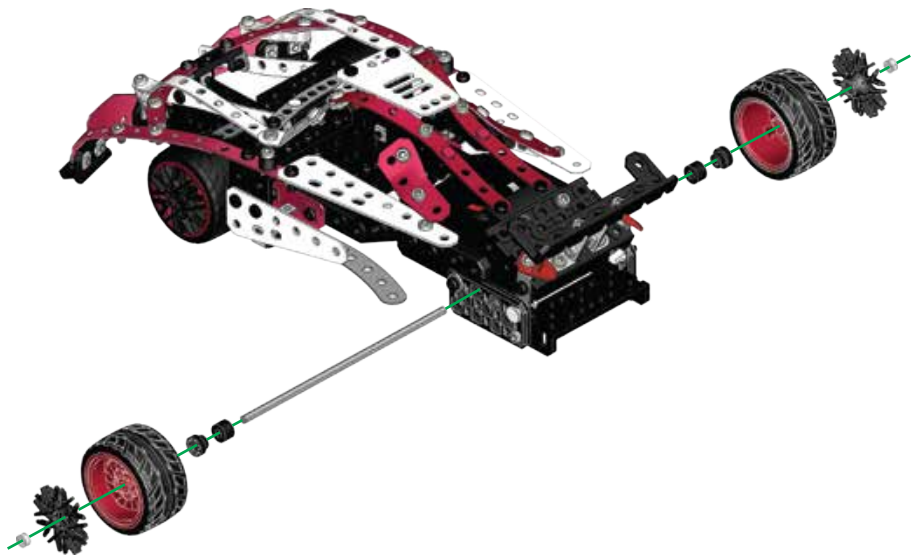
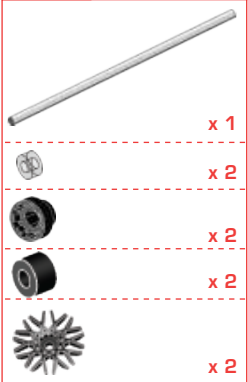
### 31



### 32 30+31



### 33 31+32



**34**

	x 2
	x 2
	x 2
	x 2
	x 2

5.8 mm

