

### 9

- S3 x 1
- B1 x 1
- x 2
- x 1
- x 1

0 5 10 15 20 mm

- S3 12 mm
- B1 14.7 mm

### 10

- S2 x 1
- x 1
- x 1
- x 1
- x 1

0 5 10 15 20 mm

- S2 9.5 mm

### 11 1+9+10

- S3 x 2
- x 2

0 5 10 mm

- S3 12 mm

### 12

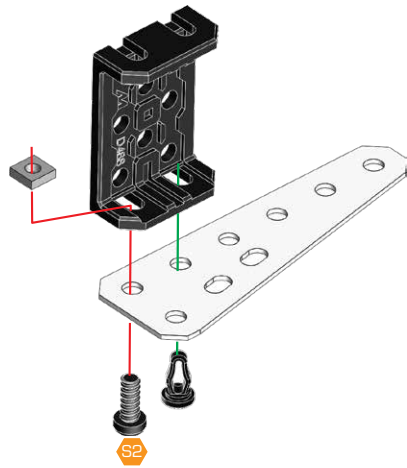
90°

- S3 x 1
- B1 x 1
- x 2
- x 1
- x 1

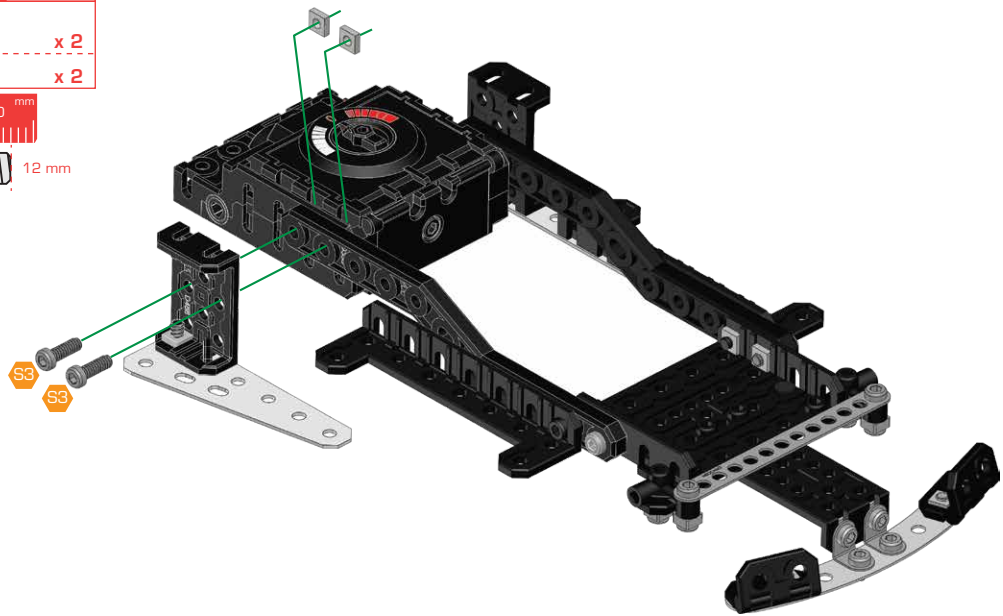
0 5 10 15 20 mm

- S3 12 mm
- B1 14.7 mm

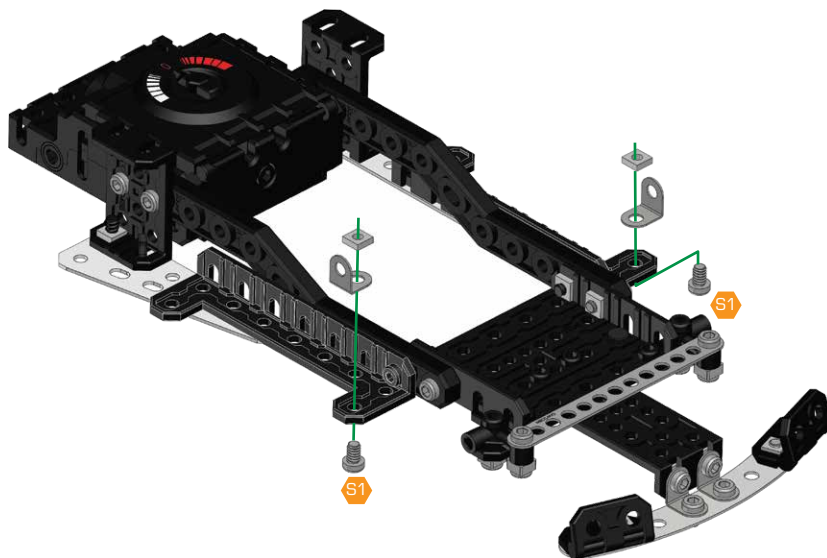
- 13**
- S2 x 1
  - x 1
  - x 1
  - x 1
  - x 1
- 0 5 10 15 20 mm
- S2 9.5 mm



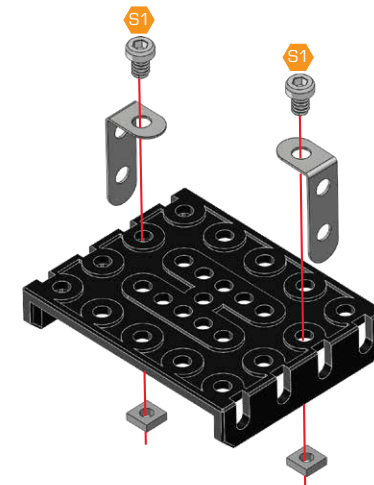
- 14** 12+13
- S3 x 2
  - x 2
  - 0 5 10 mm
  - S3 12 mm



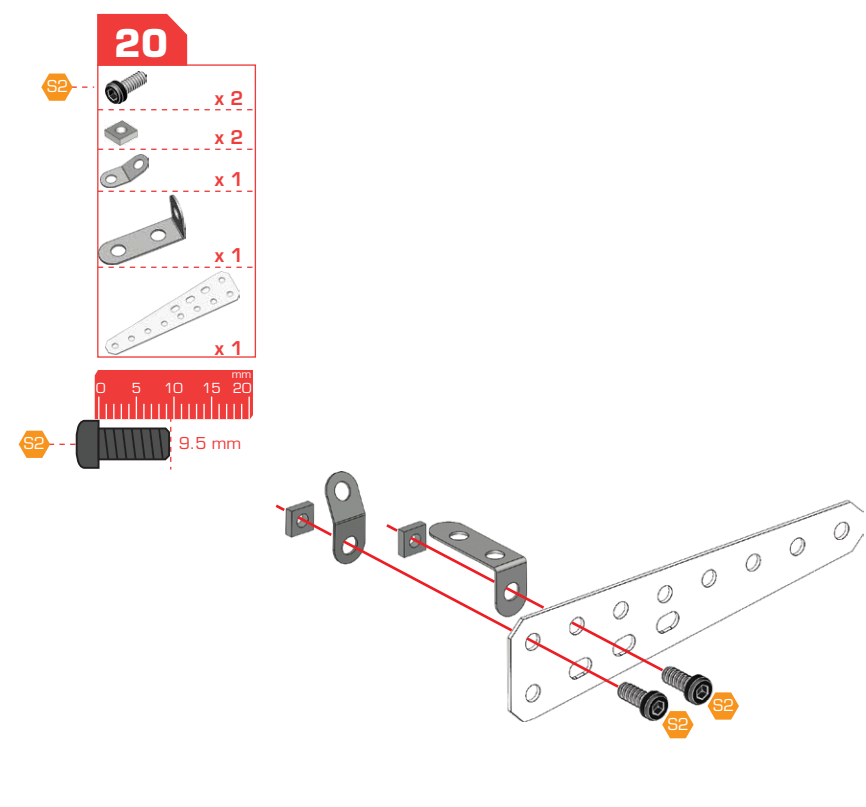
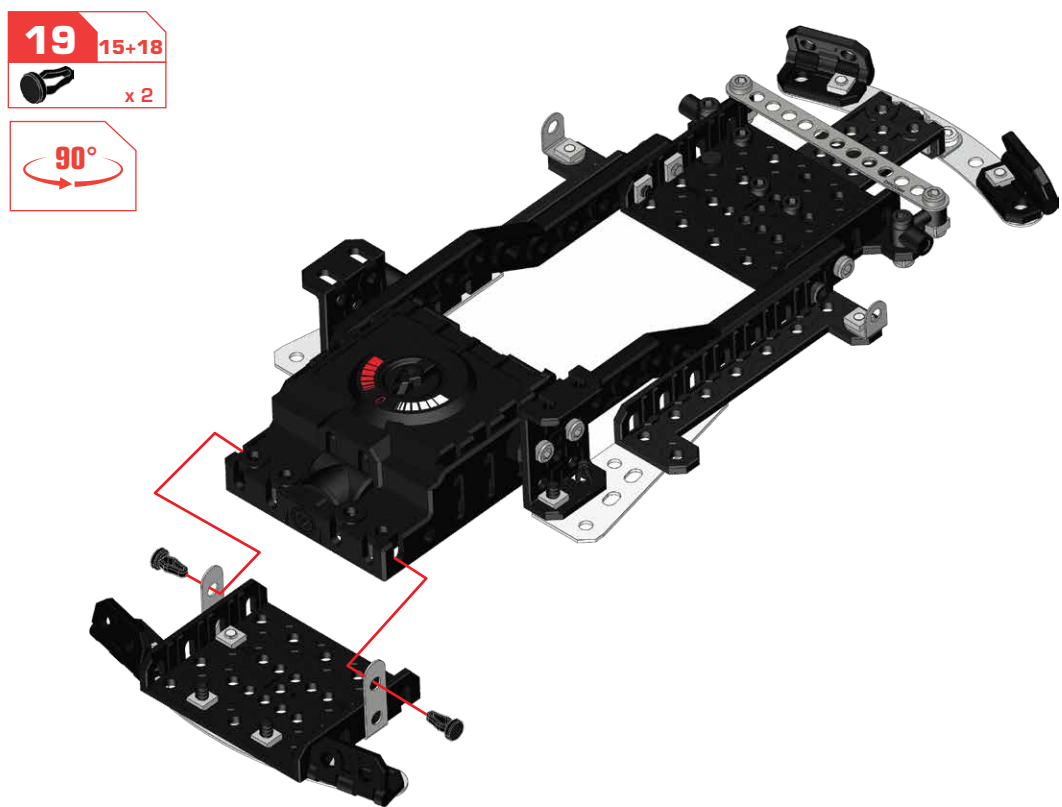
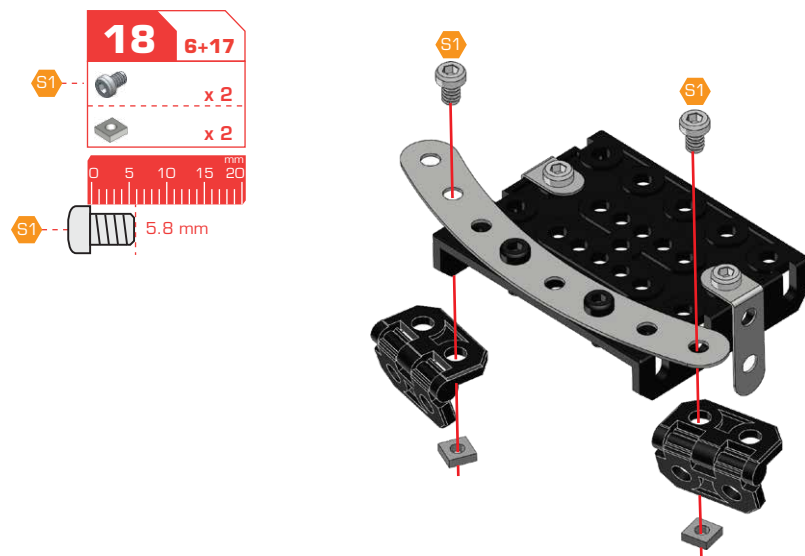
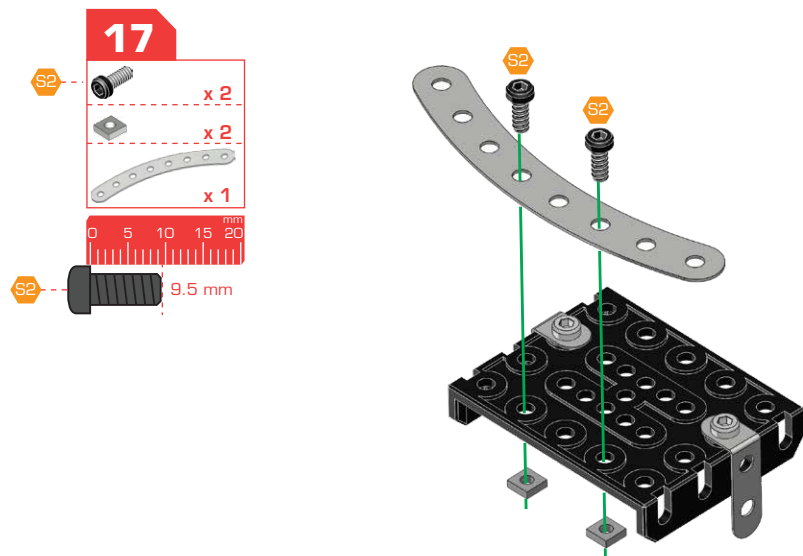
- 15**
- S1 x 2
  - x 2
  - x 2
  - 0 5 10 15 20 mm
  - S1 5.8 mm



- 16**
- S1 x 2
  - x 2
  - x 2
  - x 1
  - 0 5 10 15 20 mm
  - S1 5.8 mm







**21** 19+20

180°

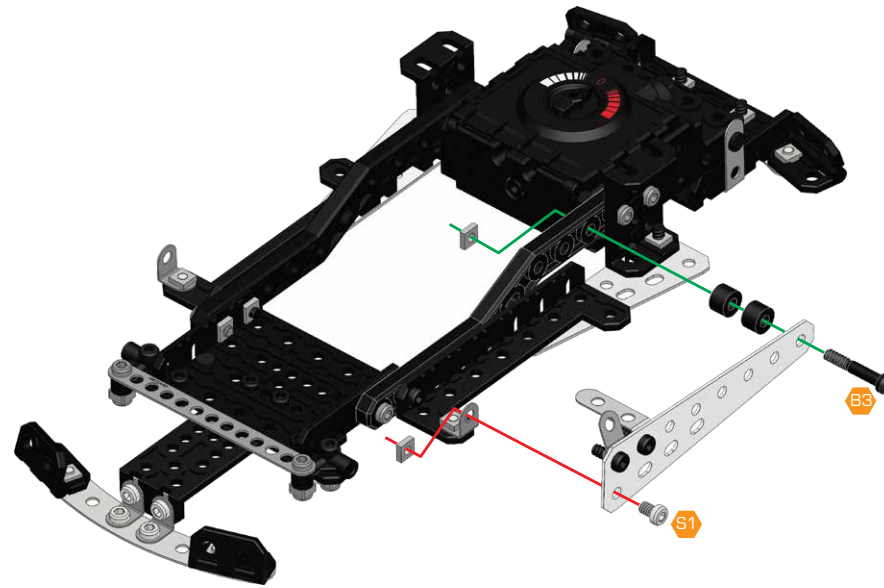
- S1 x 1
- B3 x 1
- x 2
- x 2

0 5 10 15 20 25 30 mm

S1 5.8 mm

B3 23 mm

A238 1:1

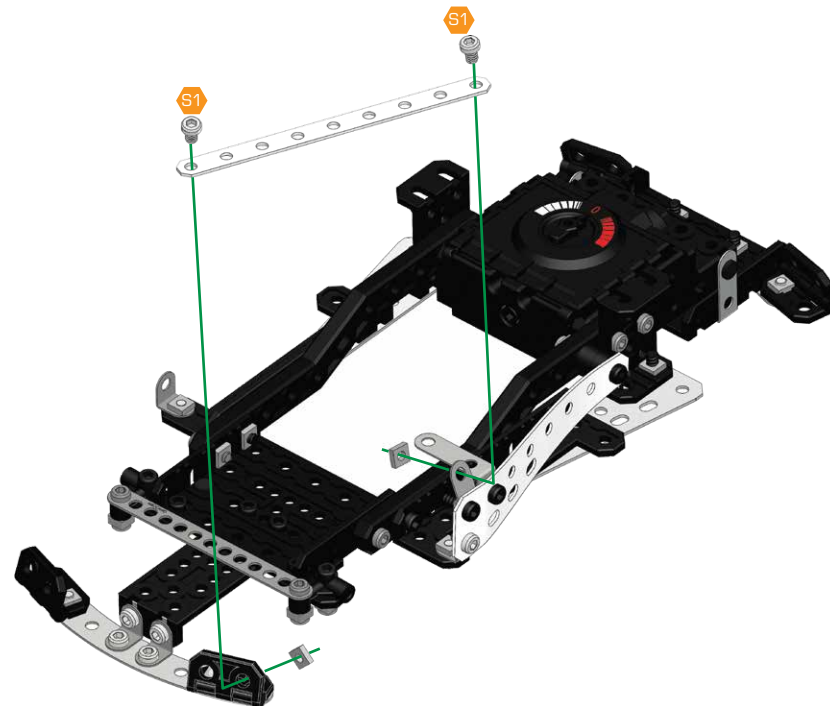


**22**

- S1 x 2
- x 2
- x 1

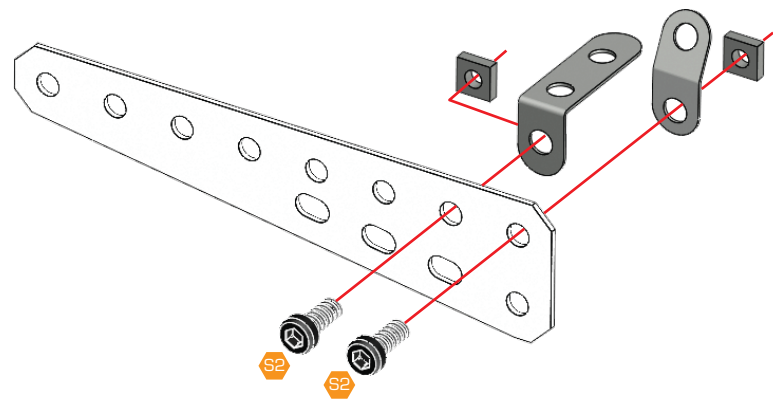
0 5 10 mm

S1 5.8 mm



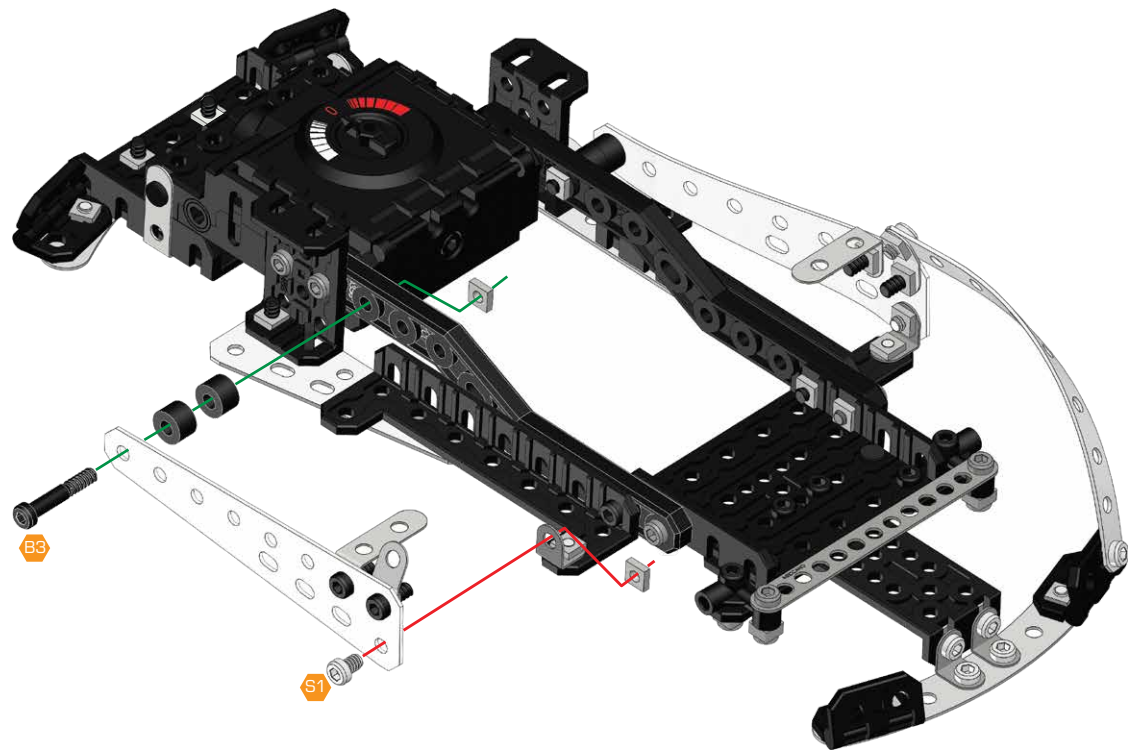
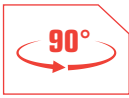
**23**

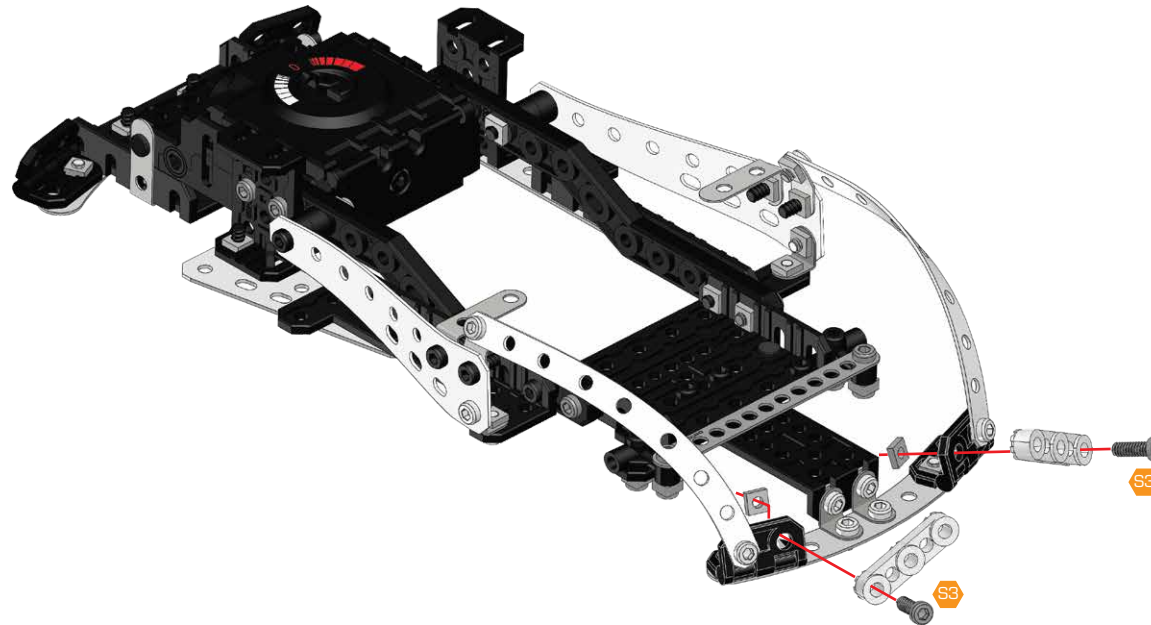
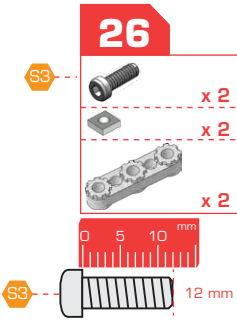
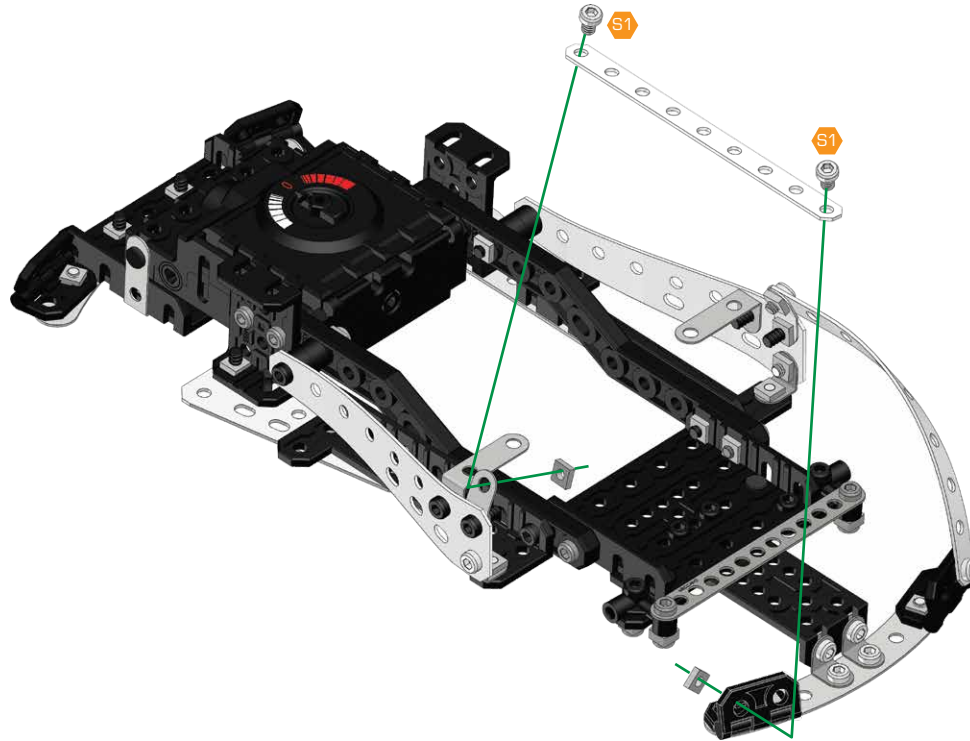
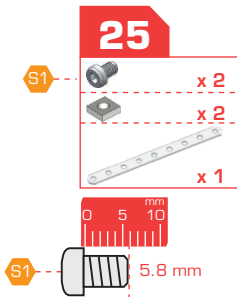
- S2 x 2
- x 2
- x 1
- x 1
- x 1
- 0 5 10 15 20 mm
- S2 9.5 mm



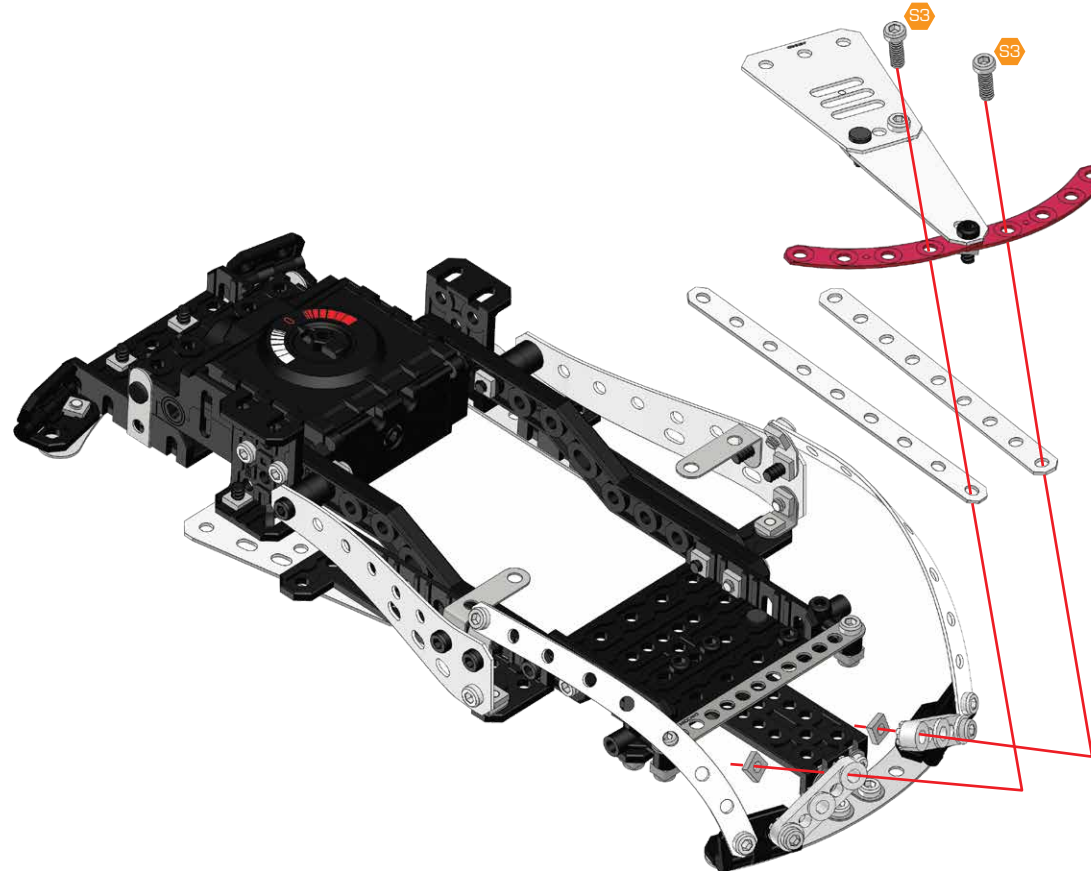
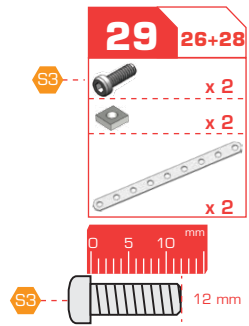
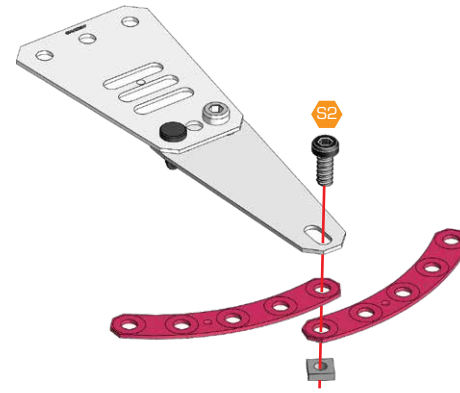
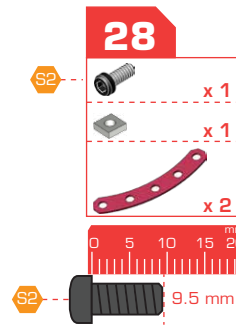
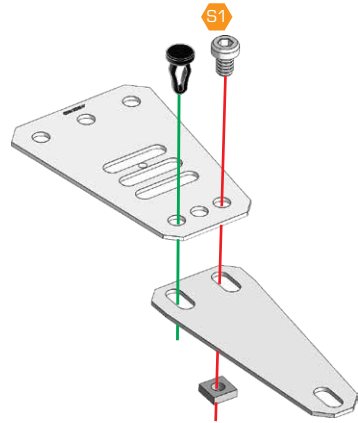
**24** 22+23

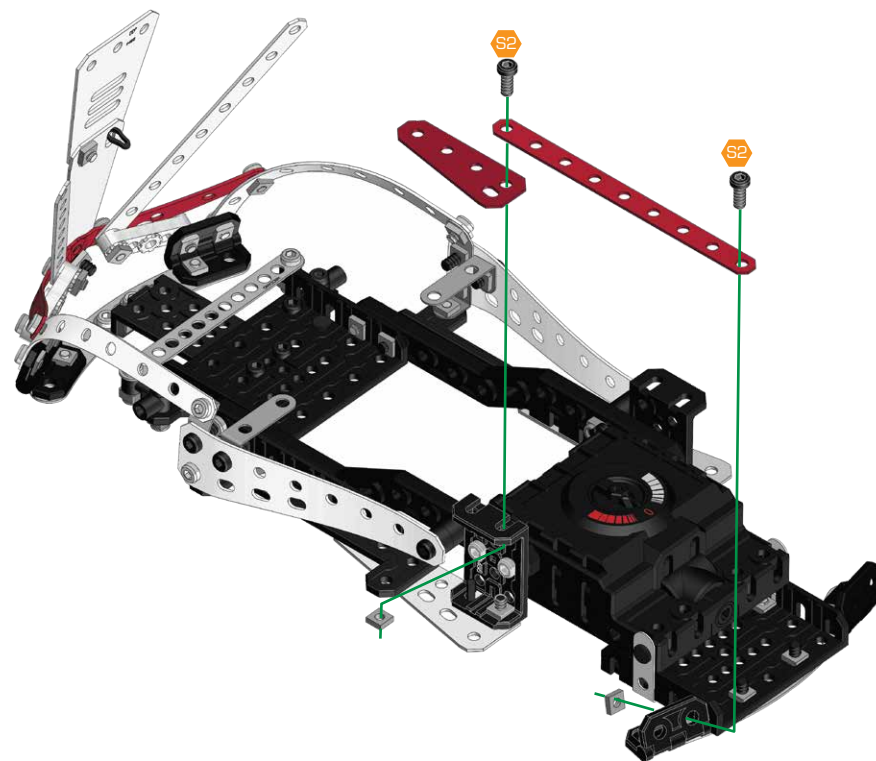
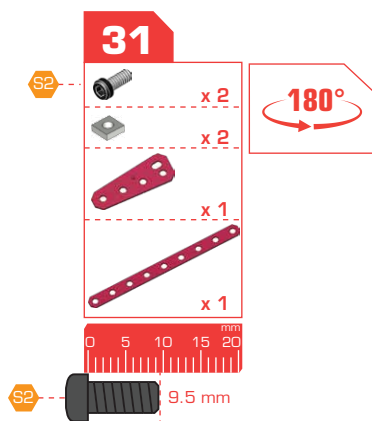
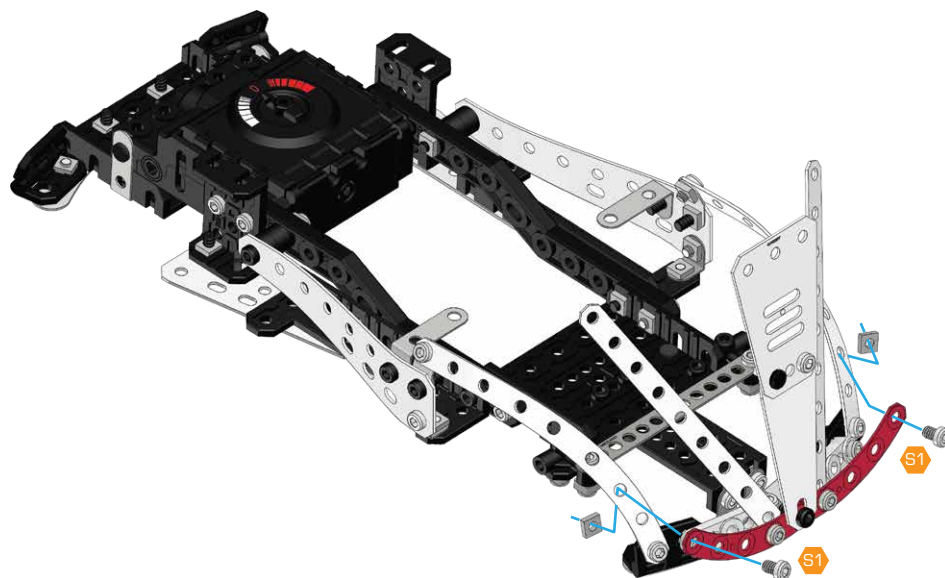
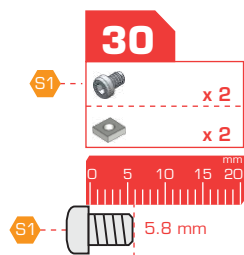
- S1 x 1
- B3 x 1
- x 2
- x 2
- 0 5 10 15 20 25 30 mm
- S1 5.8 mm
- B3 23 mm
- A238 1:1









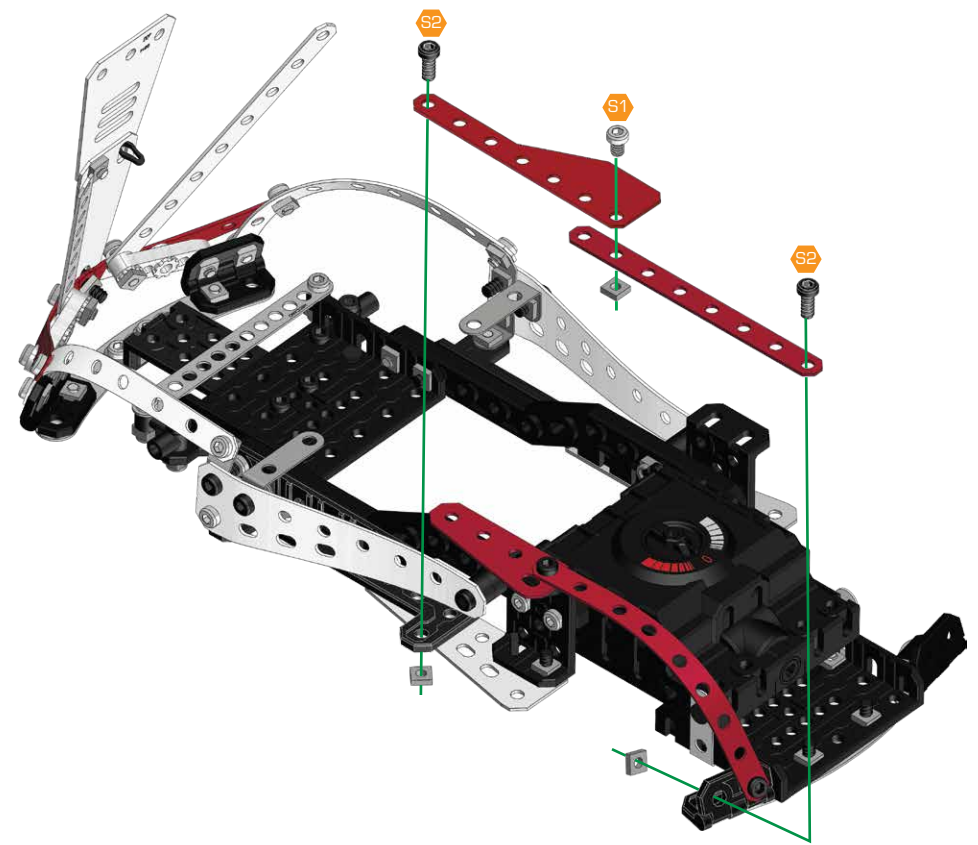


### 32

- S1 x 1
- S2 x 2
- x 3
- x 1
- x 1

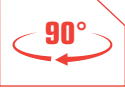


- S1 5.8 mm
- S2 9.5 mm

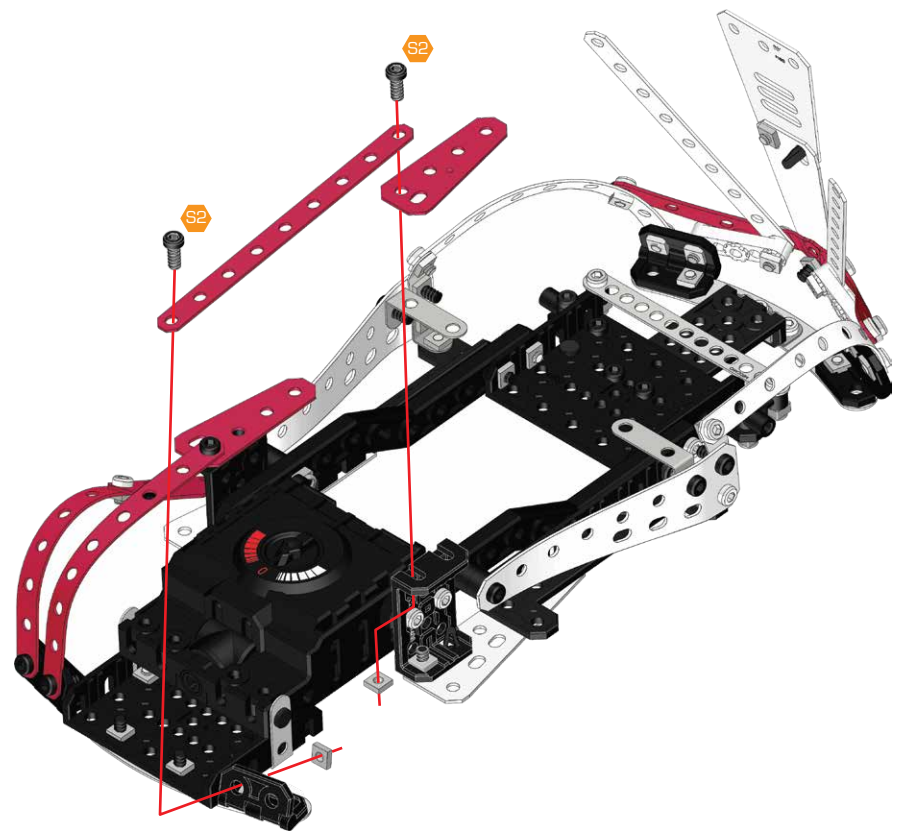


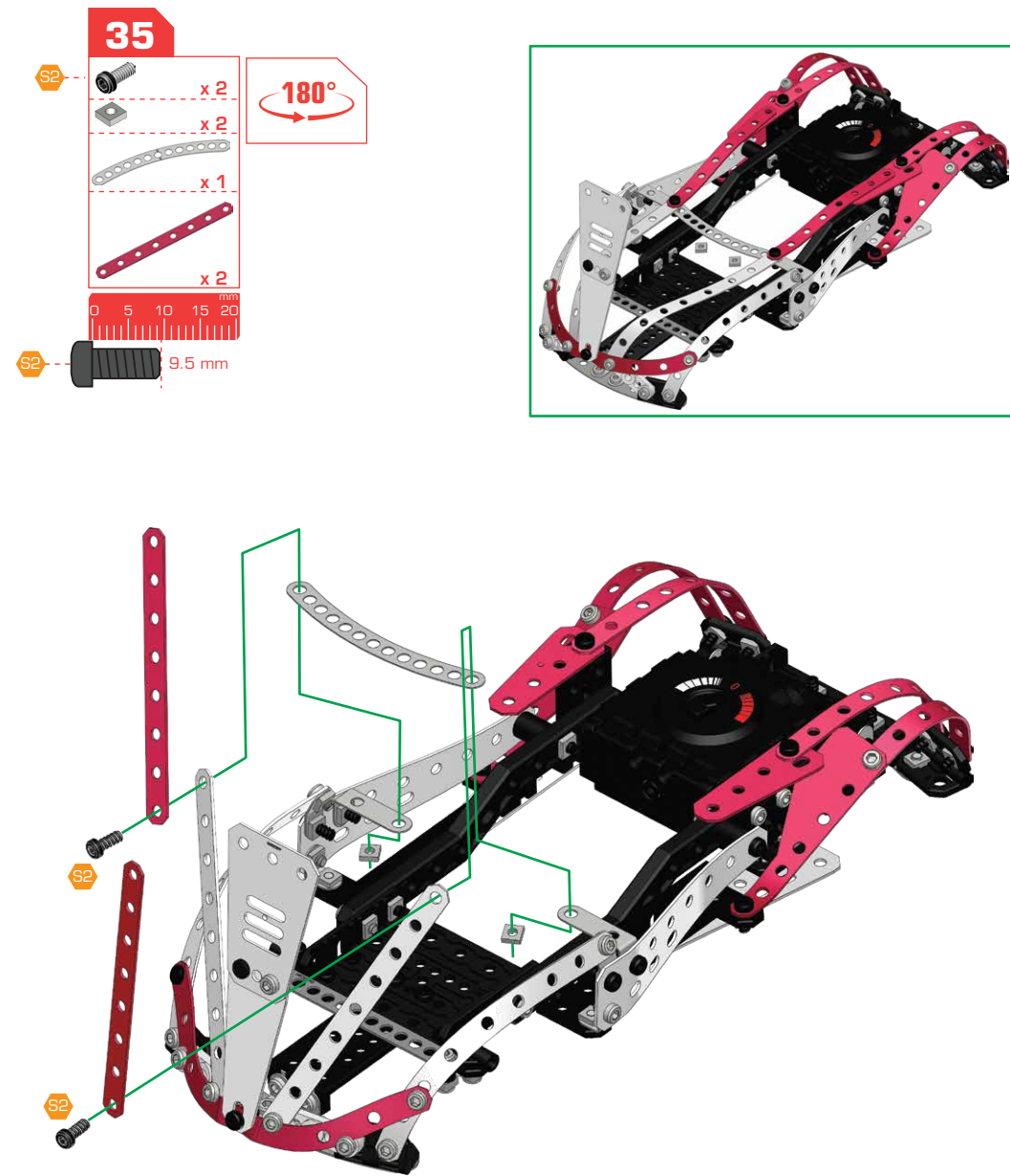
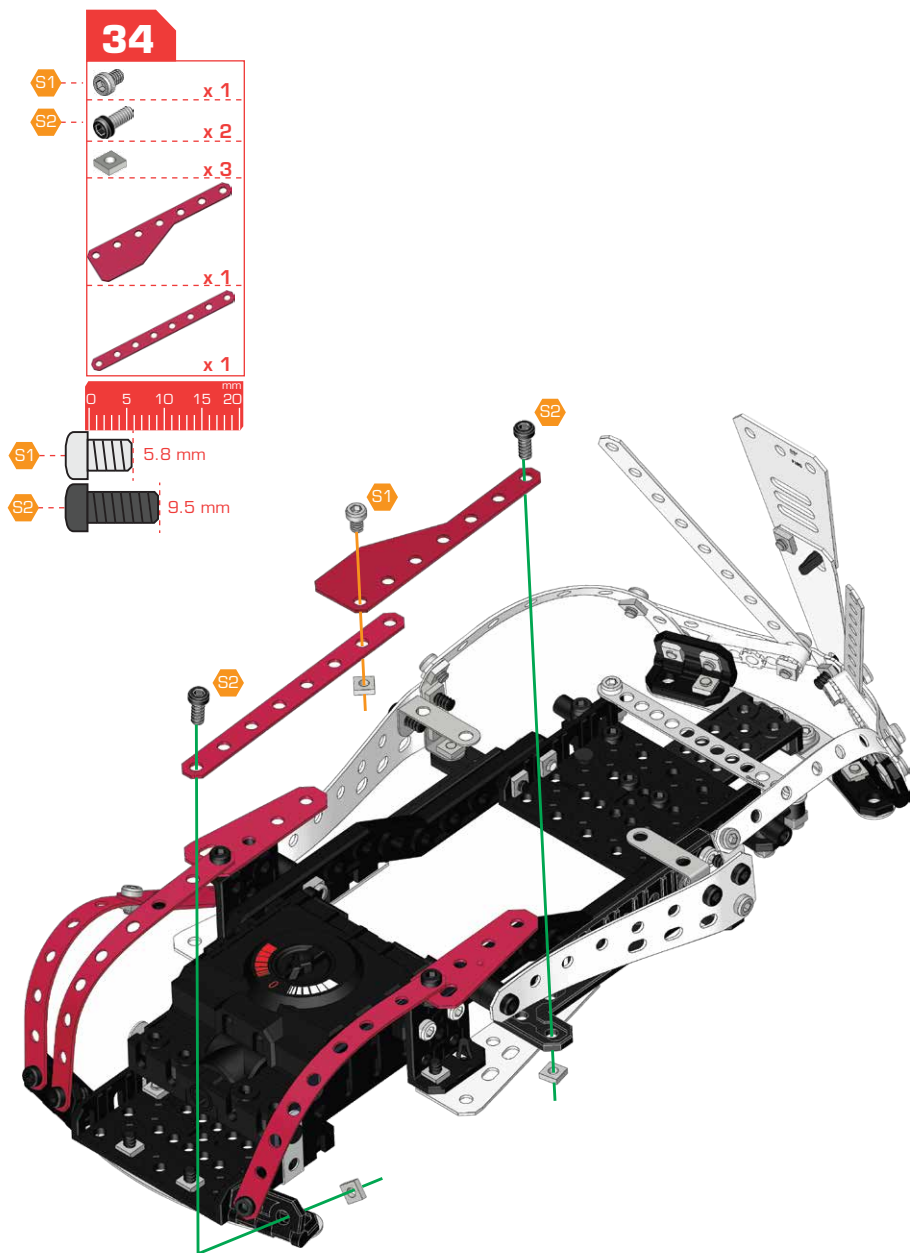
### 33

- S2 x 2
- x 2
- x 1
- x 1

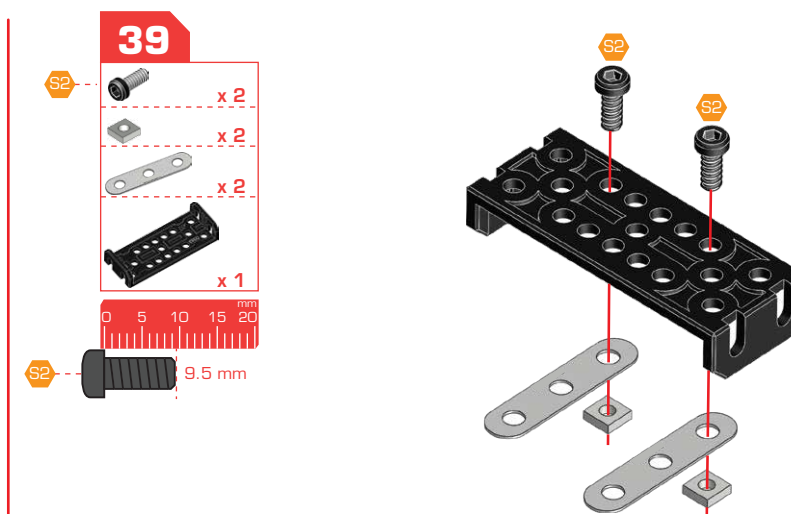
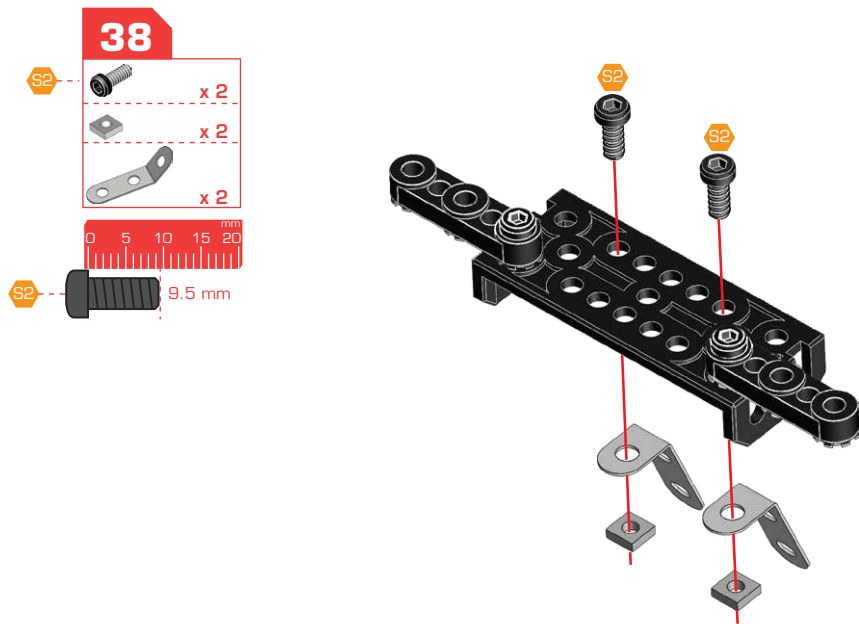
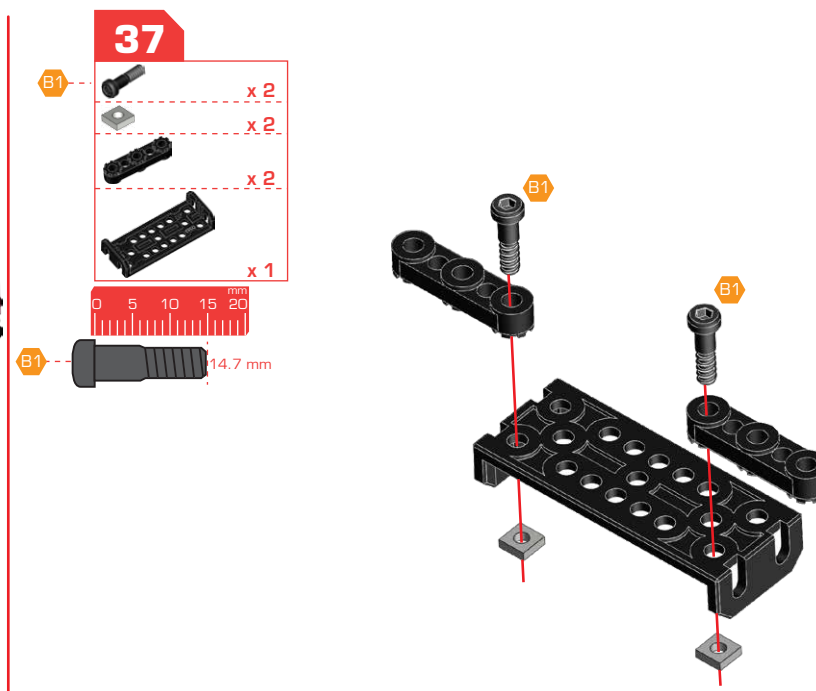
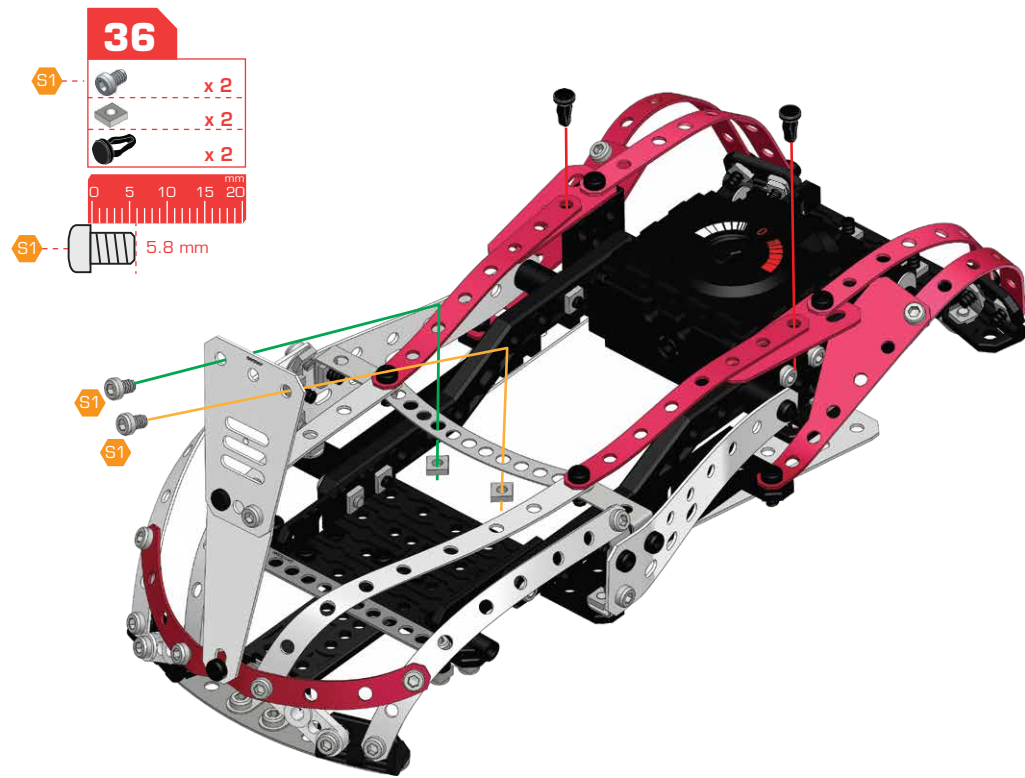


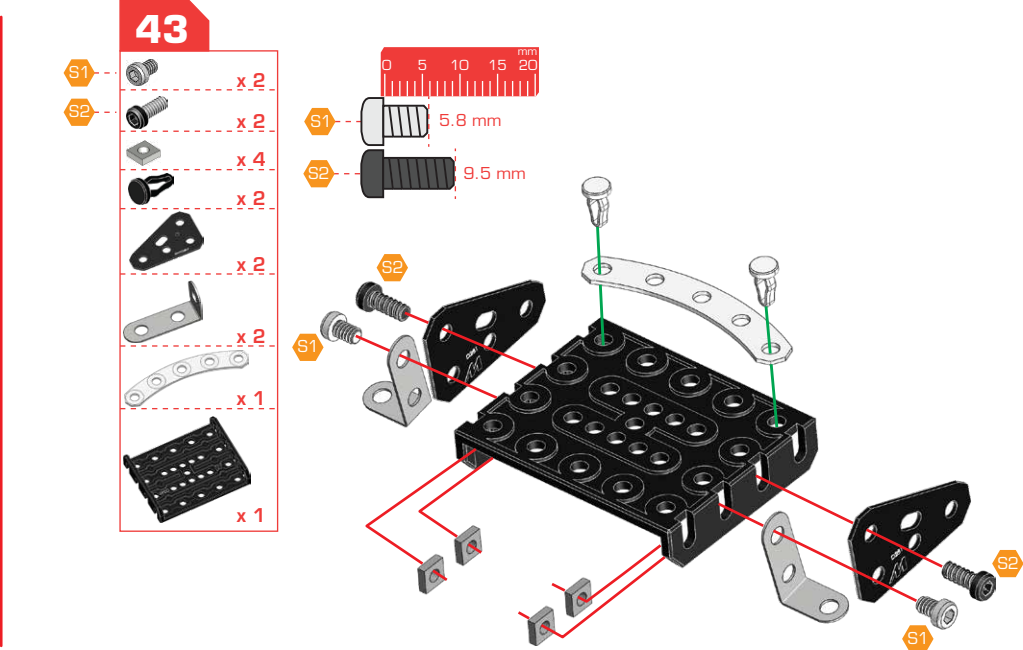
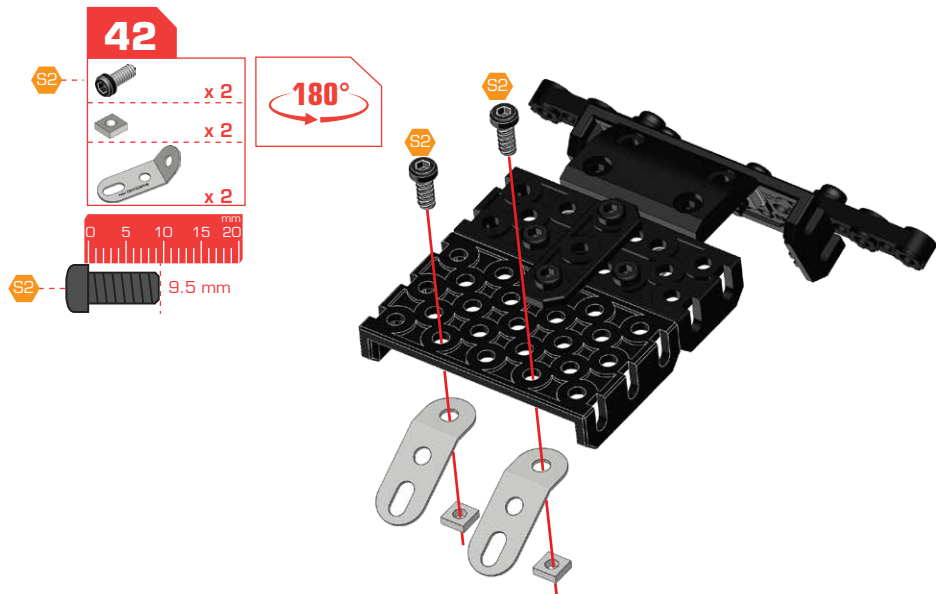
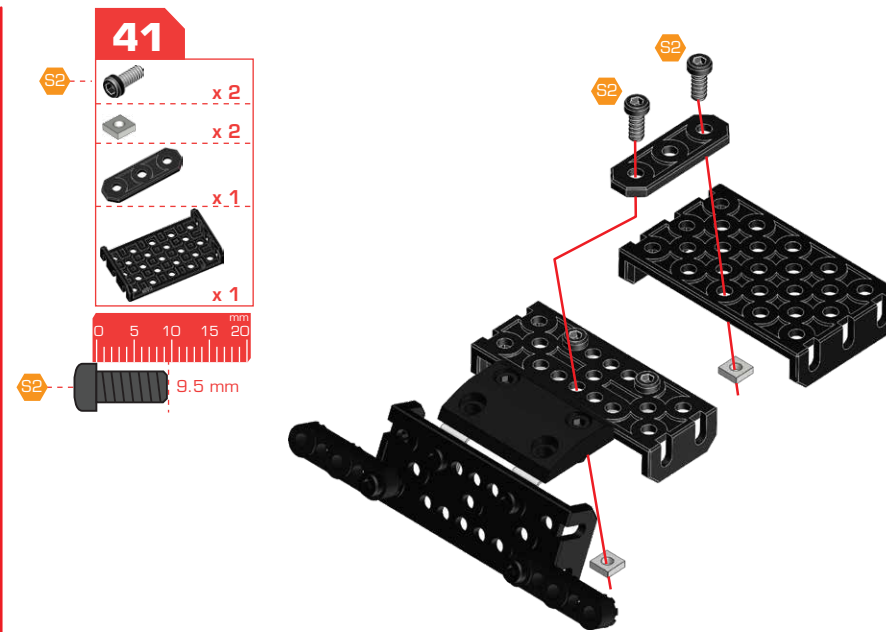
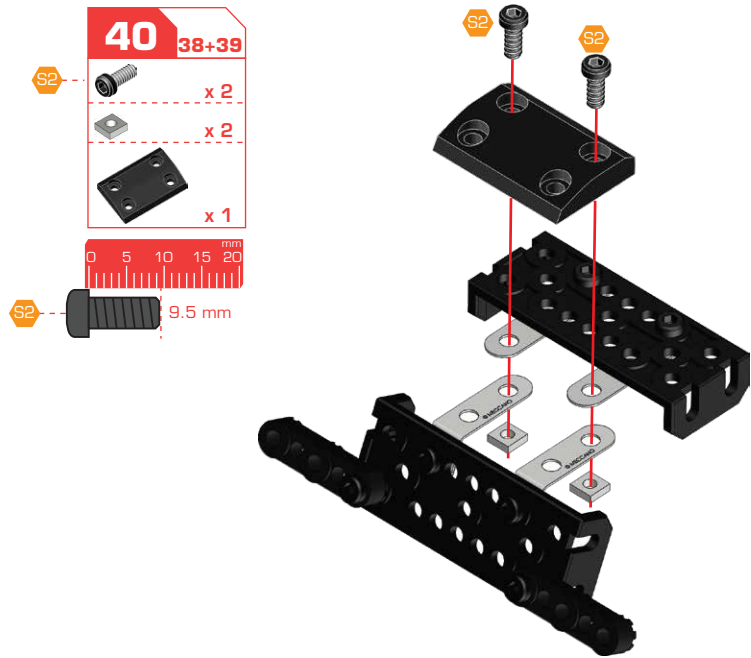
- S2 9.5 mm

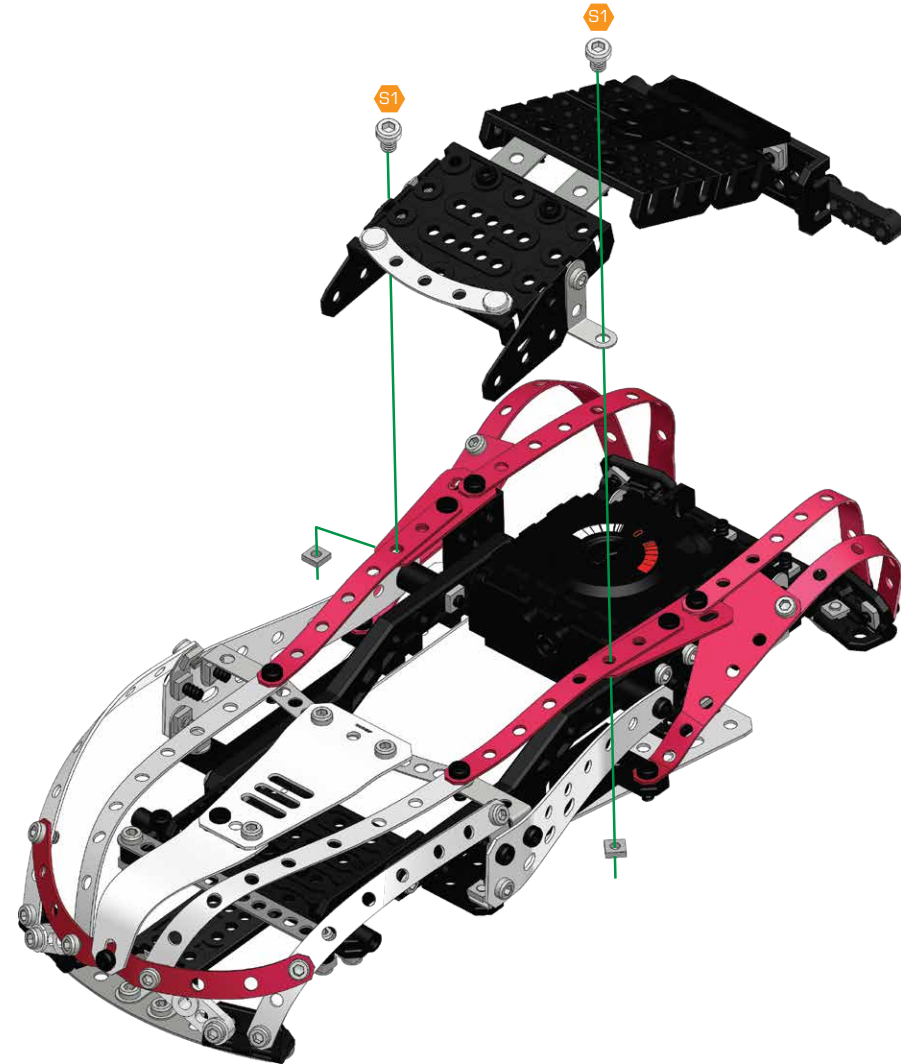
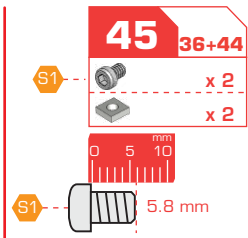
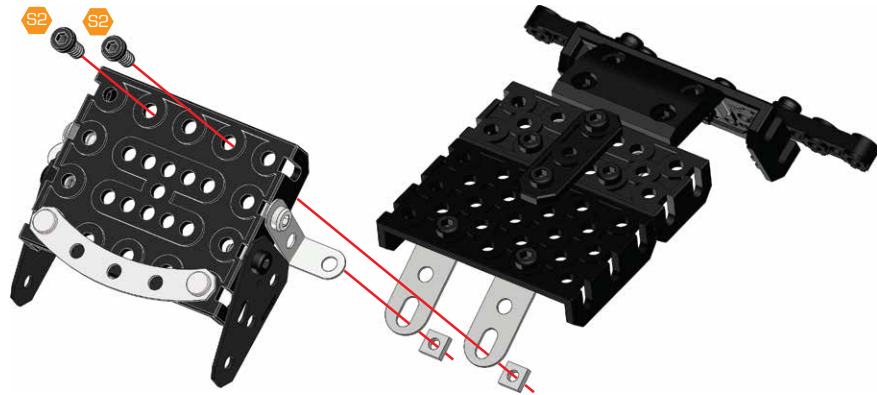
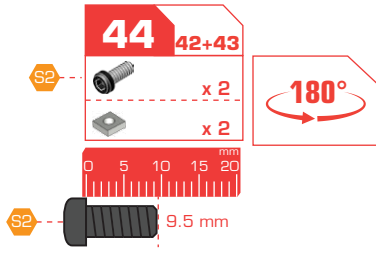


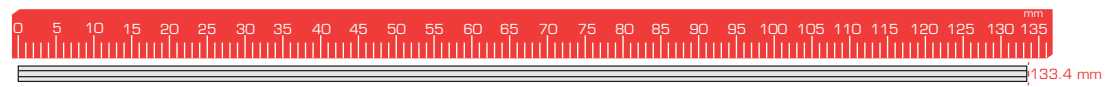
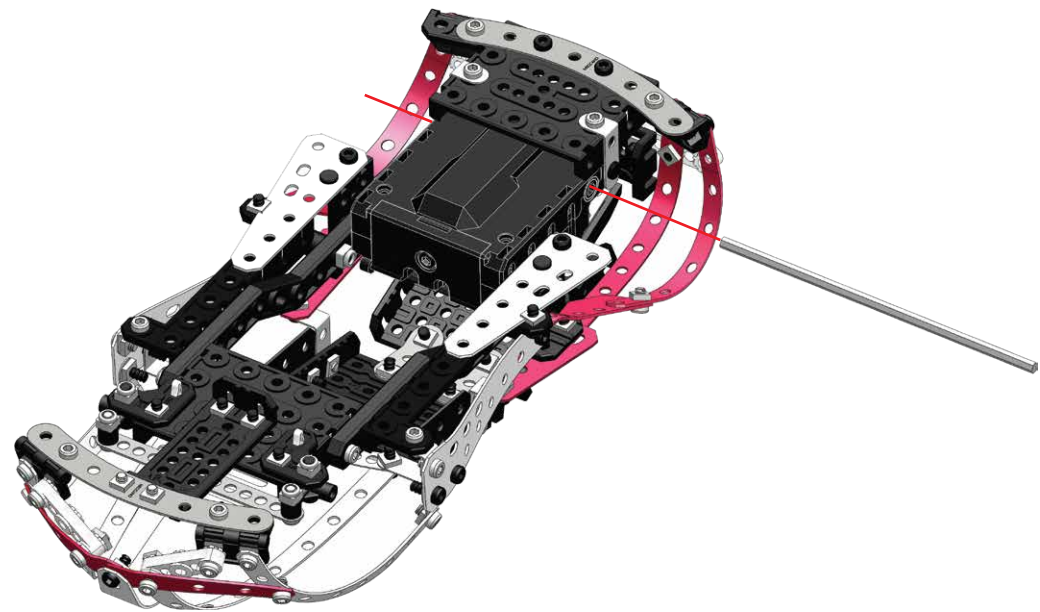
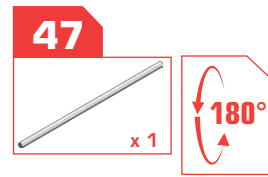
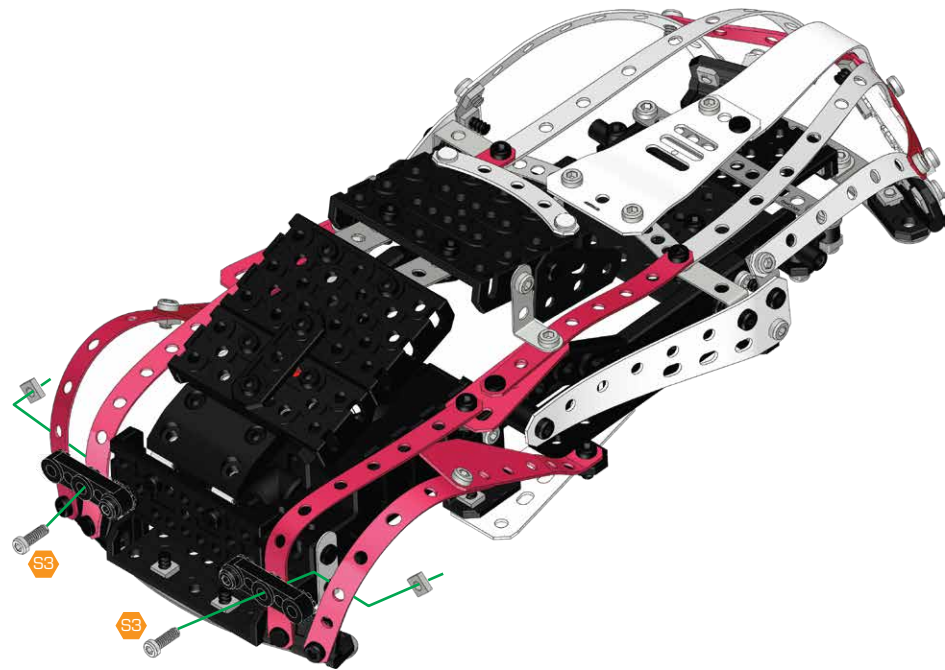
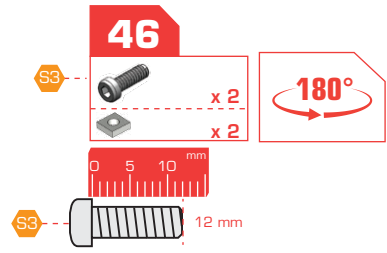














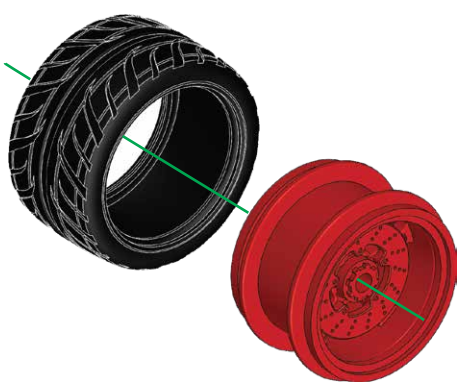
**48**



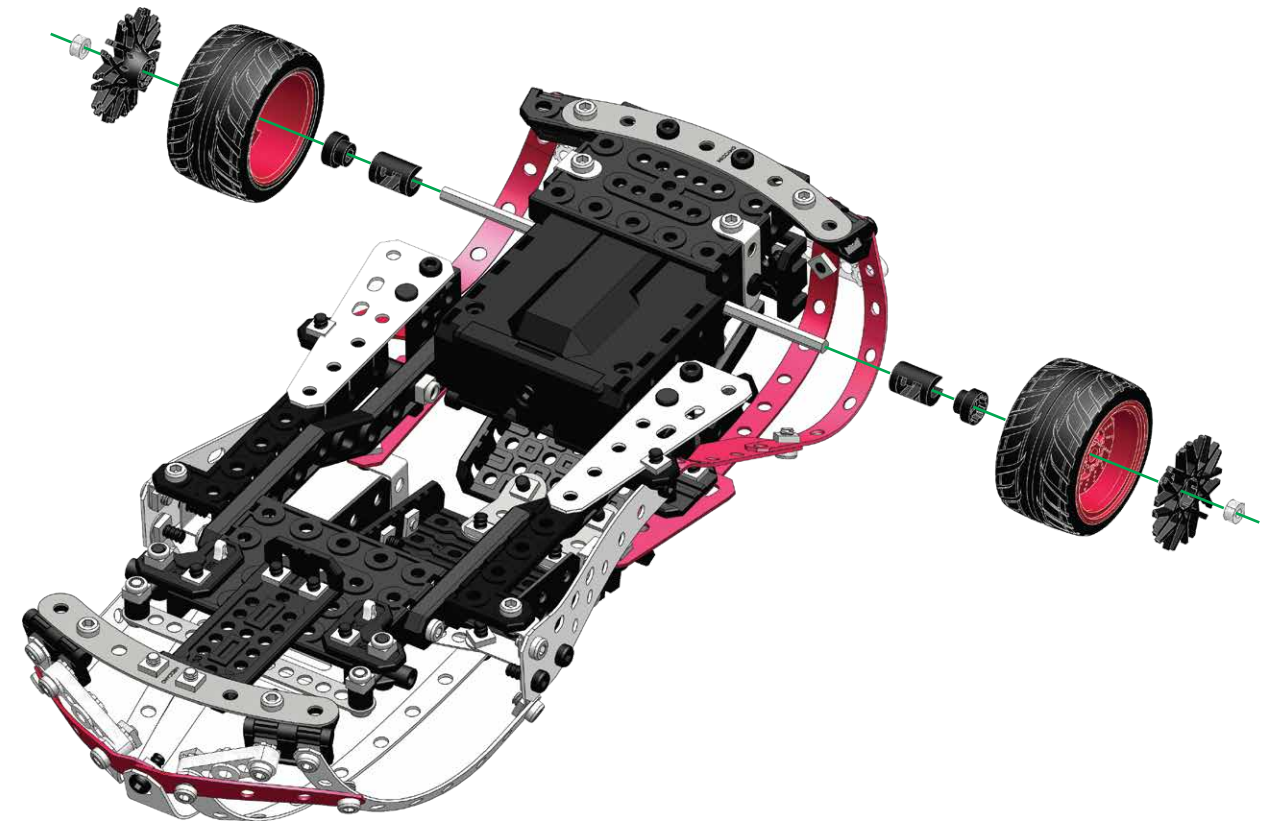
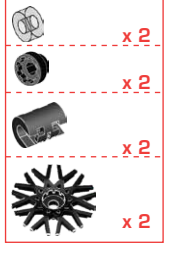
**x2**

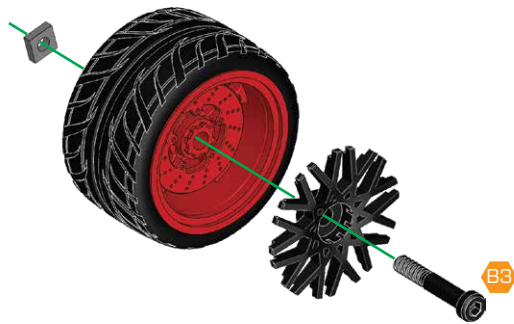
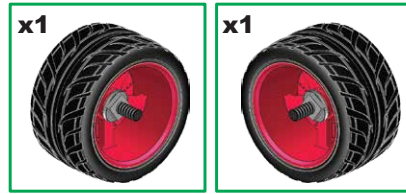
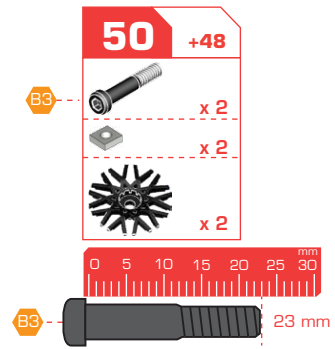


**x2**



**49** 47+48





**51** 49+50

