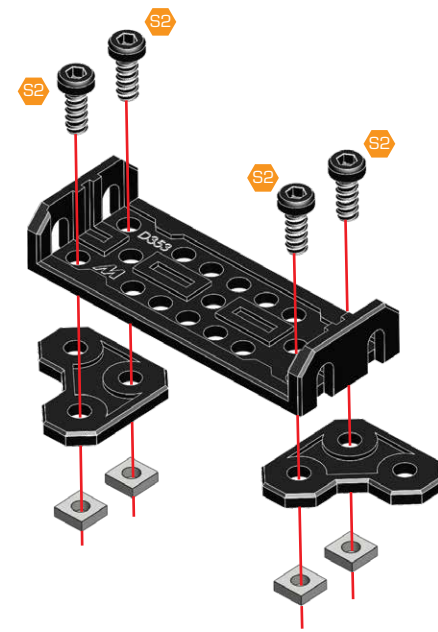


**1**

- x 4
- x 4
- x 2
- x 1

0 5 10 15 20 mm

9.5 mm

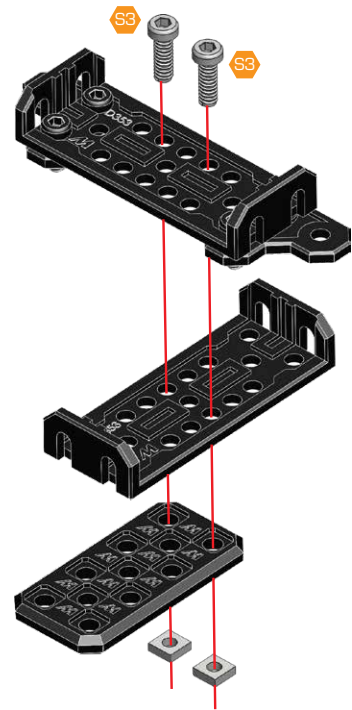


**2**

- x 2
- x 2
- x 1
- x 1

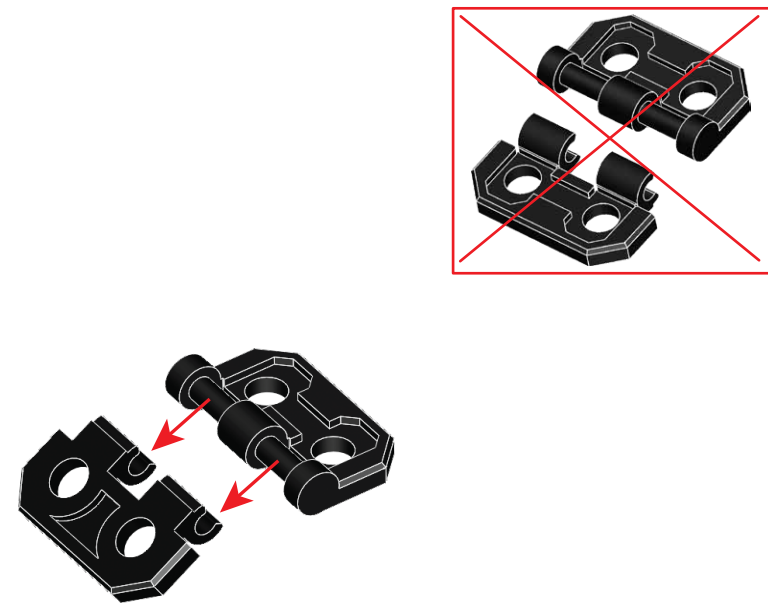
0 5 10 mm

12 mm

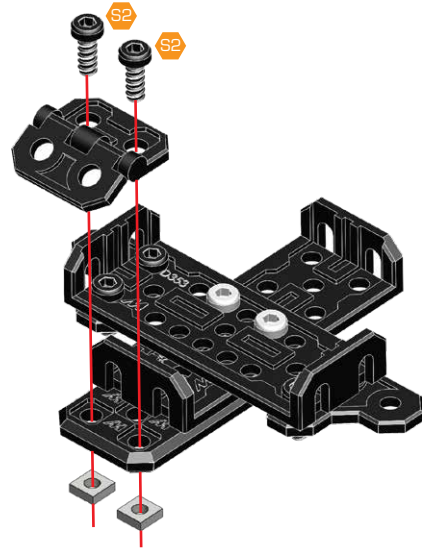


**3**

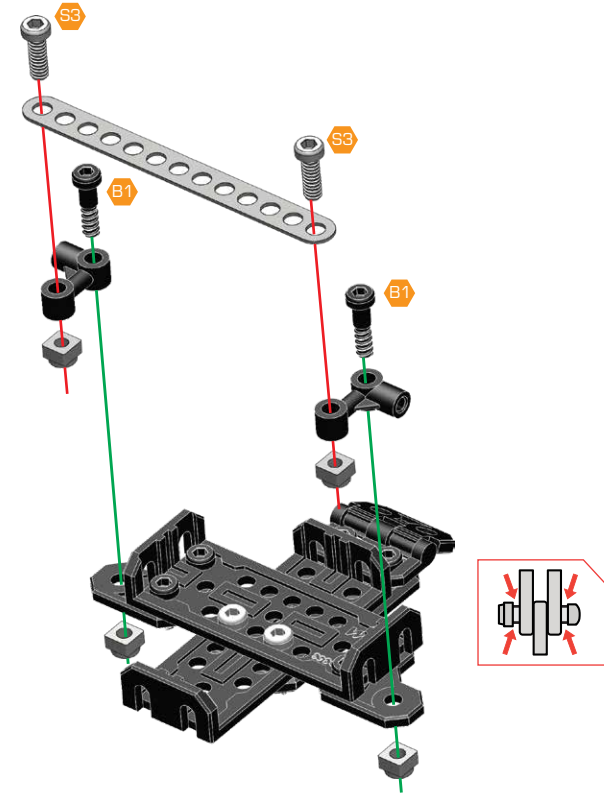
- x 1
- x 1



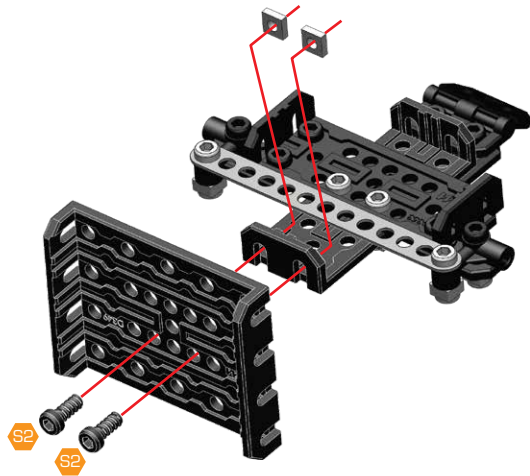
- 4** **2+3**
- S2 x 2
  - x 2
- 0 5 10 15 20 mm
- S2 9.5 mm



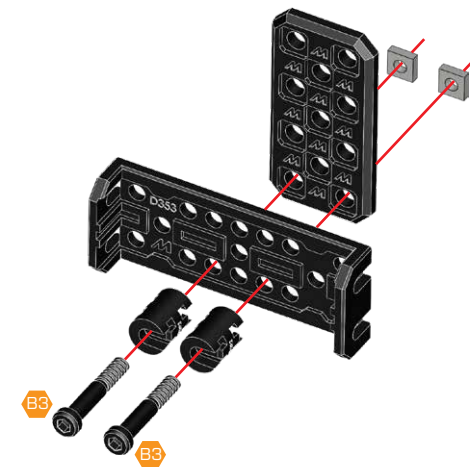
- 5**
- S3 x 2
  - B1 x 2
  - x 4
  - x 2
  - x 1
- 0 5 10 15 20 mm
- B1 14.7 mm
- S3 12 mm
- 180°

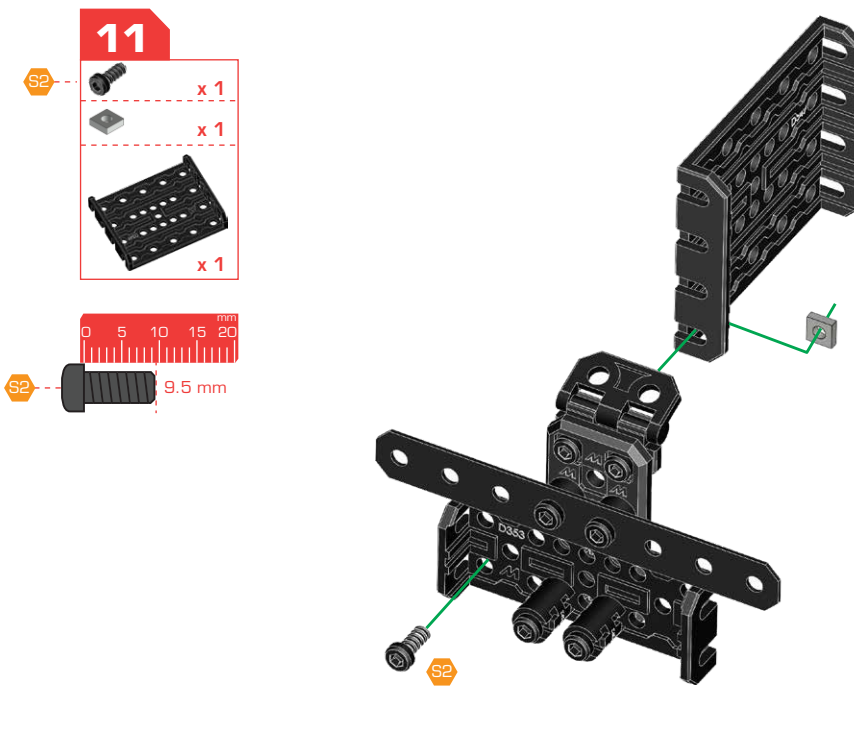
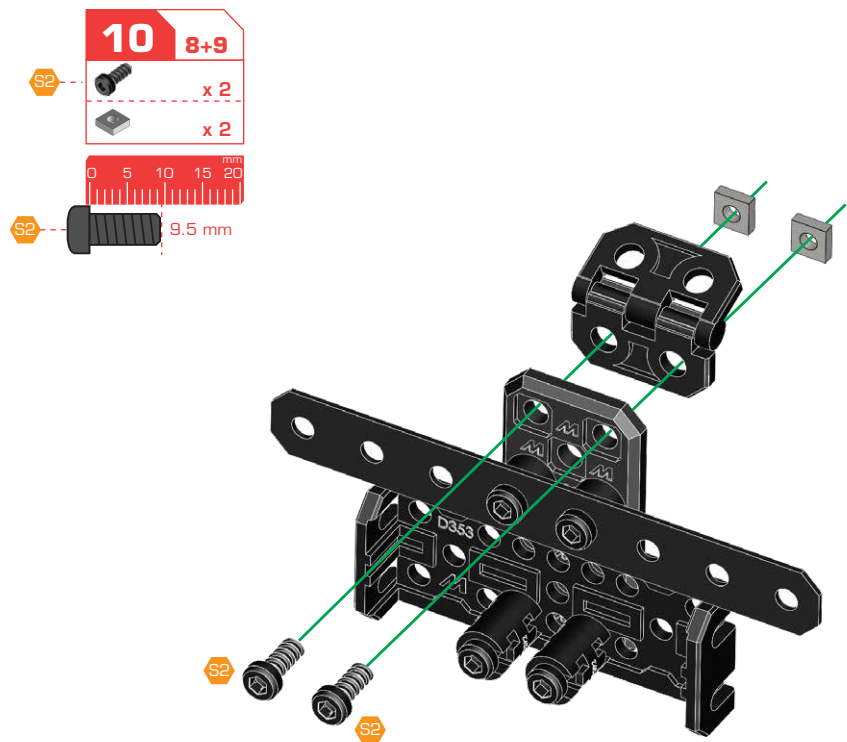
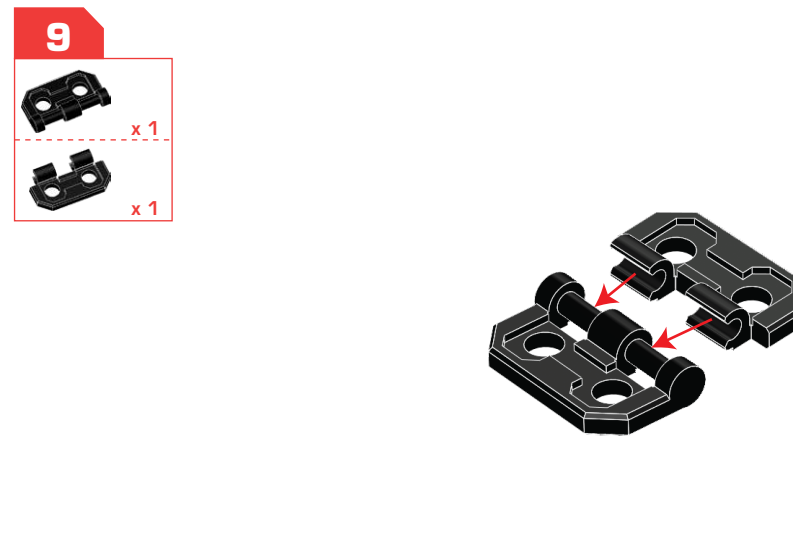
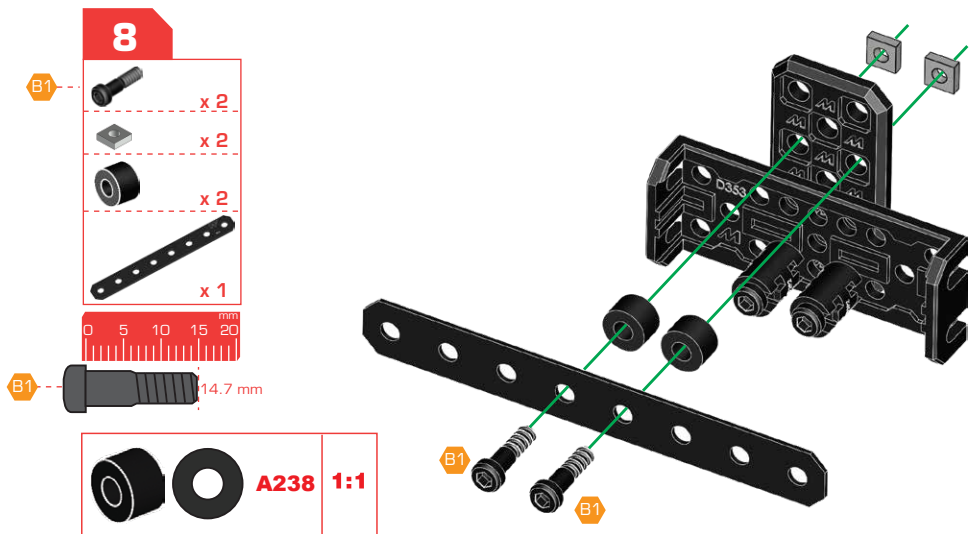


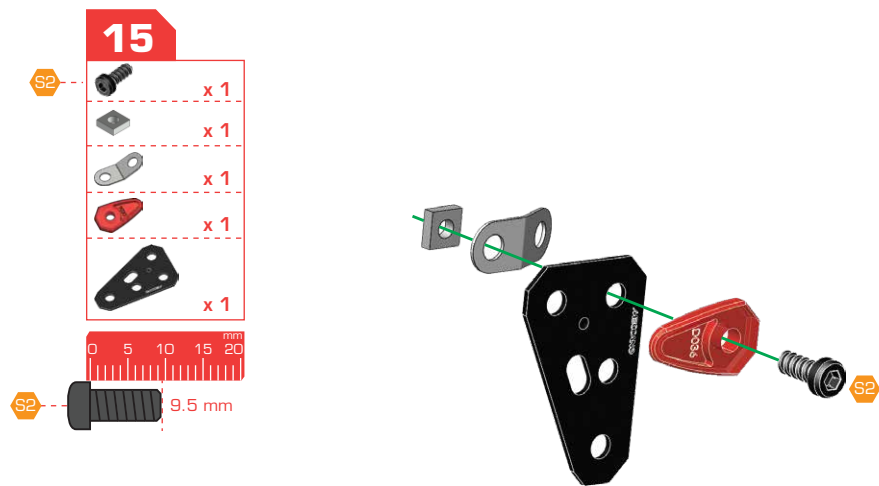
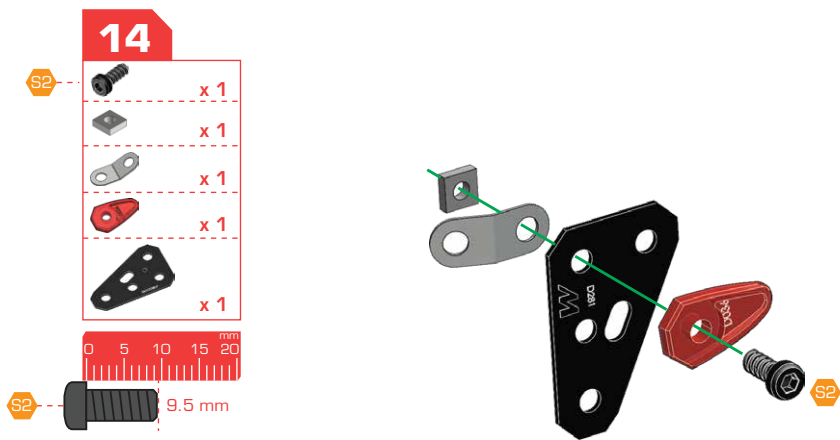
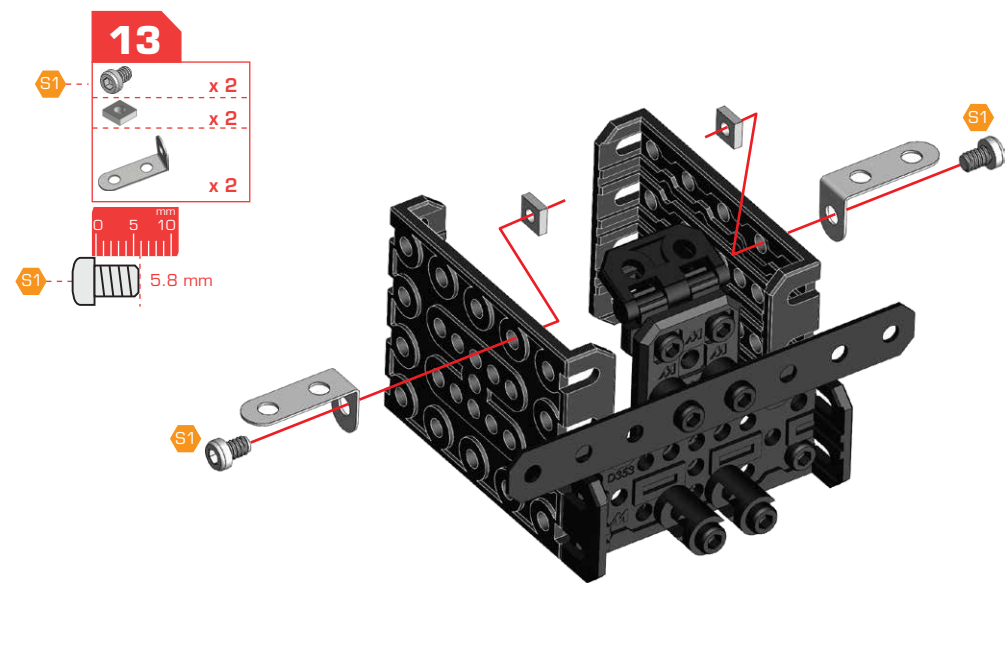
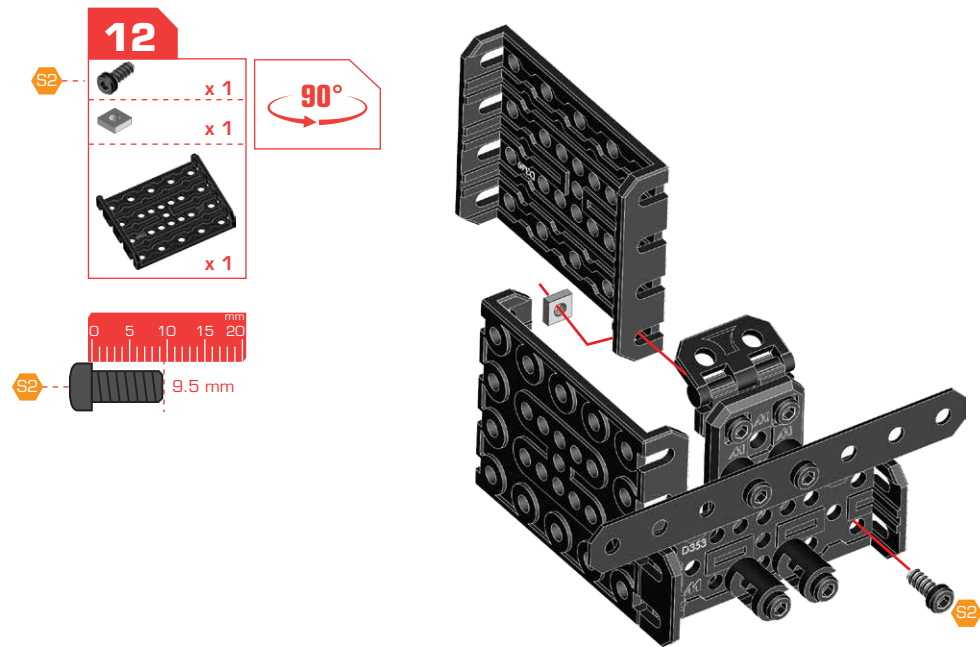
- 6**
- S2 x 2
  - x 2
  - x 1
- 0 5 10 15 20 mm
- S2 9.5 mm



- 7**
- B3 x 2
  - x 2
  - x 2
  - x 1
  - x 1
- 0 5 10 15 20 25 30 35 mm
- B3 23 mm







**16** 13+14+15

- S1 x 2
- x 2

5.8 mm

**17**

- S2 x 2
- x 2
- x 1

9.5 mm

90°

**18**

- S3 x 2
- x 2
- x 1

180°

12 mm

**19** 6+18

- S2 x 2
- S3 x 1
- x 3
- x 1

9.5 mm

12 mm

1

2

### 20

- S1 x 2
- x 2
- x 1
- x 1

0 5 10 mm

S1 5.8 mm

### 21

- S3 x 3
- x 3
- x 1

0 5 10 15 20 mm

S3 12 mm

180°

### 22

- S2 x 2
- x 2
- x 2

0 5 10 15 20 mm

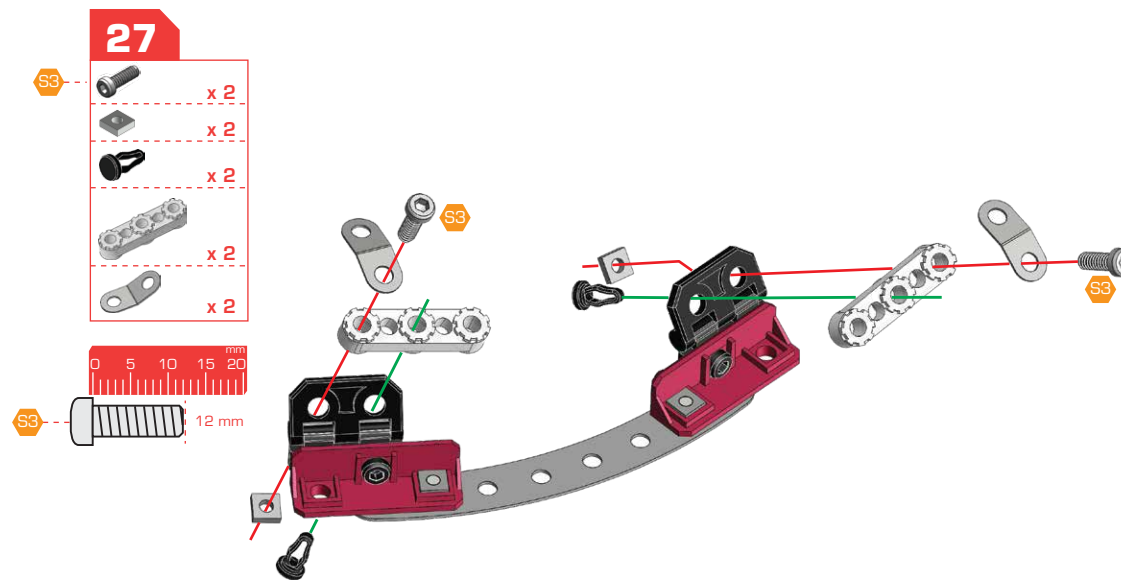
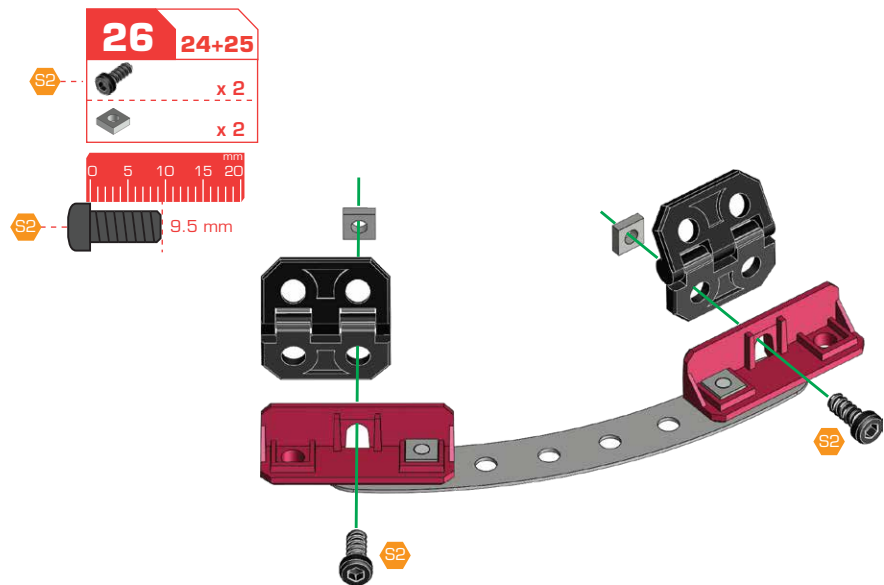
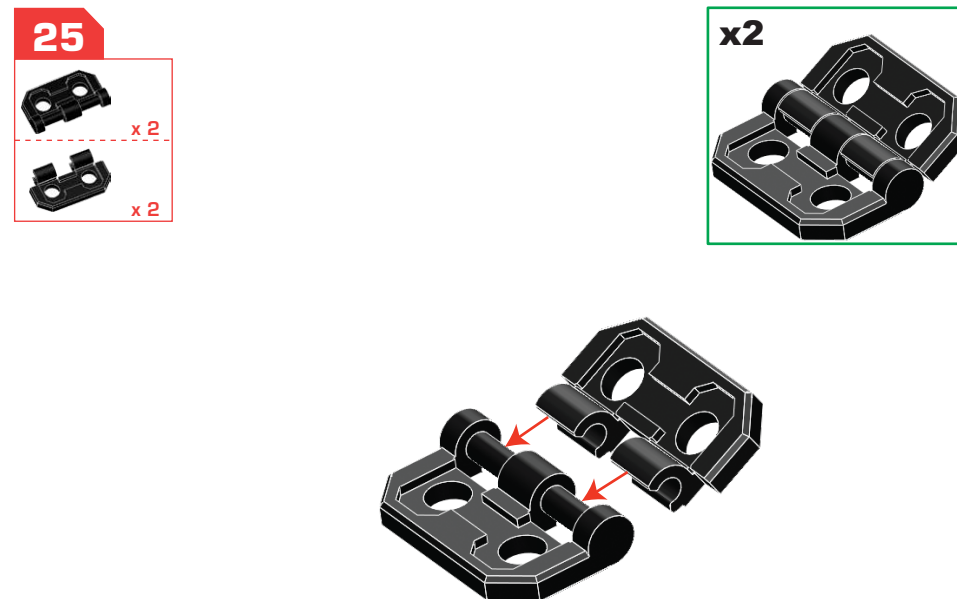
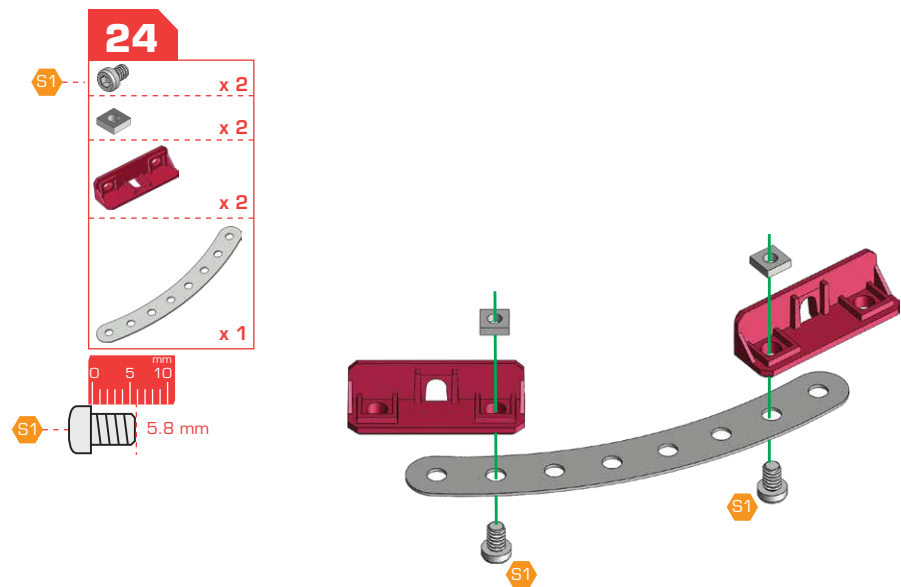
S2 9.5 mm

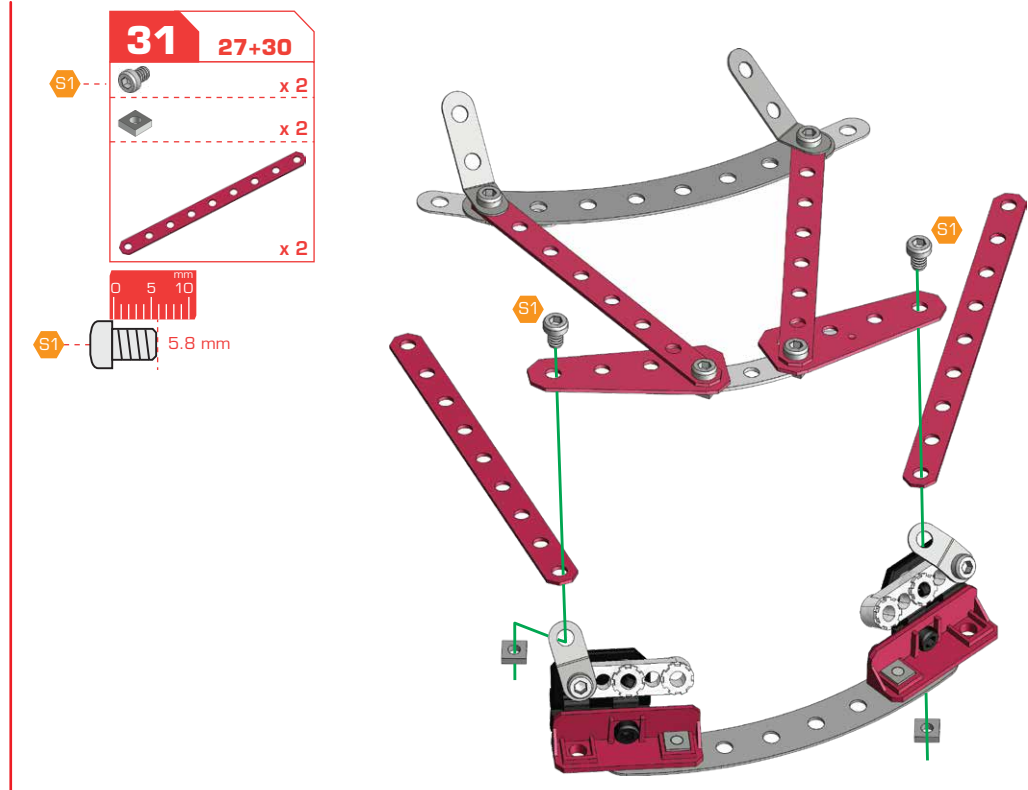
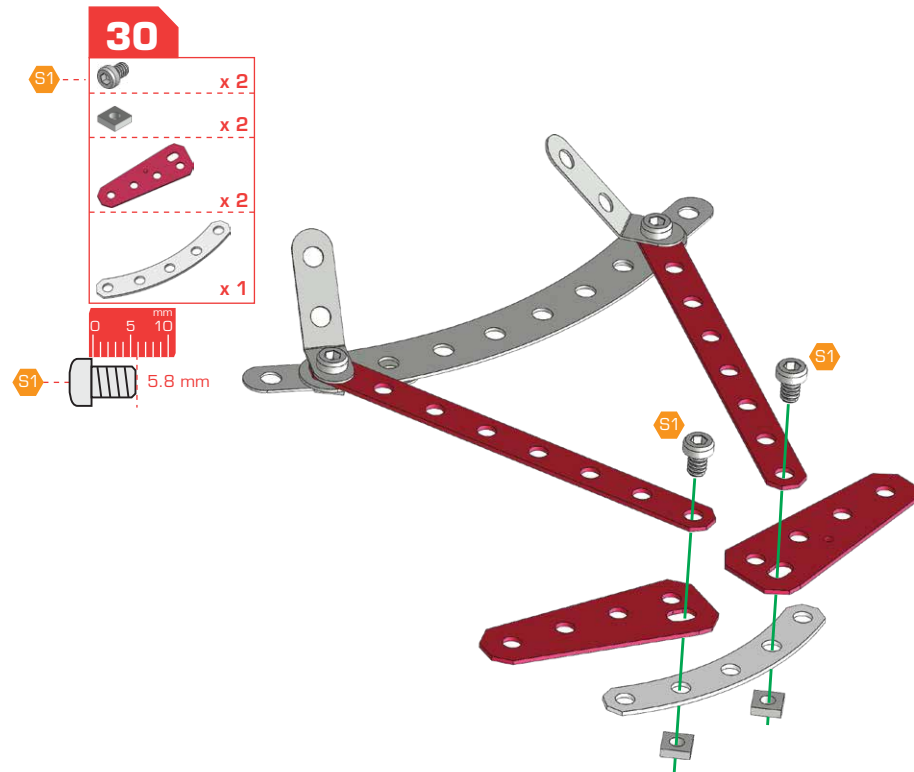
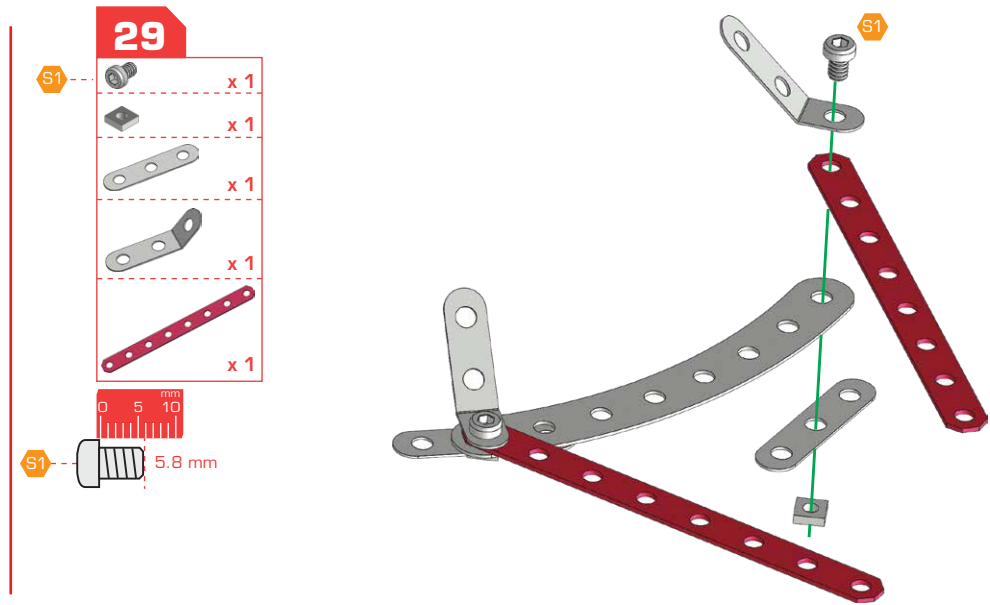
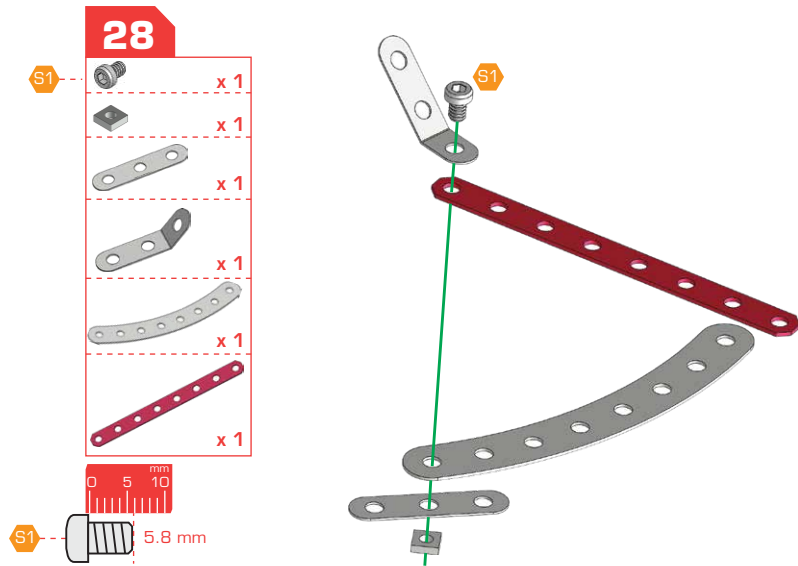
### 23

- S1 x 2
- x 2
- x 1
- x 1

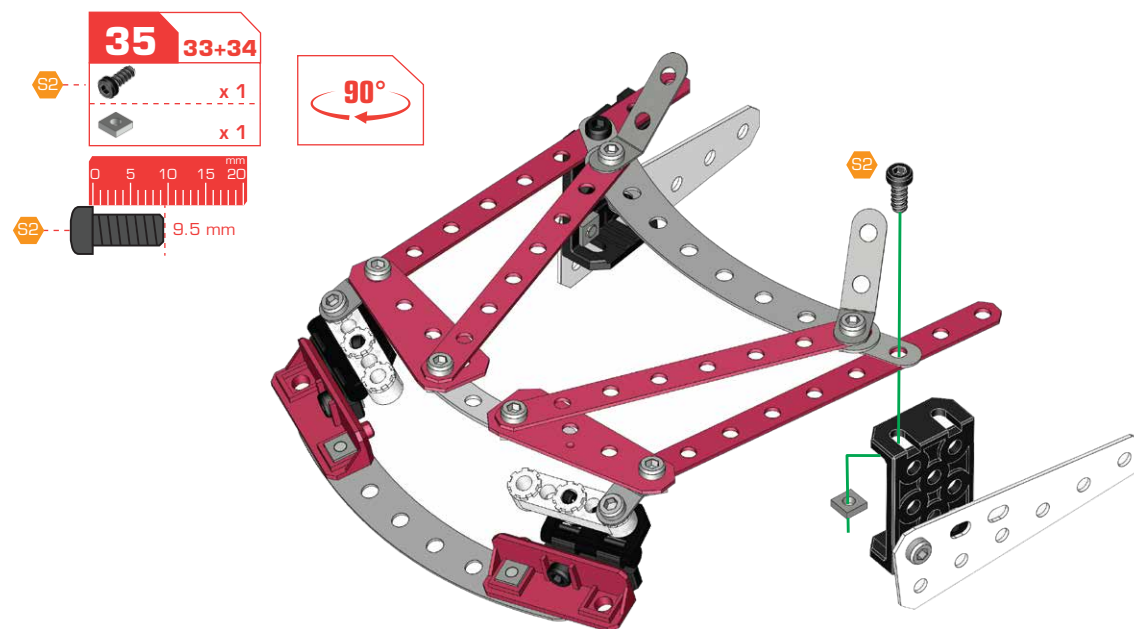
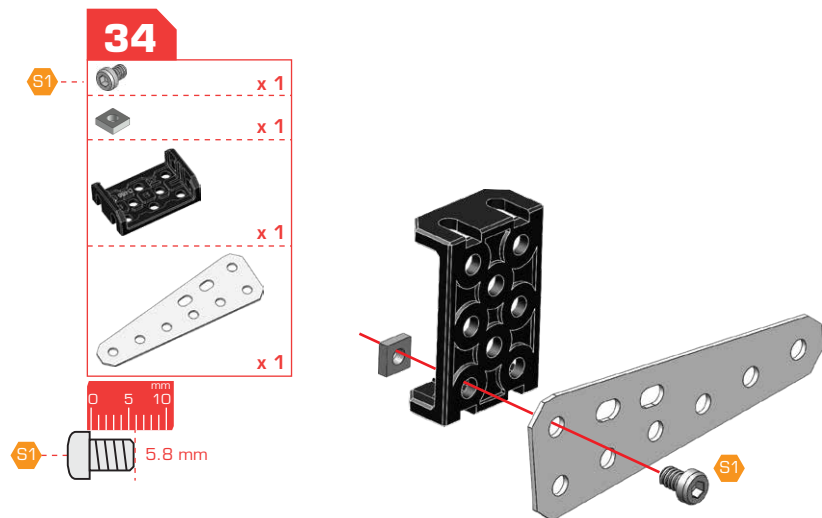
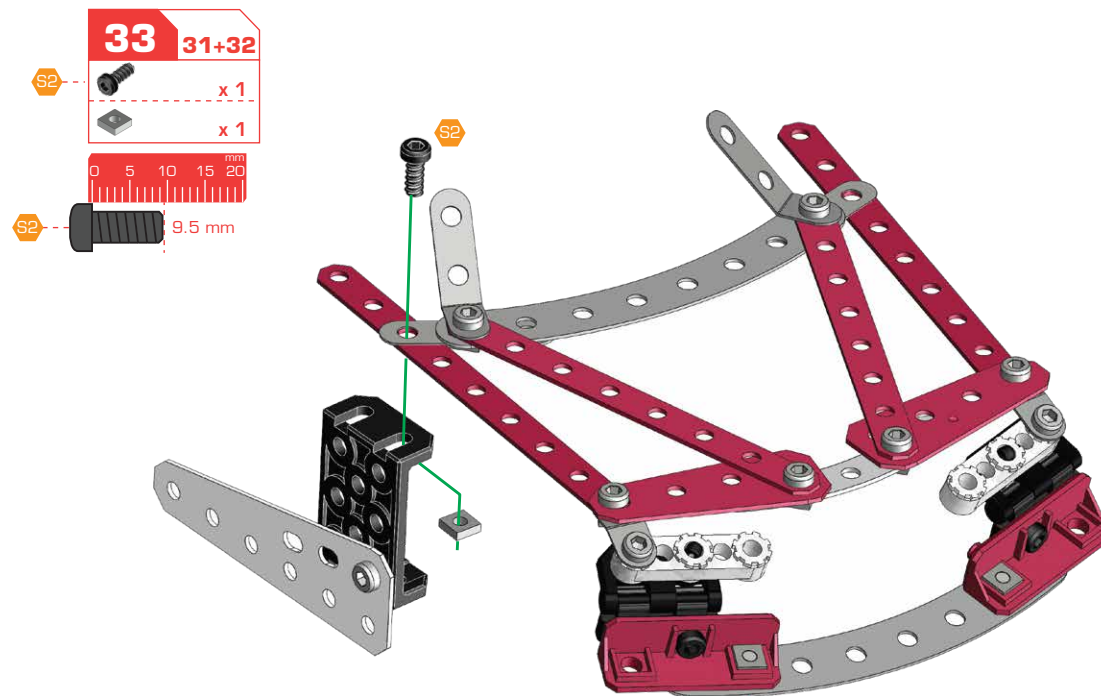
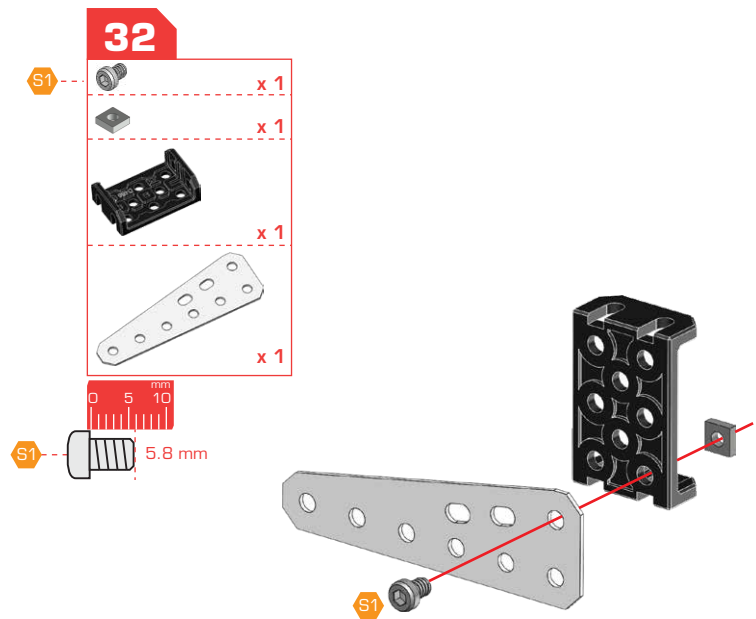
0 5 10 mm

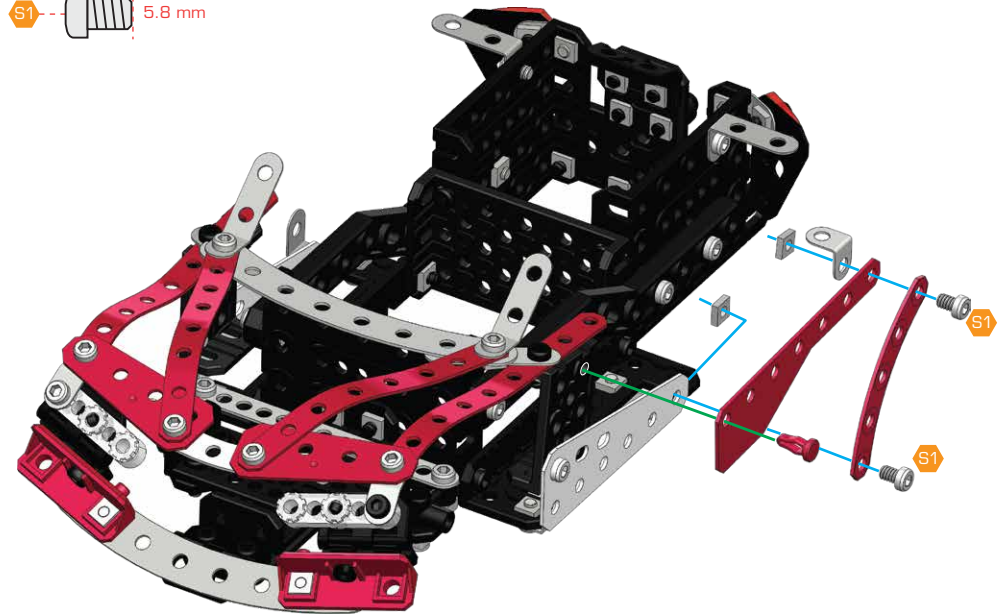
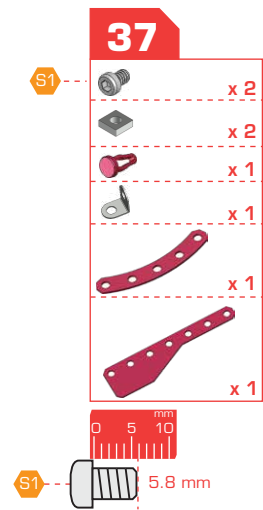
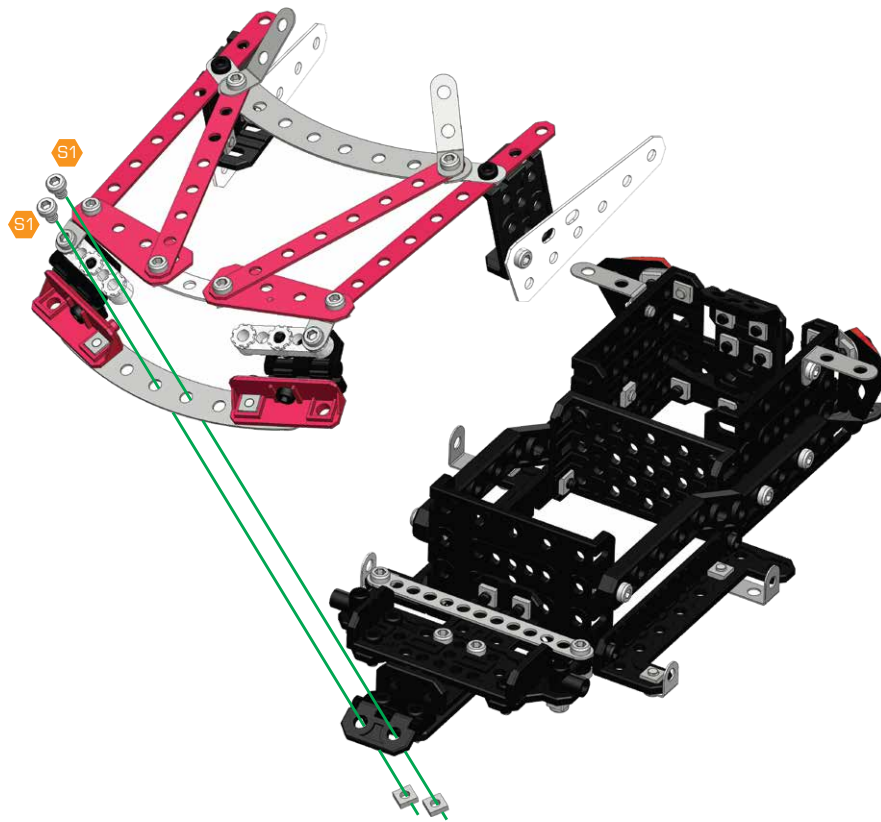
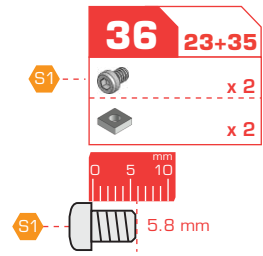
S1 5.8 mm














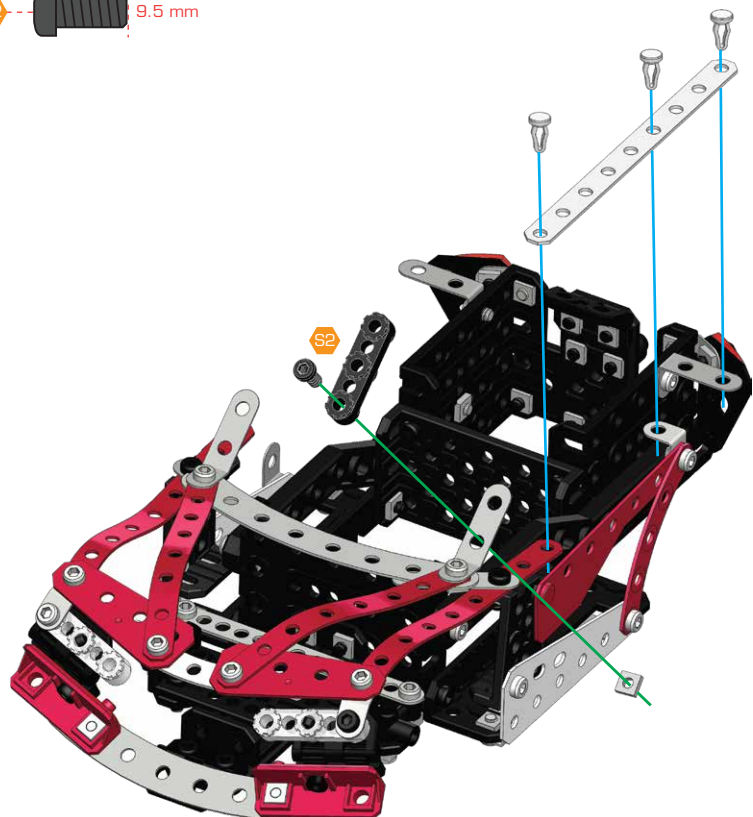


### 38







-  x 1
-  x 1
-  x 3
-  x 1
-  x 1

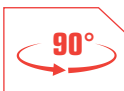


 9.5 mm

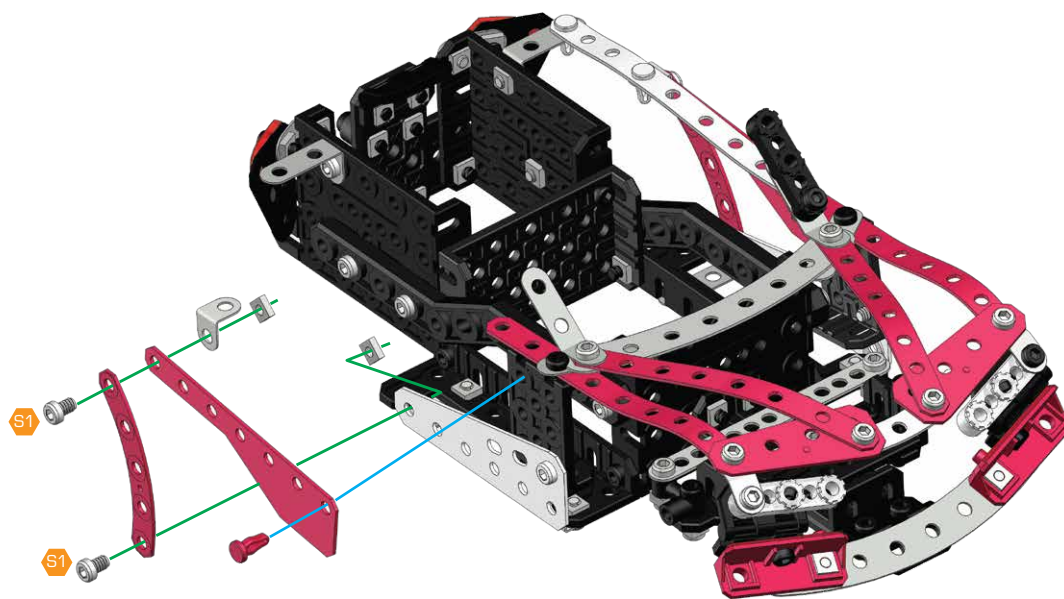


### 39

-  x 2
-  x 2
-  x 1
-  x 1
-  x 1
-  x 1



 5.8 mm



### 40

- x 1
- x 1
- x 3
- x 1
- x 1

0 5 10 15 20 mm

9.5 mm

### 41

- x 2
- x 2
- x 1
- x 1
- x 1

0 5 10 15 20 mm

12 mm

### 42

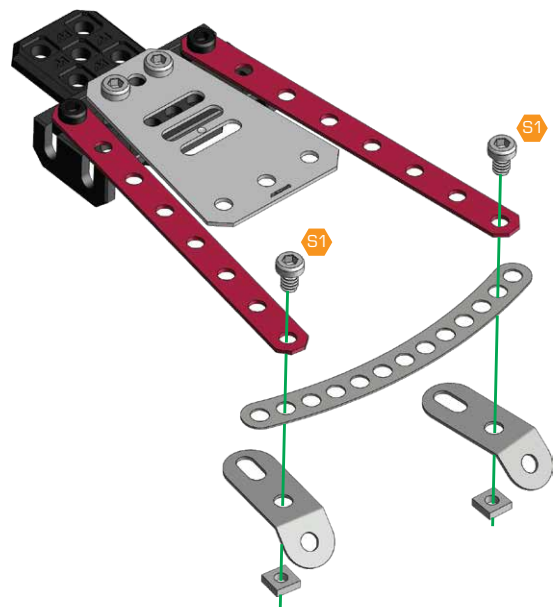
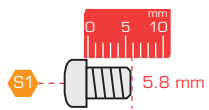
- x 2
- x 2
- x 2

0 5 10 15 20 mm

9.5 mm

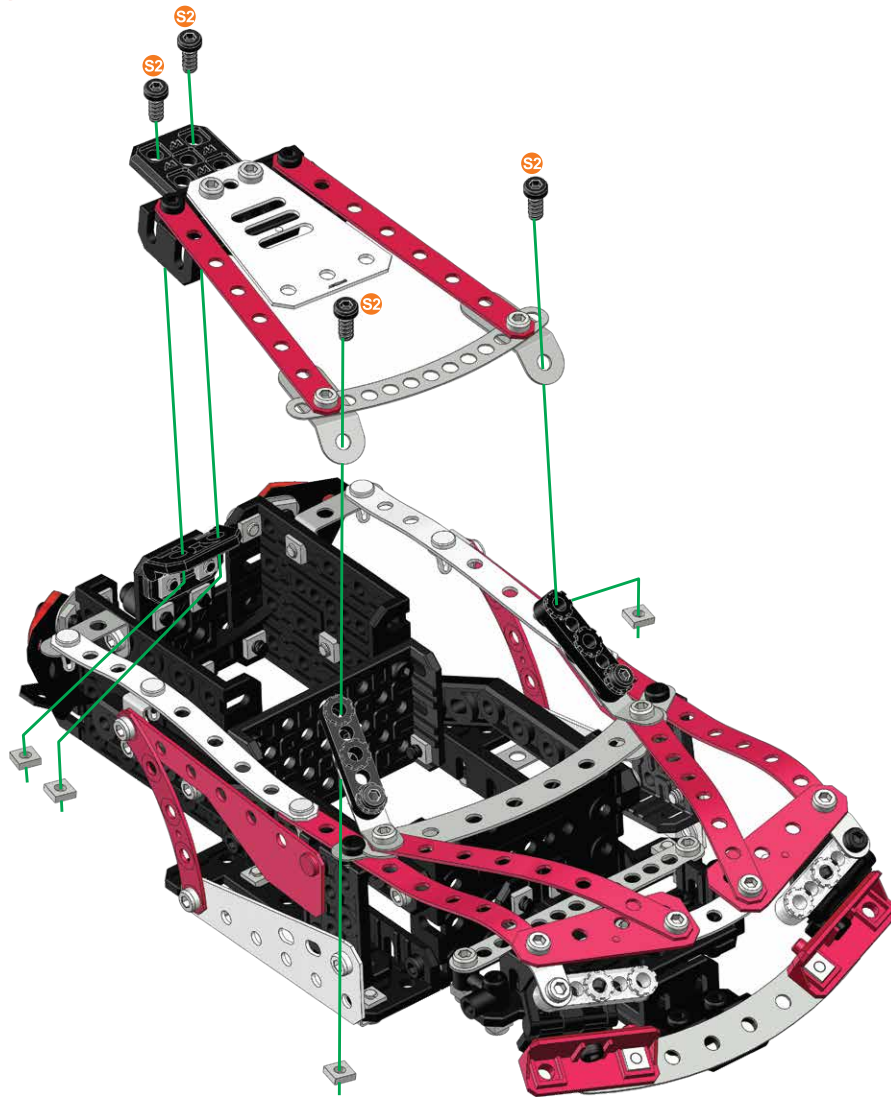
43

- S1 x 2
- x 2
- x 2
- x 1

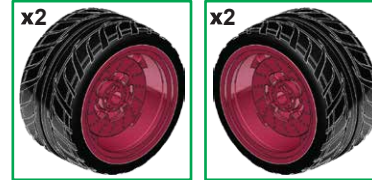
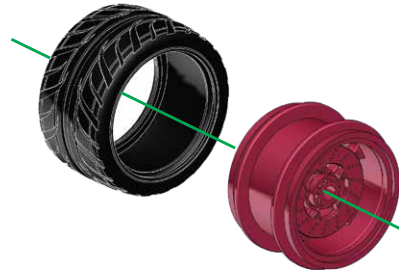


44 40+43

- S2 x 4
- x 4



45



46 44+45

