

8

S1	x 2
	x 2
	x 4
	x 1
	x 1
	x 2

0 5 10 15 20 25 30 mm

S5 25.4 mm

S1 5.8 mm

9

S1	x 2
	x 2
	x 2

0 5 10 15 20 mm

S1 5.8 mm

10

S1	x 2
S3	x 2
	x 2
	x 4
	x 2
	x 2
	x 2
	x 2

0 5 10 15 20 mm

S1 5.8 mm

S3 12 mm

11

S1	x 4
S2	x 2
	x 6
	x 2
	x 1
	x 2

0 5 10 15 20 mm

S1 5.8 mm

S2 9.5 mm

12

- S1 x 4
- S2 x 2
- x 2
- x 1
- x 1
- x 1
- x 1

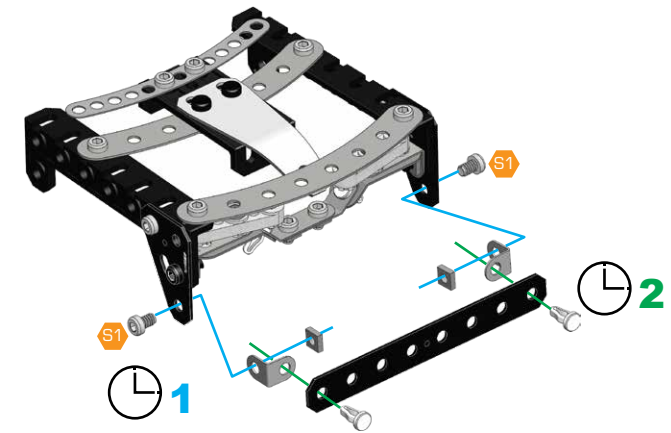
5.8 mm

9.5 mm

13

- S1 x 2
- x 2
- x 2
- x 2
- x 1

5.8 mm



14

- S1 x 2
- S3 x 2
- x 4
- x 2
- x 2
- x 2

5.8 mm

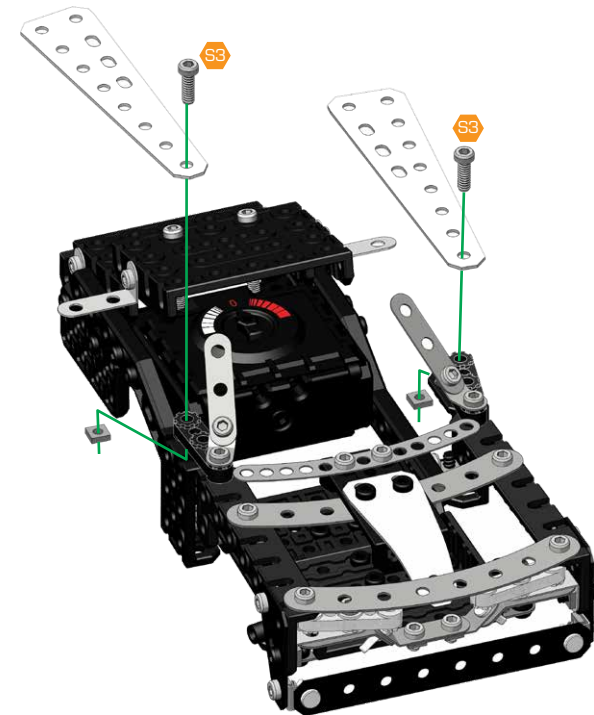
12 mm

15

9+14

- S3 x 2
- x 2
- x 2

12 mm



16

- S1 x 2
- x 2
- x 2
- x 2
- x 2

0 5 10 15 20 mm

S1 5.8 mm

17

- S1 x 1
- S2 x 1
- x 2
- x 1
- x 1

0 5 10 15 20 mm

S1 5.8 mm

S2 9.5 mm

18

- S2 x 2
- x 2
- x 2
- x 1
- x 1
- x 1

0 5 10 mm

S2 9.5 mm

19

- S2 x 2
- x 2
- x 1

0 5 10 15 20 mm

S2 9.5 mm

20

- S1: x 1
- S2: x 1
- x 1
- x 2
- x 1
- x 1
- x 1
- x 1
- x 1
- x 1

90°

S1: 5.8 mm
S2: 9.5 mm

21

- S1: x 2
- x 2
- x 1

S1: 5.8 mm

22

- S2: x 2
- x 2
- x 1
- x 1

S2: 9.5 mm

23

- S1: x 1
- S2: x 1
- x 2
- x 1
- x 1

90°

S1: 5.8 mm
S2: 9.5 mm

24

- S1 x 1
- S2 x 1
- x 1
- x 2
- x 1
- x 1
- x 1
- x 1

5.8 mm

9.5 mm

25

- S1 x 2
- S2 x 2
- x 2
- x 4
- x 1
- x 1
- x 1
- x 1

5.8 mm

9.5 mm

26

- S2 x 4
- x 4
- x 1
- x 1
- x 1

9.5 mm

27

- S2 x 2
- x 2
- x 2
- x 1
- x 2

180°

9.5 mm

