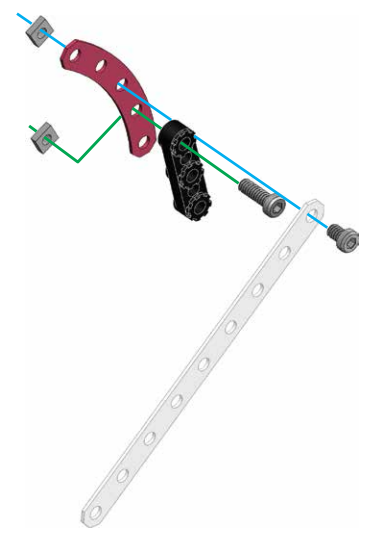


17

- S1 x 1
- S3 x 1
- x 2
- x 1
- x 1
- x 1

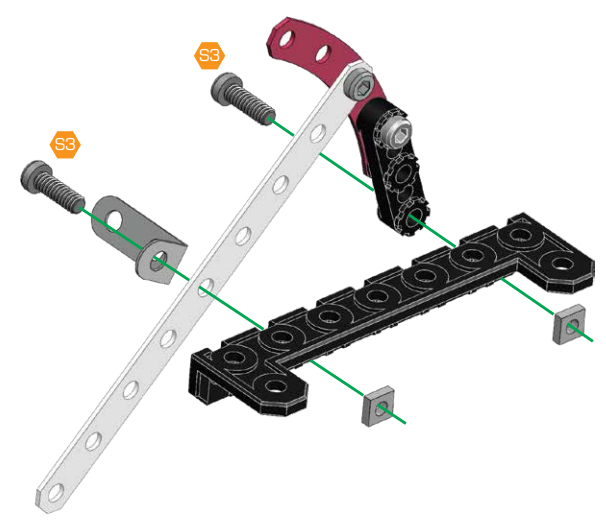
- S1 5.8 mm
- S3 12 mm



18

- S3 x 2
- x 2
- x 1
- x 1

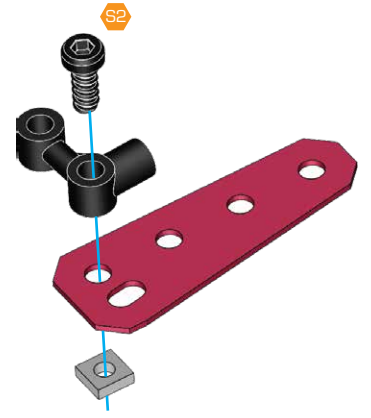
- S3 12 mm



19

- S2 x 1
- x 1
- x 1
- x 1

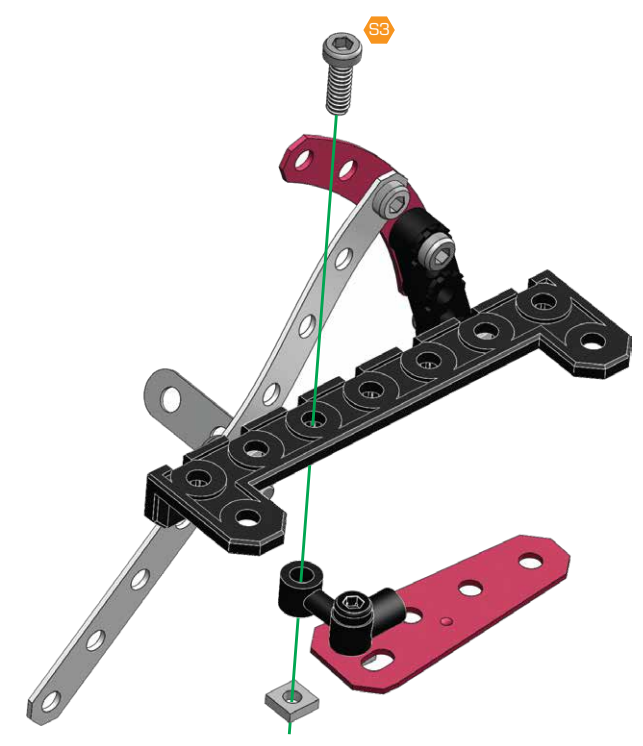
- S2 9.5 mm

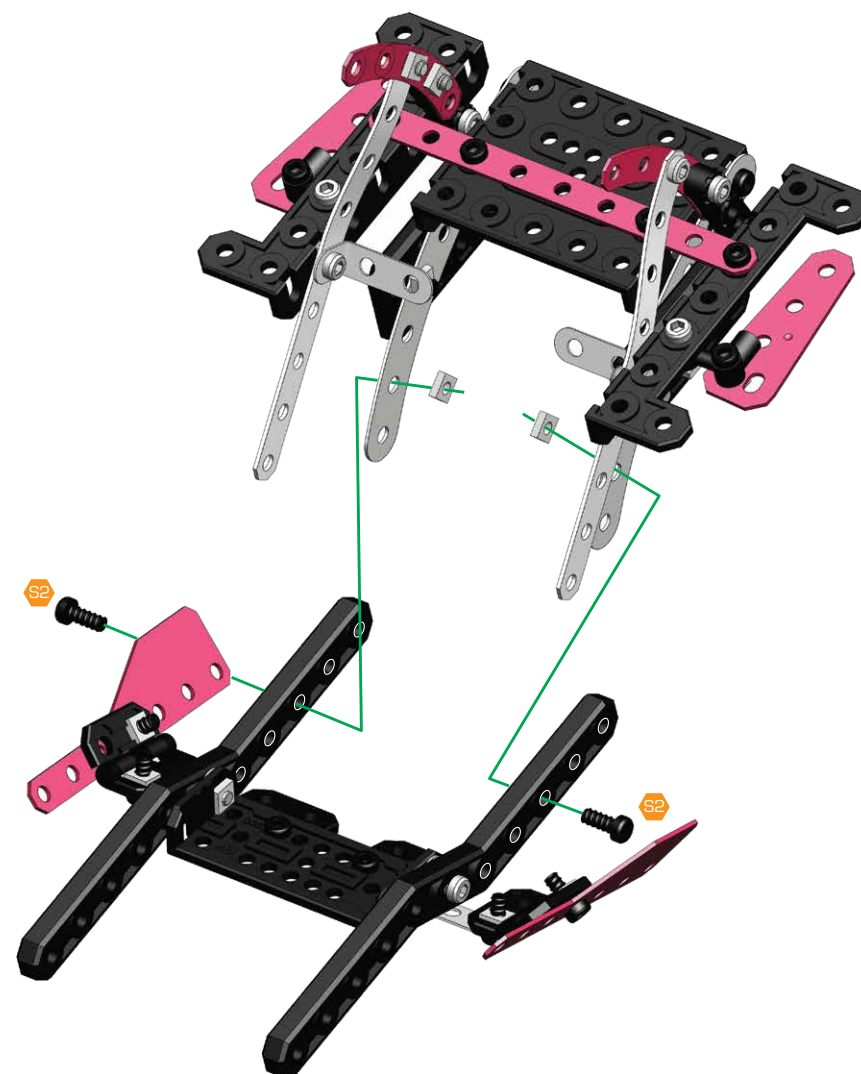
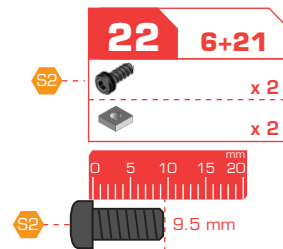
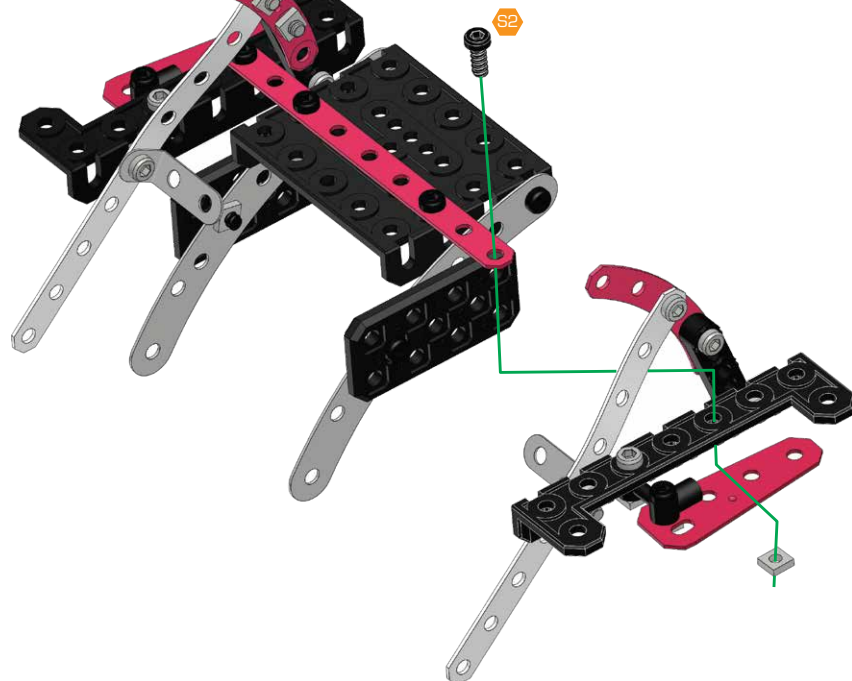
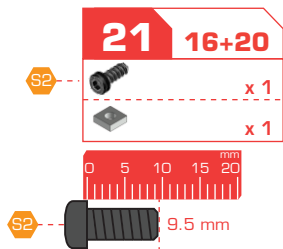


20 18+19

- S3 x 1
- x 1

- S3 12 mm

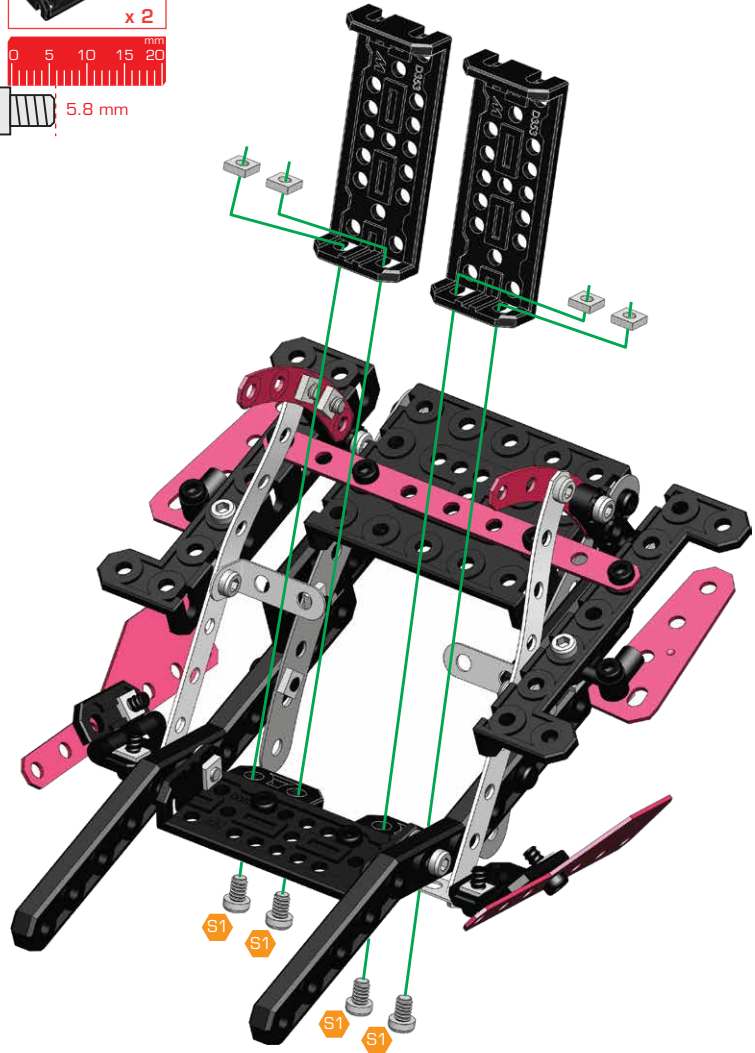




23

- S1 x 4
- x 4
- x 2

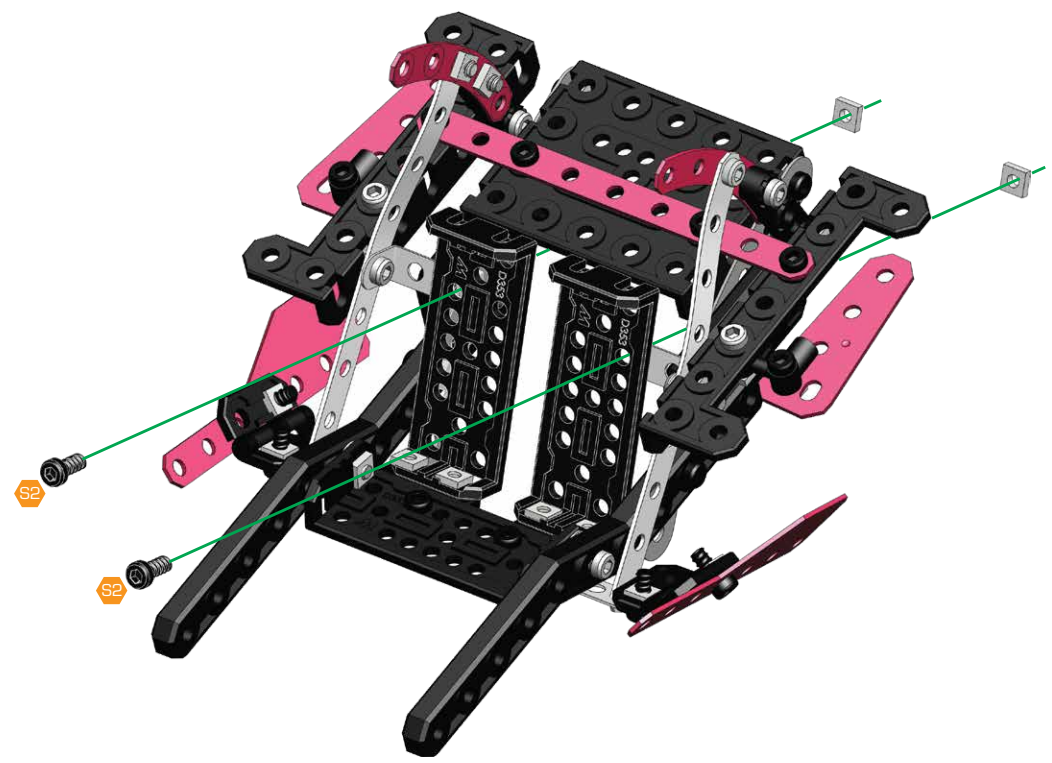
5.8 mm

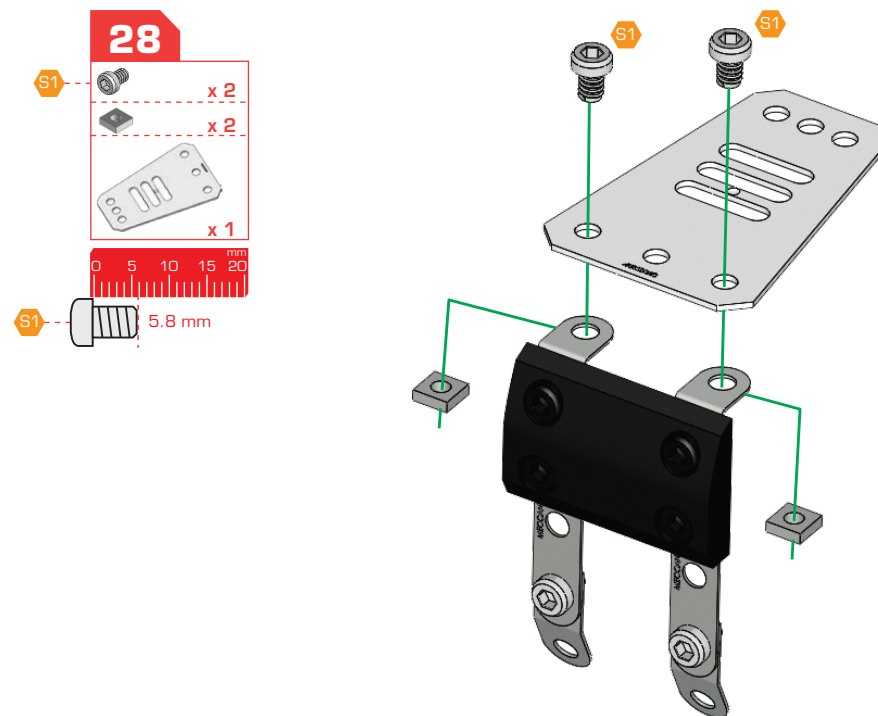
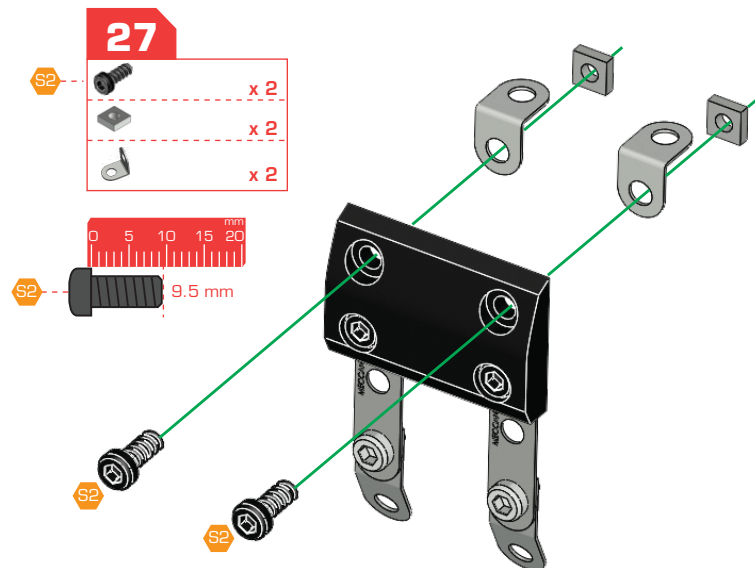
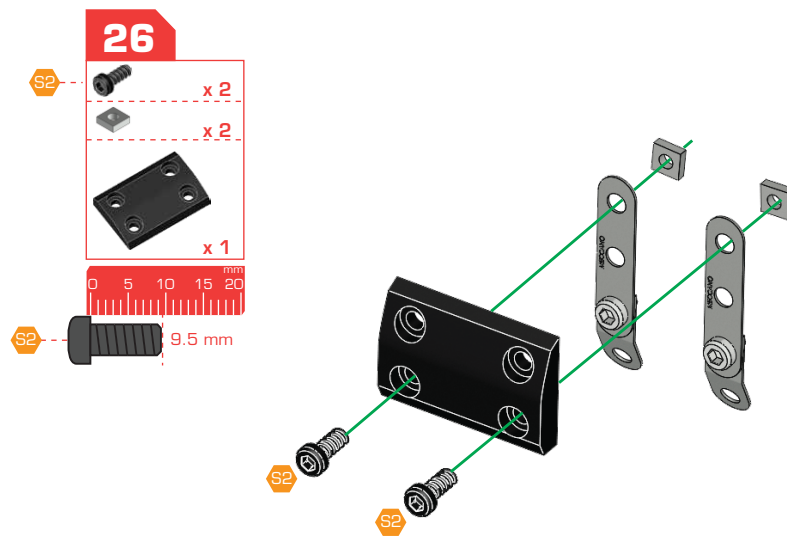
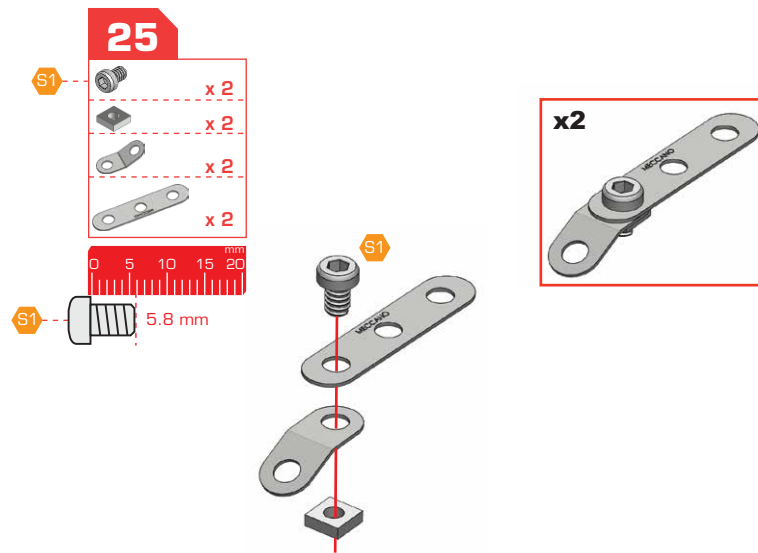


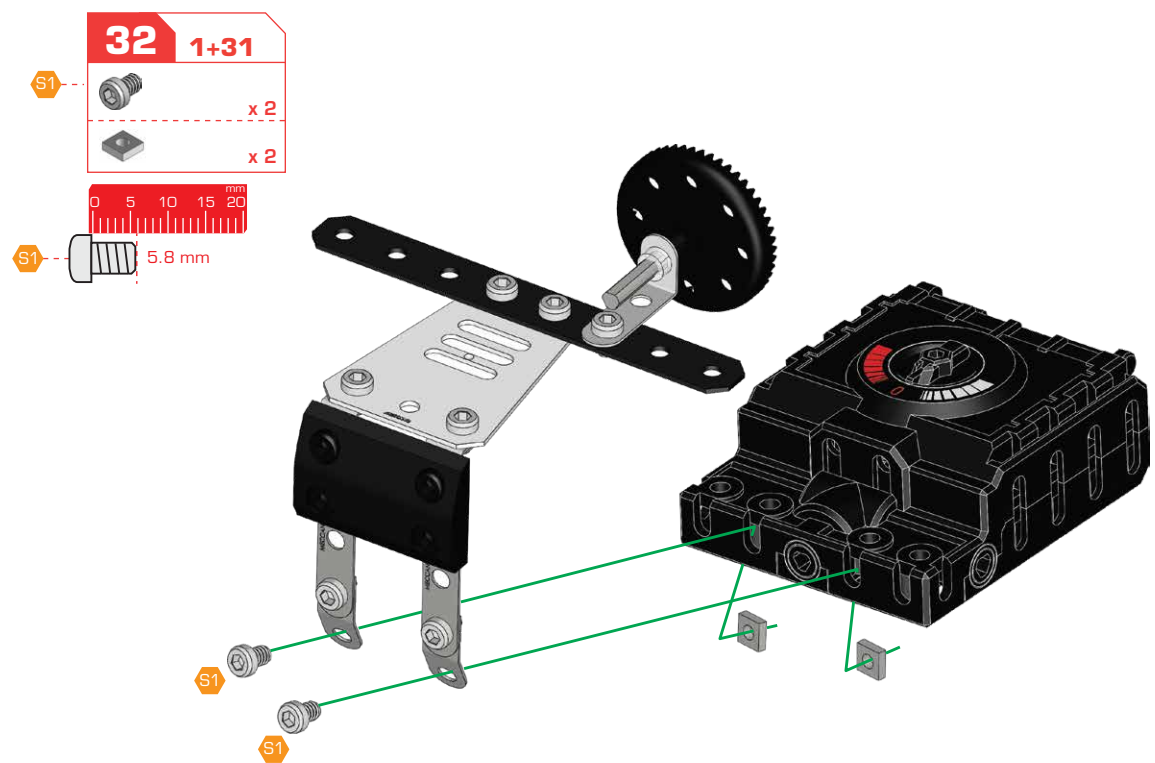
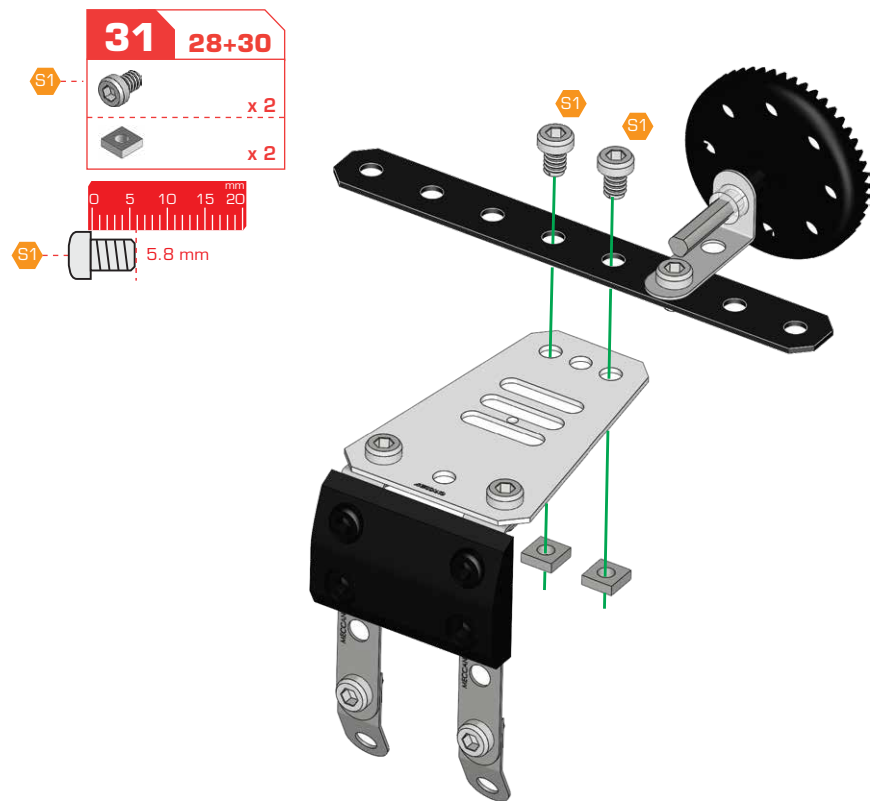
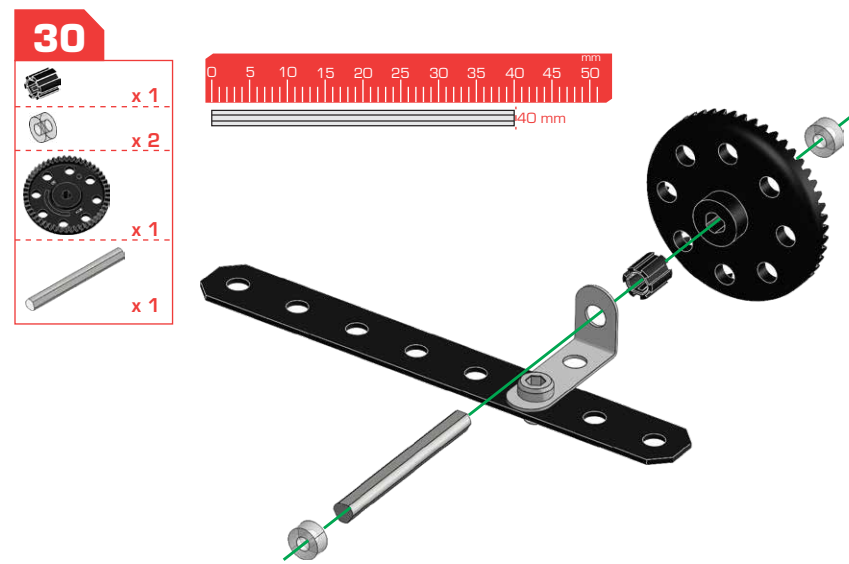
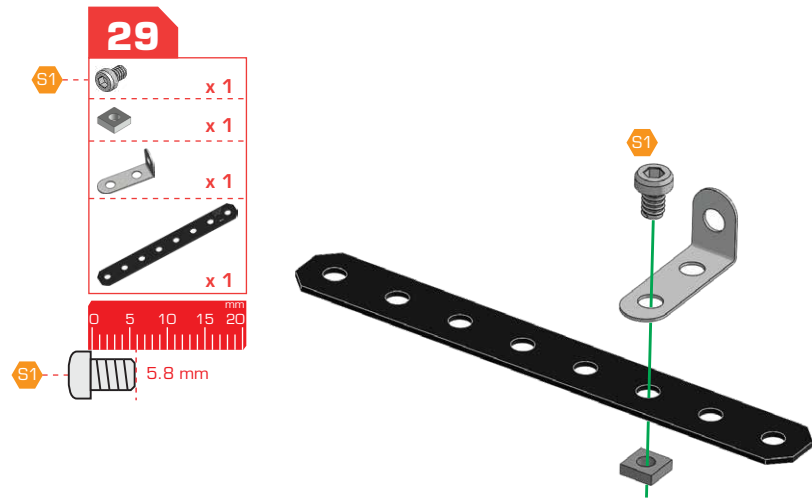
24

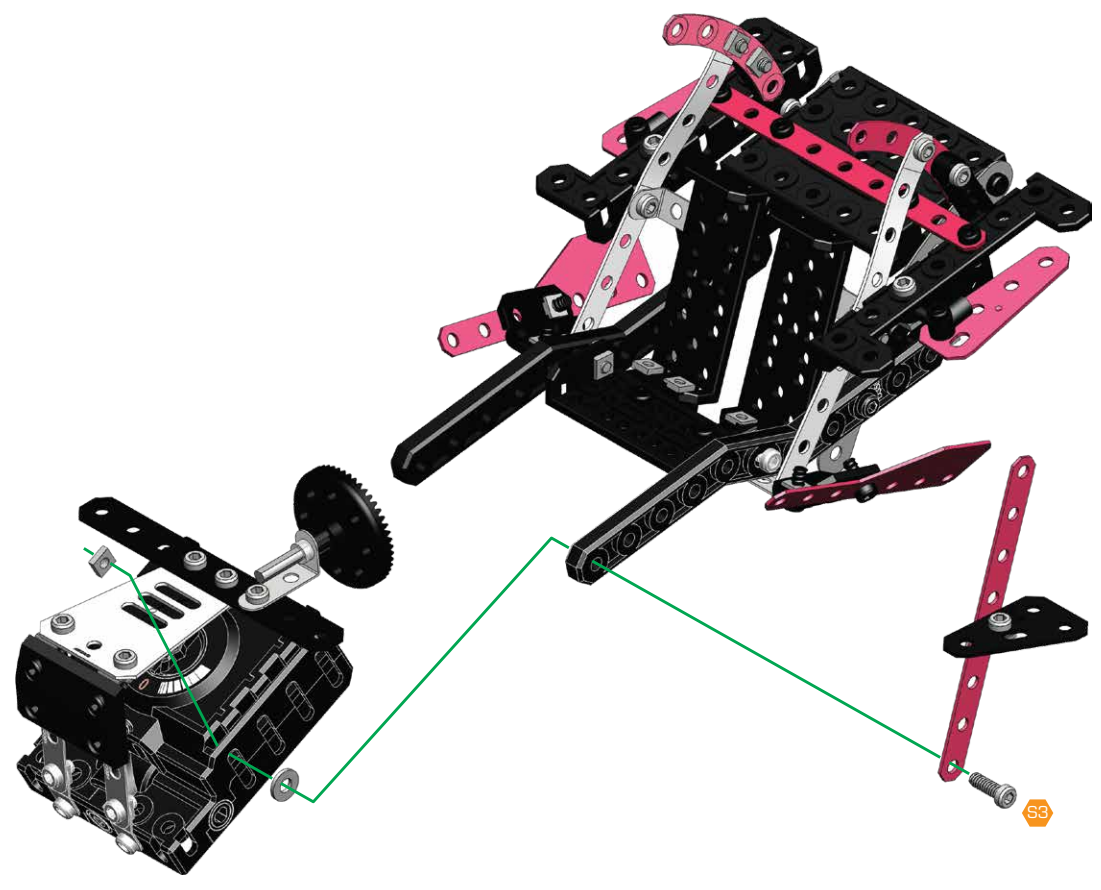
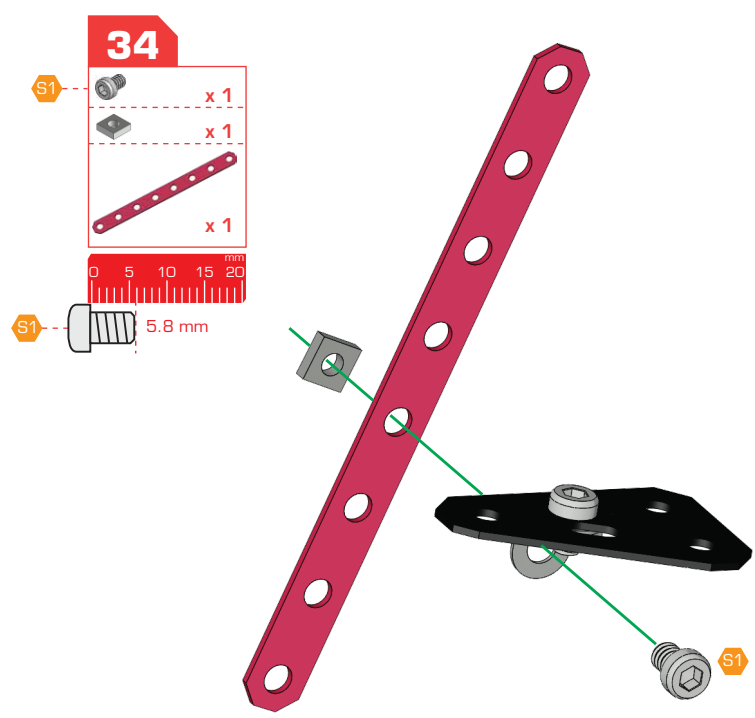
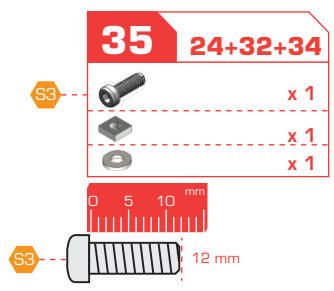
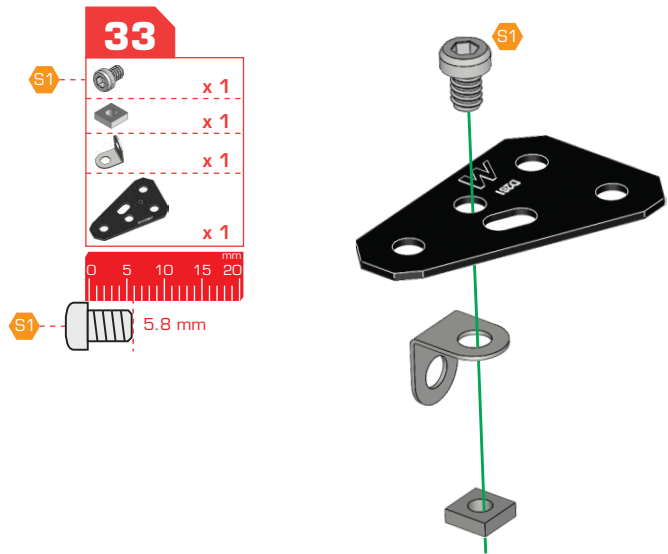
- S2 x 2
- x 2

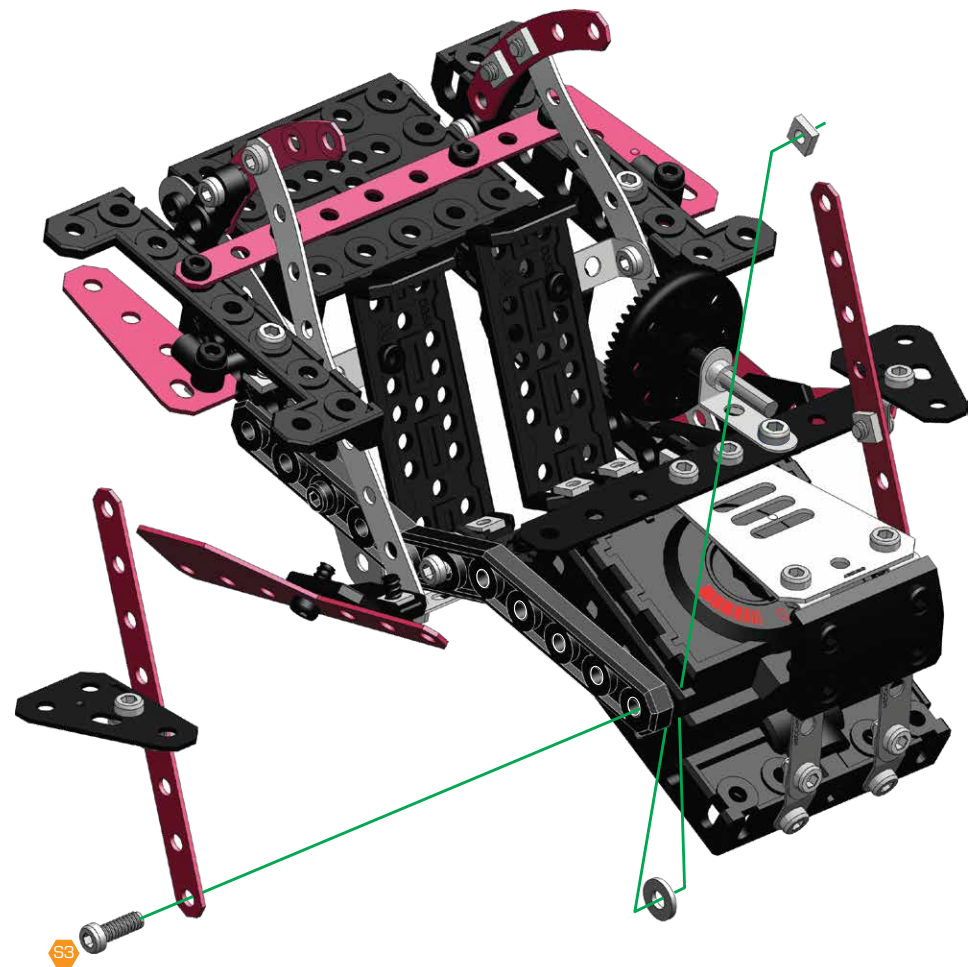
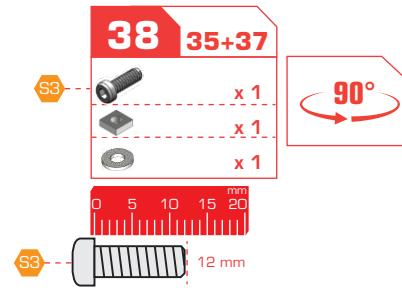
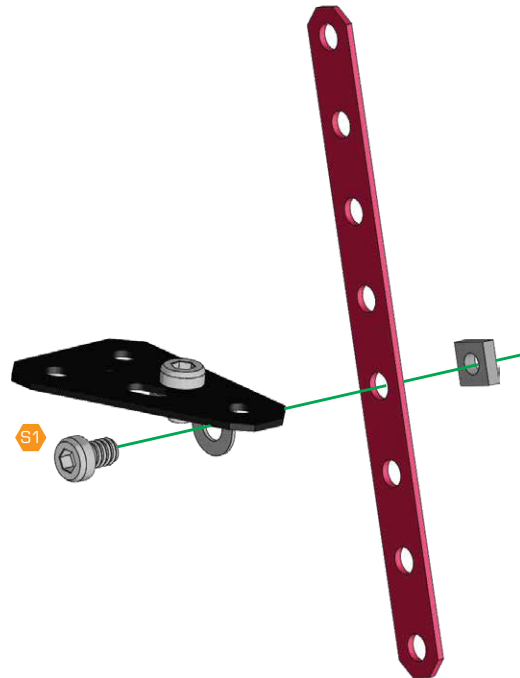
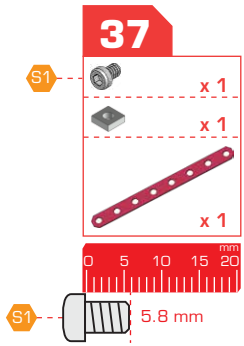
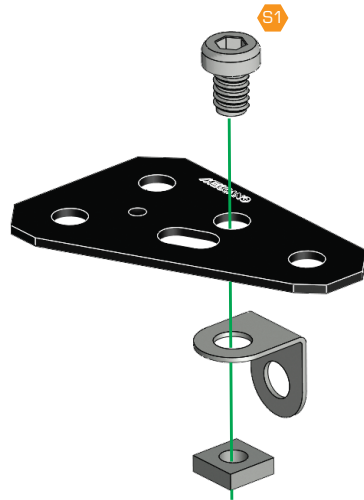
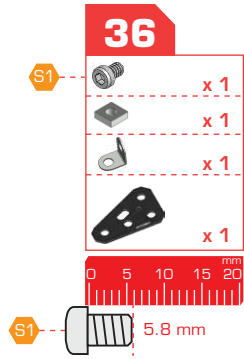
9.5 mm

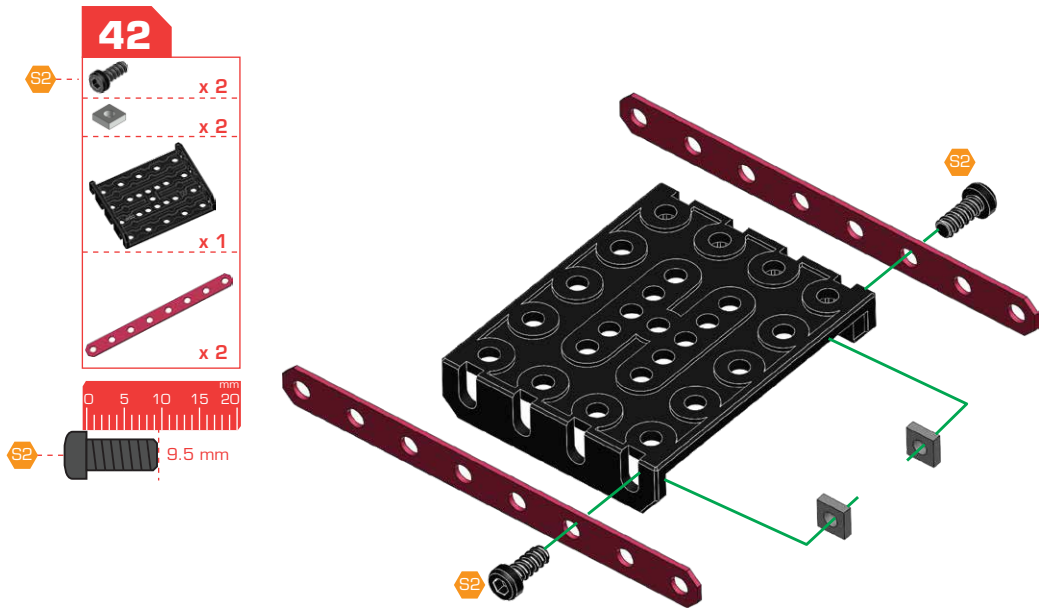
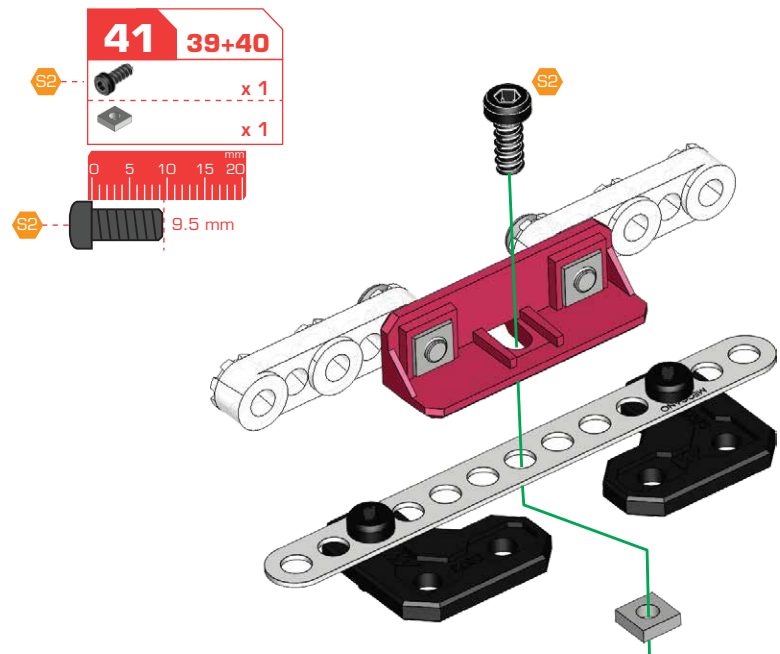
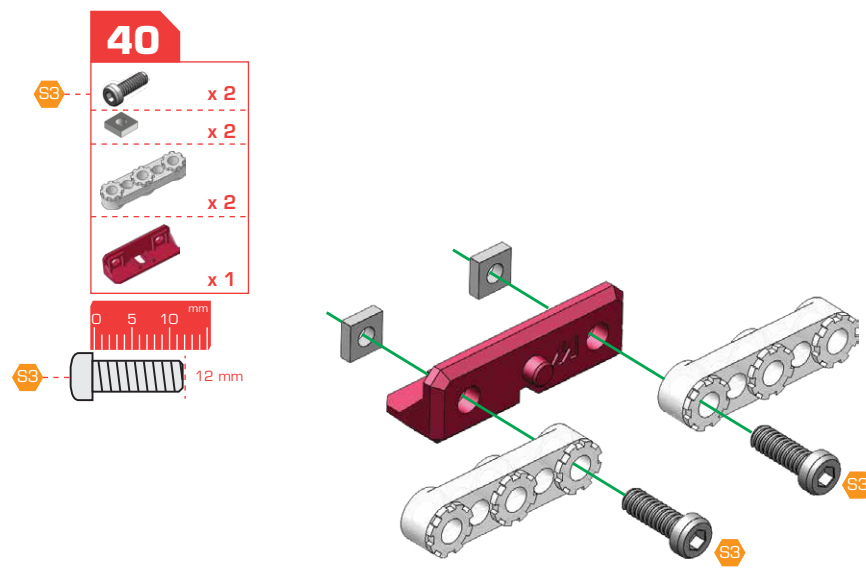
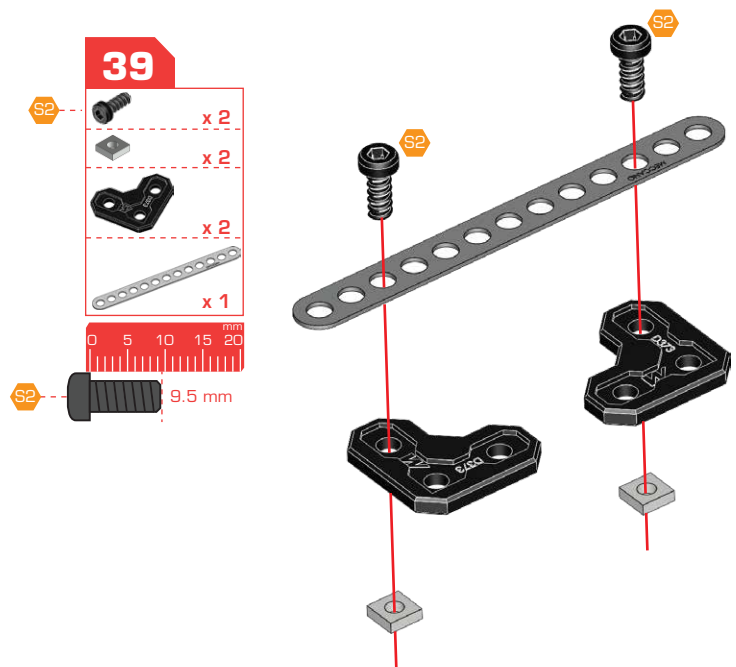












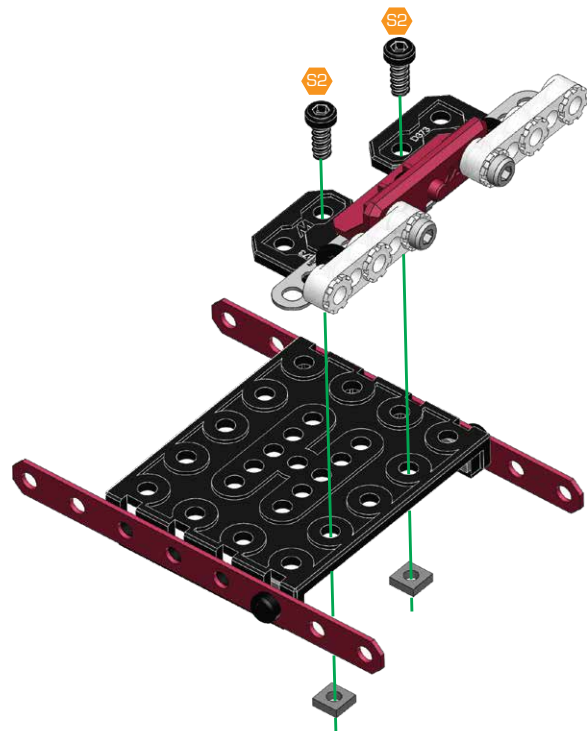
43 41+42

S2 x 2

x 2

0 5 10 15 20 mm

S2 9.5 mm



44 38+42

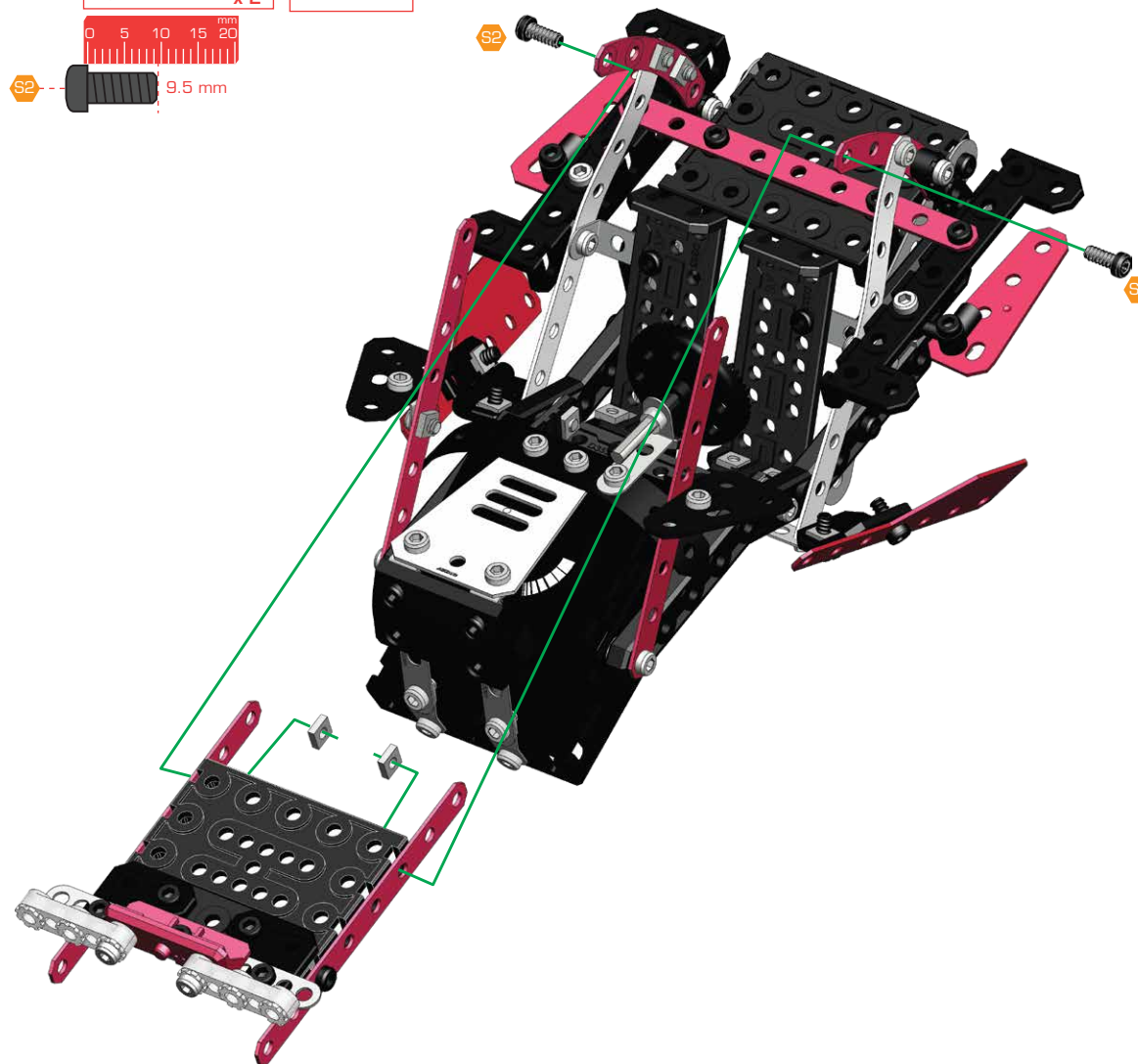
S2 x 2

x 2

0 5 10 15 20 mm

S2 9.5 mm


90°

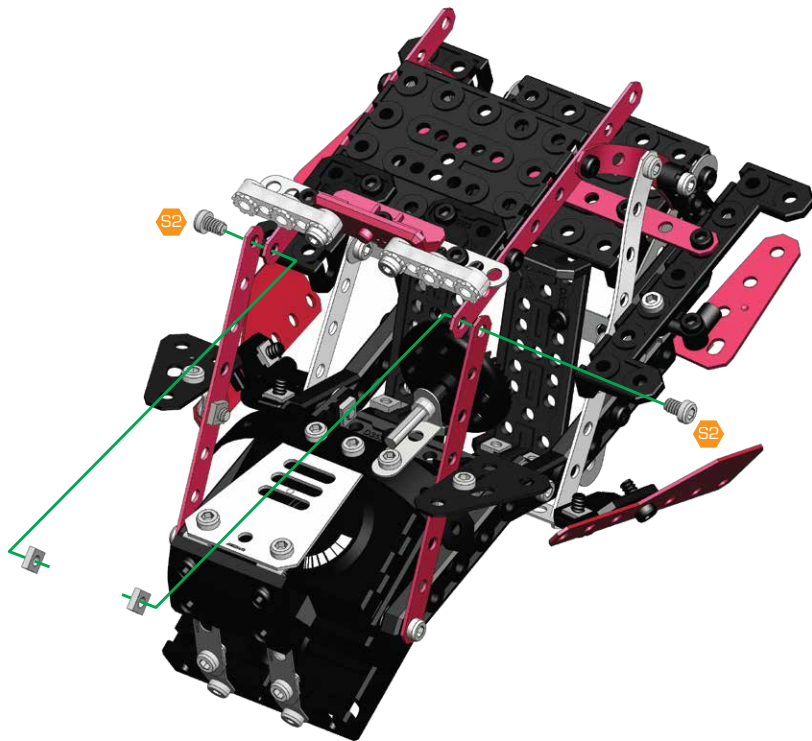


45

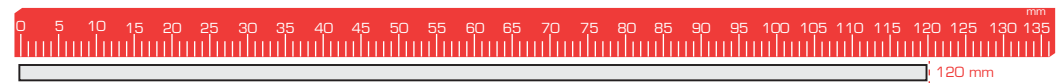
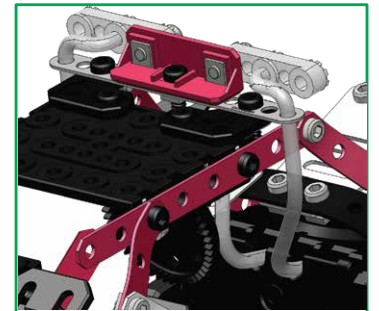
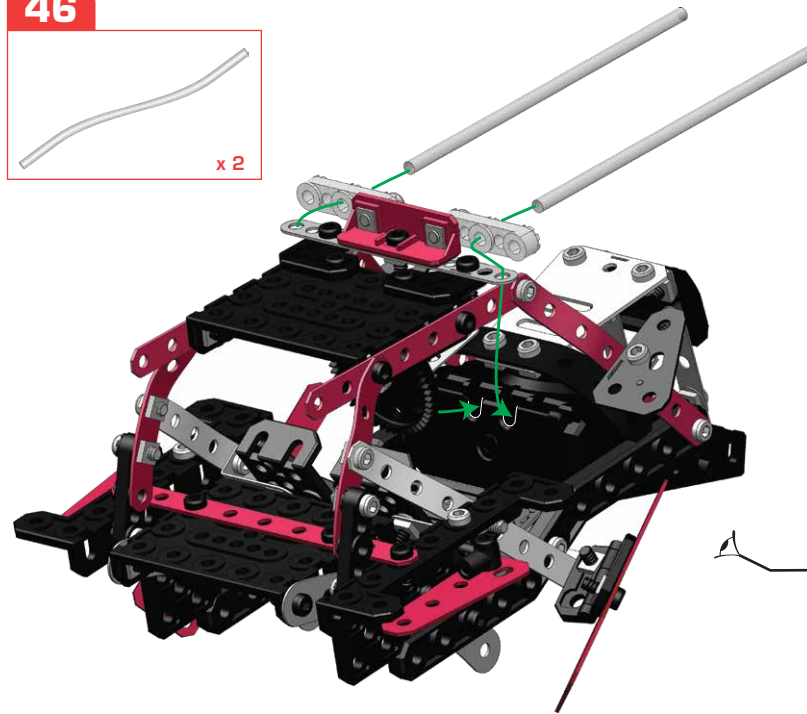
- S2  x 2
-  x 2







- S1  5.8 mm



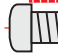
46

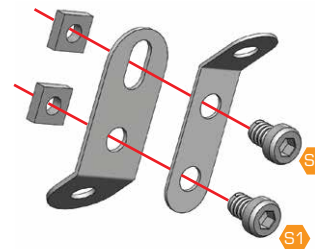
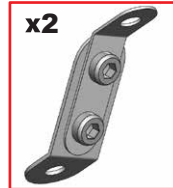


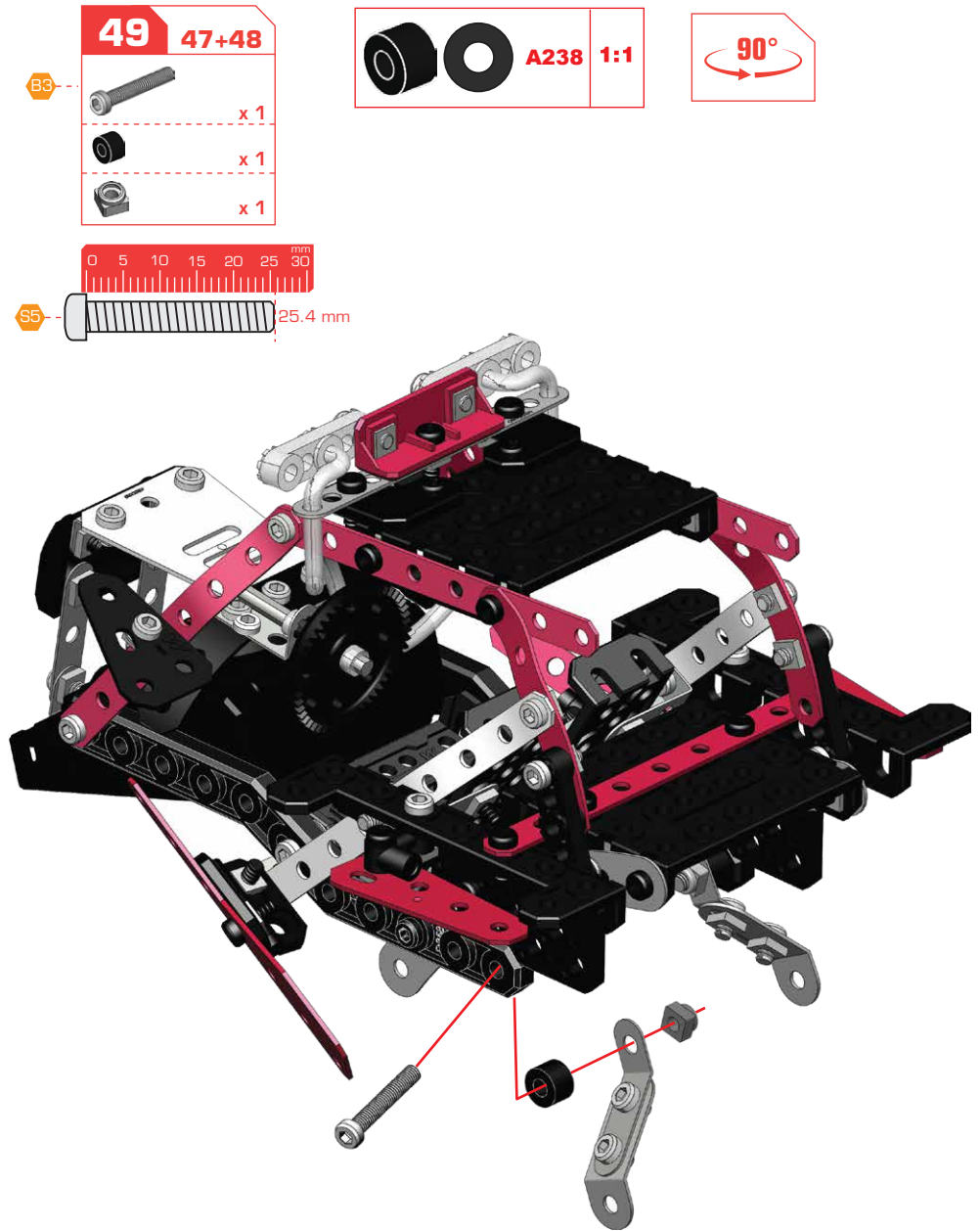
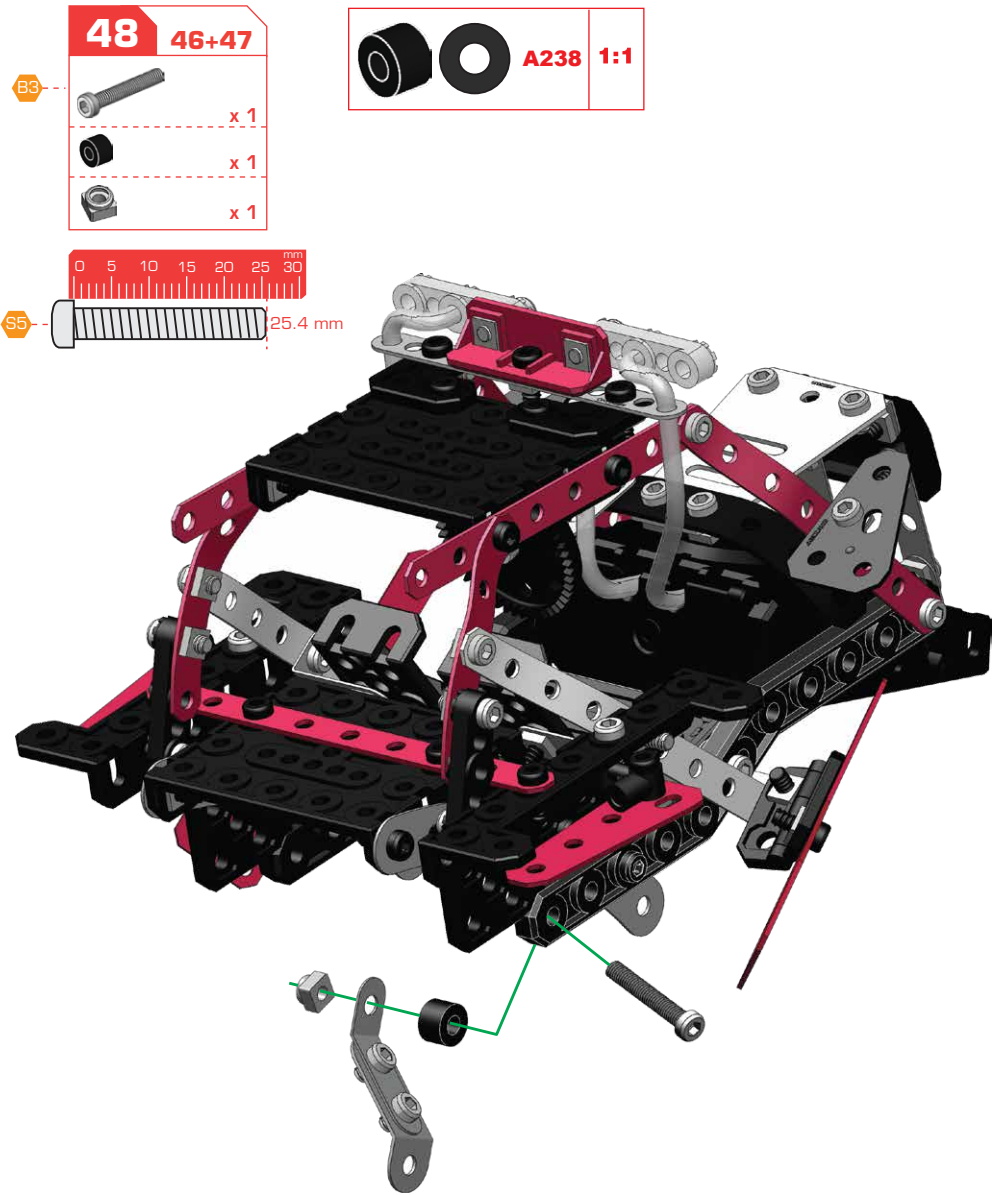
47

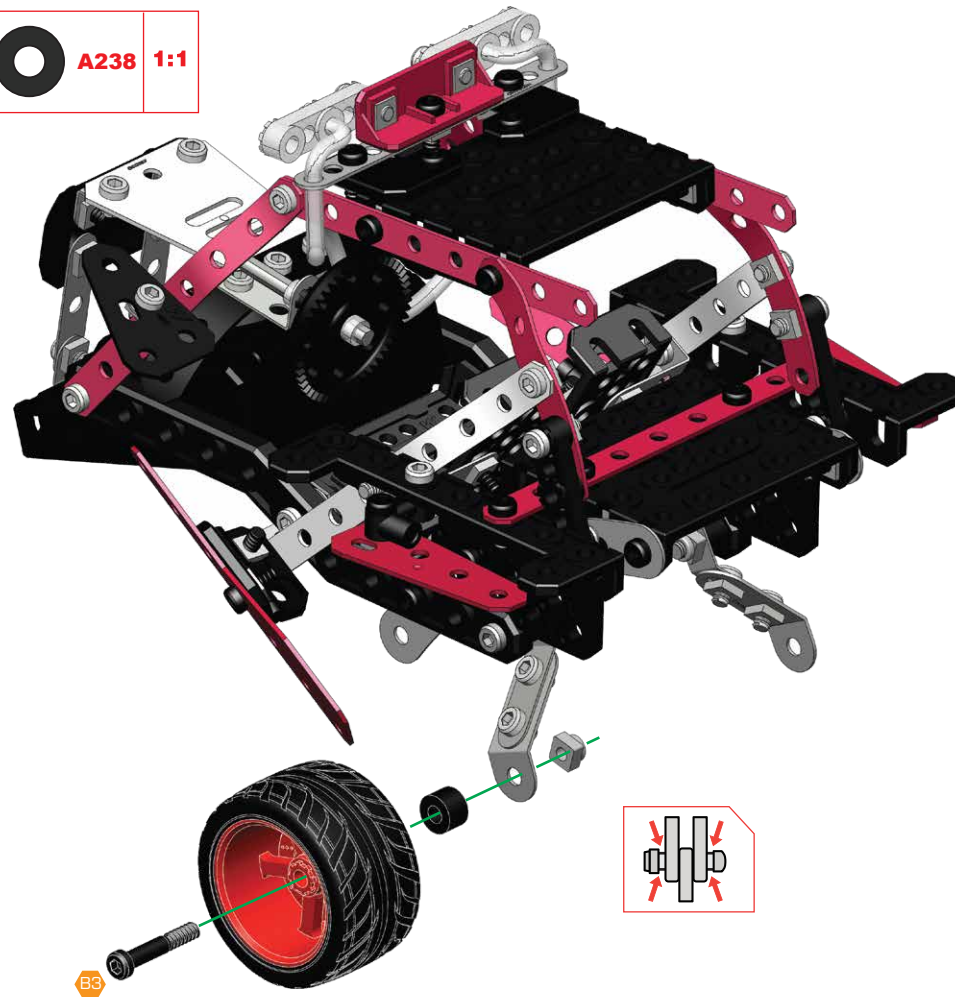
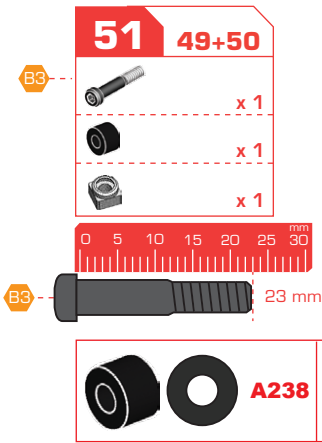
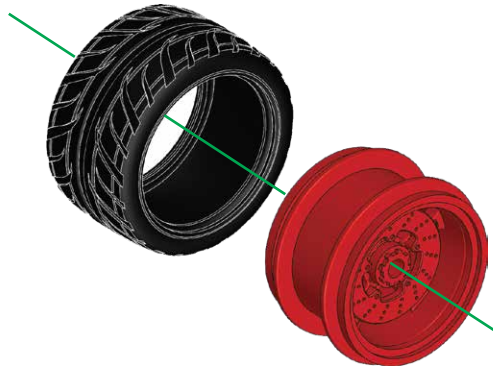
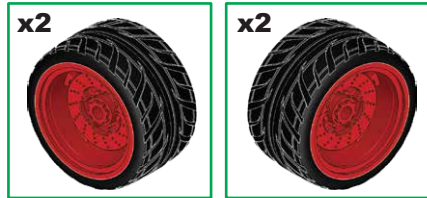
- S1  x 4
-  x 4
-  x 2
-  x 2



- S1  5.8 mm







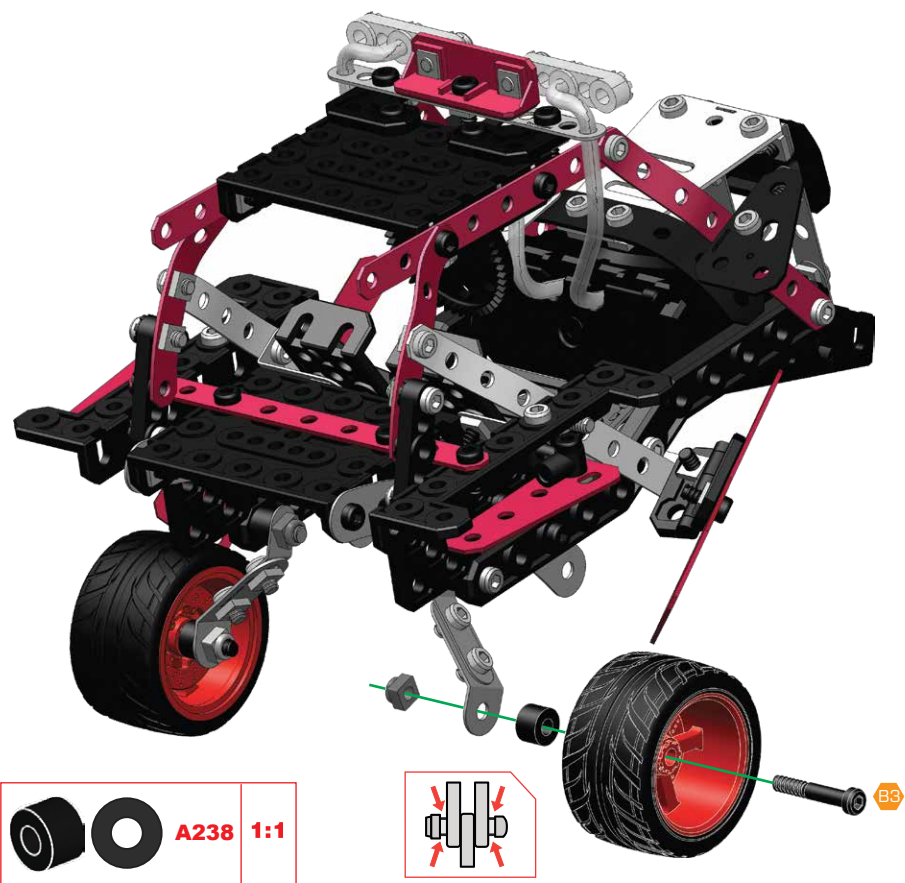
52 50+51

B3 x 1
x 1
x 1

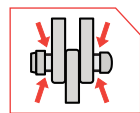
90°

0 5 10 15 20 25 30 mm

B3 23 mm



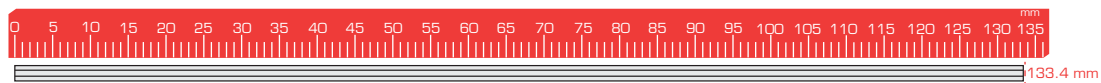
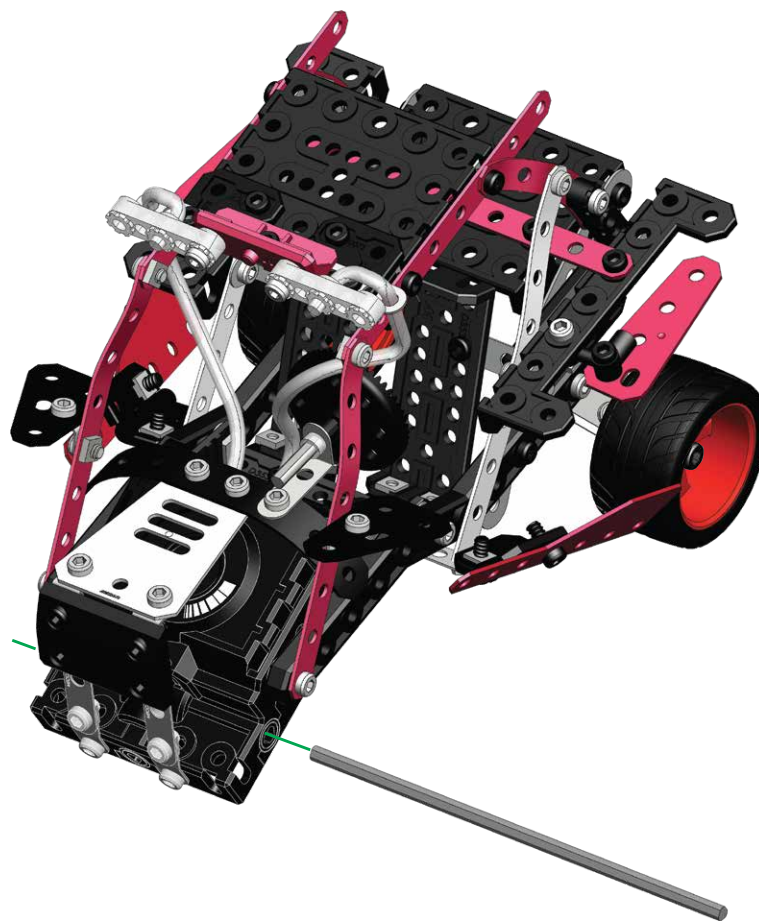
A238 1:1







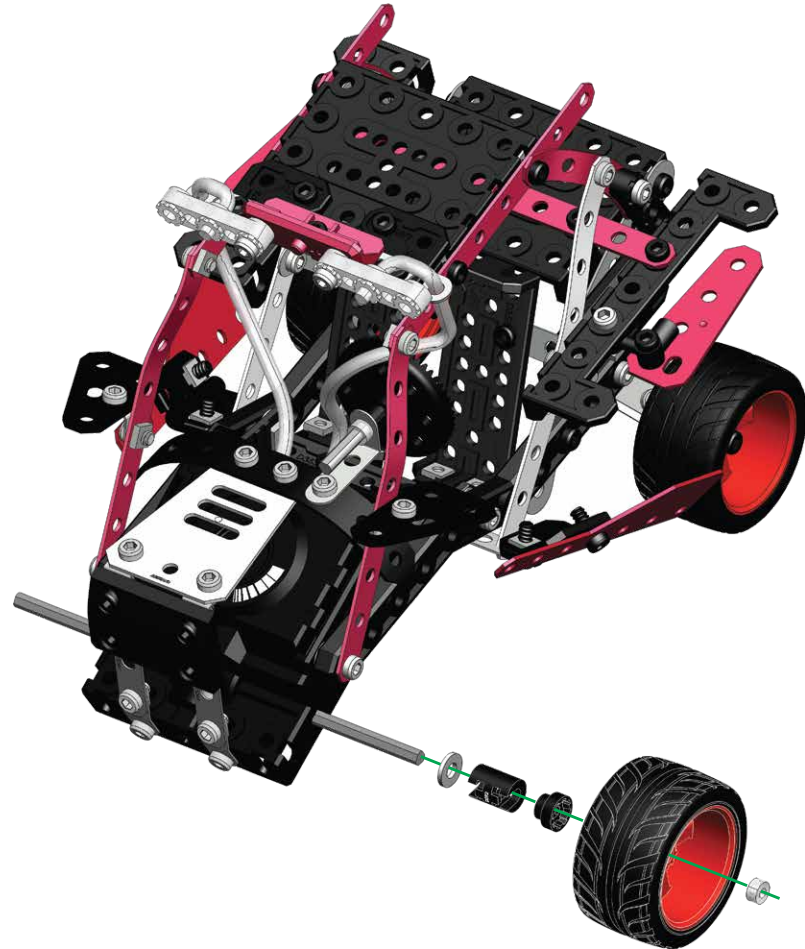
53




x 1

180°



54	50+53
	x 1
	x 1
	x 1
	x 1



55	50+54
	x 1
	x 1
	x 1
	x 1

